

**SWIMMING POOL HEAT PUMP
TYPE PV**

ORIGINAL MANUAL

**ZWEMBAD WARMTEPOMP
TYPE PV**

GEBRUIKSAANWIJZING

**SWIMMBAD-WÄRMEPUMPEN
TYPE PV**

ORIGINALBETRIEBSANLEITUNG

**THERMOPOMPE POUR PISCINE
TYPE PV**

NOTICE ORIGINALE

**VARMEPUMP TIL SWIMMINGPOOL
TYPE PV**

BETJENINGSVEJLEDNING

**VÄRMEPUMP FÖR SIMBASSÄNG
TYPE PV**

ANVÄNDARMANUAL

PART NO. TYPE

7026965	P13V/32	7026970	P24TV/32
7026966	P17V/32	7026971	P31V/32
7026967	P21V/32	7026972	P31TV/32
7026968	P21TV/32	7026973	P35V/32
7026969	P24V/32	7026974	P35TV/32


NORSUP



- EN
- NL
- DE
- FR
- DK
- SE

EN	SWIMMING POOL HEAT PUMP TYPE PV	4
	ORIGINAL MANUAL	
NL	ZWEMBAD WARMTEPOMP TYPE PV	38
	GEBRUIKSAANWIJZING	
DE	SWIMMBAD-WÄRMEPUMPEN TYPE PV	72
	ORIGINALBETRIEBSANLEITUNG	
FR	THERMOPOMPE POUR PISCINE TYPE PV	106
	NOTICE ORIGINALE	
DA	VÄRMEPUMP TIL SWIMMINGPOOL	140
	TYPE PV	
	BETJENINGSVEJLEDNING	
SV	VÄRMEPUMP FÖR SIMBASSÄNG	174
	TYPE PV	
	ANVÄNDARMANUAL	

DOWNLOAD NORSUPONE APP:



www.norsup.eu



CONTENTS

1. PREFACE	6
2. SPECIFICATION	8
2.1 Performance data of swimming pool heat pump unit	8
2.2 The dimensions for swimming pool heat pump unit	12
3. INSTALLATION AND CONNECTION	13
3.1 Installation illustration	13
3.2 Swimming pool heat pumps Location	14
3.3 How close to your pool?	14
3.4 Swimming pool heat pumps plumbing	14
3.5 Swimming pool heat pumps electrical wiring	15
3.6 Initial startup of the unit	15
4. OPERATION AND USE	16
4.1 Color screen wire controller interface introduction	16
4.2 Color screen wire controller function introduction	16
4.3 Parameter list and breakdown table	20
4.4 Interface draw in	22
5. MAINTENANCE AND INSPECTION	26
6. APPENDIX	29
6.1 Circuit diagram	29
6.2 Cable specification	36
6.3 Comparison table of refrigerant saturation temperature	36

Errors and technical modifications subject to change, reproduction as well as electronic duplication only with our written permission.

© NORSUP

Edition: 11.2020

PART NO.	TYPE		
7026965	P13V/32	7026970	P24TV/32
7026966	P17V/32	7026971	P31V/32
7026967	P21V/32	7026972	P31TV/32
7026968	P21TV/32	7026973	P35V/32
7026969	P24V/32	7026974	P35TV/32

SWIMMING POOL HEAT PUMP TYPE PV

1. PREFACE

In order to provide our customers with quality, reliability and versatility, this product has been made to strict production standards. This manual includes all the necessary information about installation, debugging, discharging and maintenance. Please read this manual carefully before you open or maintain the unit. The manufacture of this product will not be held responsible if someone is injured or the unit is damaged, as a result of improper installation, debugging, or unnecessary maintenance. It is vital that the instructions within this manual are adhered to at all times. The unit must be installed by qualified personnel.

The unit can only be repaired by qualified installer centre, personnel or an authorized dealer.

Maintenance and operation must be carried out according to the recommended time and frequency, as stated in this manual.

Use genuine standard spare parts only. Failure to comply with these recommendations will invalidate the warranty.

Swimming Pool Heat Pump Unit heats the swimming pool water and keeps the temperature constant. For split type unit. The indoor unit can be Discretely hidden or semi-hidden to suit a luxury house.

Our heat pump has following characteristics:

1 Durable

The heat exchanger is made of PVC & Titanium tube which can withstand prolonged exposure to swimming pool water.

2 Installation flexibility

The unit can be installed outdoors or indoors.

3 Quiet operation

The unit comprises an efficient rotary/ scroll compressor and a low-noise fan motor, which guarantees its quiet operation.

4 Advanced controlling

The unit includes micro-computer controlling, allowing all operation parameters to be set. Operation status can be displayed on the LCD wire controller. Remote controller can be chosen as future option.

WARNING

It is recommended that your pool filtration pump and your heat pump are wired independently. Wiring your pool pump into the heat pump will result in your filtration being switched off once the pool water has reached temperature. Only wire the pool pump through the heat pump if you have a pool pump for heating only that is independent to your pool filtration system. Do not use means to accelerate the defrosting process or to clean, Other than those recommended by the manufacturer. The appliance shall be stored in a room without continuously operating ignition sources (for example: open flames, an operating gas appliance or an operating electric heater.) Do not pierce or burn. Be aware that refrigerants may not contain an odour, Appliance shall be installed, operated and stored in a room with a floor area larger than X m².

NOTE

The manufacturer may provide other suitable examples or may provide additional information about the refrigerant odour.

· This appliance can be used by children aged from 8 years and above and persons with reduced physical, sensory or mental capabilities or lack of experience and knowledge if they have been given supervision or instruction concerning use of the appliance in a safe way and understand the hazards involved. Children shall not play with the appliance. Cleaning and user maintenance shall not be made by children without supervision.

· If the supply cord is damaged, it must be replaced by the manufacturer, its service agent or similarly qualified persons in order to avoid a hazard.

· The appliance shall be installed in accordance with national wiring regulations.

· Do not operate your air conditioner in a wet room such as a bathroom or laundry room.

· Before obtaining access to terminals, all supply circuits must be disconnected.

SWIMMING POOL HEAT PUMP TYPE PV

· An all-pole disconnection device which has at least 3mm clearances in all poles, and have a leakage current that may exceed 10mA, the residual current device (RCD) having a rated residual operating current not exceeding 30mA, and disconnection must be incorporated in the fixed wiring in accordance with the wiring rules.

· Do not use means to accelerate the defrosting process or to clean, other than those recommended by the manufacturer.

· The appliance shall be stored in a room without continuously operating ignition sources (for example: open flames, an operating gas appliance or an operating electric heater.)

· Do not pierce or burn.

· Appliance shall be installed, operated and stored in a room with a floor area larger than X m² Be aware that refrigerants may not contain an odour. The installation of pipe-work shall be kept to a minimum X m² Spaces where refrigerant pipes shall be compliance with national gas regulations. Servicing shall be performed only as recommended by the manufacturer. The appliance shall be stored in a well-ventilated area where the room size corresponds to the room area as specified for operation. All working procedure that affects safety means shall only be carried by competent persons.

· Transport of equipment containing flammable refrigerants Compliance with the transport regulations Marking of equipment using signs Compliance with local regulations Disposal of equipment using flammable refrigerants Compliance with national regulations Storage of equipment/appliances The storage of equipment should be in accordance with the manufacturer's instructions. Storage of packed (unsold) equipment Storage package protection should be constructed such that mechanical damage to the equipment inside the package will not cause a leak of the refrigerant charge. The maximum number of pieces of equipment permitted to be stored together will be determined by local regulations.

CAUTION & WARNING

1. The unit can only be repaired by qualified installer centre personnel or an authorized dealer (for Europe market).
2. This appliance is not intended for use by persons (including children) with reduced physical sensory or mental capabilities, or lack of experience and knowledge, unless they have been given supervision or instruction concerning use of the appliance by a person responsible for their safety. (for Europe market) Children should be supervised to ensure that they do not play with the appliance.
3. Please make sure that the unit and power connection have good earthing, otherwise may cause electrical shock.
4. If the supply cord is damaged, it must be replaced by the manufacturer or our service agent or similarly qualified person in order to avoid a hazard.
5. Directive 2002/96/EC (WEEE): The symbol depicting a crossed-out waste bin that is underneath the appliance indicates that this product, at the end of its useful life, must be handled separately from domestic waste, must be taken to a recycling centre for electric and electronic devices or handed back to the dealer when purchasing an equivalent appliance.
6. Directive 2002/95/EC (RoHS): This product is compliant with directive 2002/95/EC (RoHS) concerning restrictions for the use of harmful substances in electric and electronic devices.
7. The unit CANNOT be installed near the flammable gas. Once there is any leakage of the gas, fire can be occur.
8. Make sure that there is circuit breaker for the unit, lack of circuit breaker can lead to electrical shock or fire.
9. The heat pump located inside the unit is equipped with an over-load protection system. It does not allow for the unit to start for at least 3 minutes from a previous stoppage.
10. The unit can only be repaired by the qualified personnel of an installer center or an authorized dealer. (for North America market)
11. Installation must be performed in accordance with the NEC/CEC by authorized person only. (for North America market)
12. USE SUPPLY WIRES SUITABLE FOR 75°C .
13. Caution: Single wall heat exchanger, not suitable for potable water connection.

SWIMMING POOL HEAT PUMP TYPE PV

2. SPECIFICATION

2.1 PERFORMANCE DATA OF SWIMMING POOL HEAT PUMP UNIT

*** REFRIGERANT: R32

UNIT		P13V/32	P17V/32	P21V/32
Part nr.		7026965	7026966	7026967
Heating capacity (A27/W26)	kW	3.7-13.5	3.4-17.0	6.2-21.3
	Btu/h	12580-45900	11560-57800	21080-72420
COP		13.4-3.7	13.0-6.6	15.6-7.3
Heating capacity (A15/W26)	kW	2.7-10.0	2.7-12.7	6.5-16.3
	Btu/h	9180-34000	9180-43180	22100-55420
COP		6.2-5.0	6.8-5.0	7.0-5.4
Heating power input	kW	0.23-2.9	0.31-3.54	0.43-4.55
Power Supply		220-240V /50Hz	220-240V /50Hz	220-240V /50Hz
Compressor Quantity		1	1	1
Compressor		rotary	rotary	rotary
Fan Number		1	1	1
Noise	dB(A)	44-54	46-56	48-56
Water Connection	mm	50	50	50
Water Flow Volume	m ³ /h	4.2	5.5	7
Water Pressure Drop(max)	kPa	5	9	16
Unit Net Dimensions(L/W/H)	mm	See the drawing of the units		
Unit Ship Dimensions(L/W/H)	mm	See package lable		
Net Weight	kg	see nameplate		
Shipping Weight	kg	see package label		

Heating:

Outdoor air temp: 27°C/24.3°C, Inlet water temp: 26°C
Outdoor air temp: 15°C/12°C, Inlet water temp: 26°C

Operating range:

Ambient temperature: -15 43°C
Water temperature: 9-40°C

SWIMMING POOL HEAT PUMP TYPE PV

*** REFRIGERANT: R32

UNIT		P21TV/32	P24V/32	P24TV/32
Part nr.		7026968	7026969	7026970
Heating capacity (A27/W26)	kW	6.3-21.1	5.6-24.9	5.5-24.3
	Btu/h	21420-71740	19040-84600	18700-82620
COP		14.8-7.6	15.2-6.4	14.2-6.6
Heating capacity (A15/W26)	kW	4.5-16.3	4.4-18.7	4.1-18.8
	Btu/h	15300-55420	14960-63580	13940-63920
COP		7.4-5.6	7.1-5.1	7.1-5.1
Heating power input	kW	0.43-5.2	0.47-5.3	0.47-5.7
Power Supply		380V/3N /50Hz	220-240V /50Hz	380V/3N /50Hz
Compressor Quantity		1	1	1
Compressor		rotary	rotary	rotary
Fan Number		1	1	1
Noise	dB(A)	48-56	50-56	50-56
Water Connection	mm	50	50	50
Water Flow Volume	m ³ /h	7.1	9.0	9.0
Water Pressure Drop(max)	kPa	16	16	16
Unit Net Dimensions(L/W/H)	mm	See the drawing of the units		
Unit Ship Dimensions(L/W/H)	mm	See package lable		
Net Weight	kg	see nameplate		
Shipping Weight	kg	see package label		

Heating:

Outdoor air temp: 27°C/24.3°C, Inlet water temp: 26°C
Outdoor air temp: 15°C/12°C, Inlet water temp: 26°C

Operating range:

Ambient temperature: -15 43°C
Water temperature: 9-40°C

SWIMMING POOL HEAT PUMP TYPE PV

*** REFRIGERANT: R32

UNIT		P31V/32	P31TV/32	P35TV/32
Part nr.		7026971	7026972	7026974
Heating capacity (A27/W26)	kW	8.5-30.6	8.8-31.2	7.8-35.5
	Btu/h	28900-104040	29920-106080	26520-120700
COP		14.3-6.3	15.7-6.1	12.2-5.2
Heating capacity (A15/W26)	kW	6.4-23.8	6.5-23.6	6.4-27.5
	Btu/h	21760-80920	22100-80240	21080-93500
COP		7.8-5.0	8.2-5.0	6.8-4.1
Heating power input	kW	0.53-7.0	0.55-7.0	0.66-8.95
Power Supply		220-240V/50Hz	380V/3N /50Hz	220-240V /50Hz
Compressor Quantity		1	1	1
Compressor		rotary	rotary	rotary
Fan Number		1	1	1
Noise	dB(A)	50-57	50-57	53-59
Water Connection	mm	50	50	50
Water Flow Volume	m ³ /h	12.5	12.5	14.6
Water Pressure Drop(max)	kPa	23	23	23
Unit Net Dimensions(L/W/H)	mm	See the drawing of the units		
Unit Ship Dimensions(L/W/H)	mm	See package lable		
Net Weight	kg	see nameplate		
Shipping Weight	kg	see package label		

Heating:

Outdoor air temp: 27°C/24.3°C, Inlet water temp: 26°C
 Outdoor air temp: 15°C/12°C, Inlet water temp:26°C

Operating range:

Ambient temperature: -15 43°C
 Water temperature: 9-40°C

SWIMMING POOL HEAT PUMP TYPE PV

*** REFRIGERANT: R32

UNIT		P35V/32
Part nr.		7026973
Heating capacity (A27/W26)	kW	7.1-35.0
	Btu/h	24140-119000
COP		11.4-5.1
Heating capacity (A15/W26)	kW	6.4-27.5
	Btu/h	21760-93500
COP		6.5-4.1
Heating power input	kW	0.64-8.6
Power Supply		220-240V /50Hz
Compressor Quantity		1
Compressor		rotary
Fan Number		1
Noise	dB(A)	53-59
Water Connection	mm	50
Water Flow Volume	m ³ /h	14.6
Water Pressure Drop(max)	kPa	23
Unit Net Dimensions(L/W/H)	mm	See the drawing of the units
Unit Ship Dimensions(L/W/H)	mm	See package lable
Net Weight	kg	see nameplate
Shipping Weight	kg	see package label

Heating:

Outdoor air temp: 27°C/24.3°C, Inlet water temp: 26°C
 Outdoor air temp: 15°C/12°C, Inlet water temp: 26°C

Operating range:

Ambient temperature: -15 43°C
 Water temperature: 9-40°C

EN

NL

DE

FR

DK

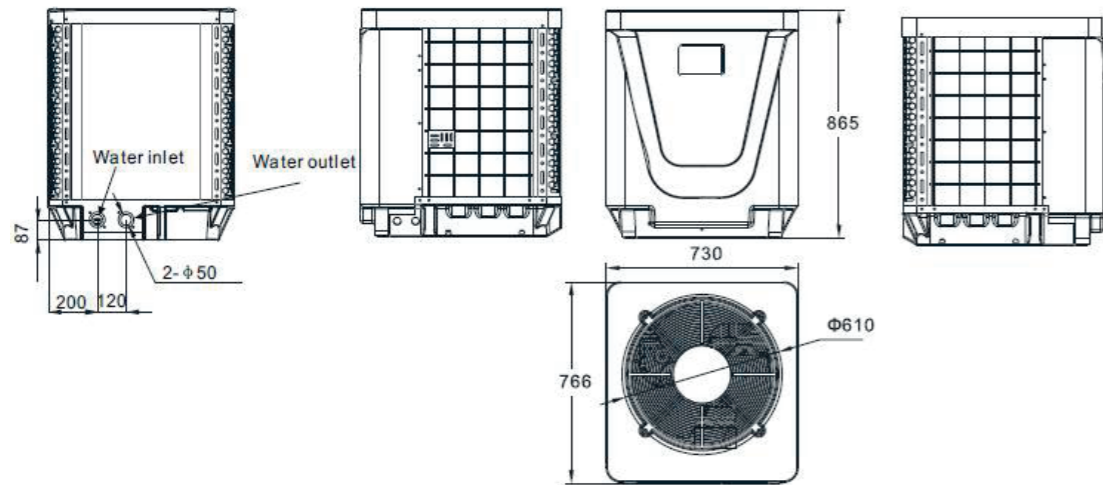
SE

SWIMMING POOL HEAT PUMP TYPE PV

2.2 THE DIMENSIONS FOR SWIMMING POOL HEAT PUMP UNIT

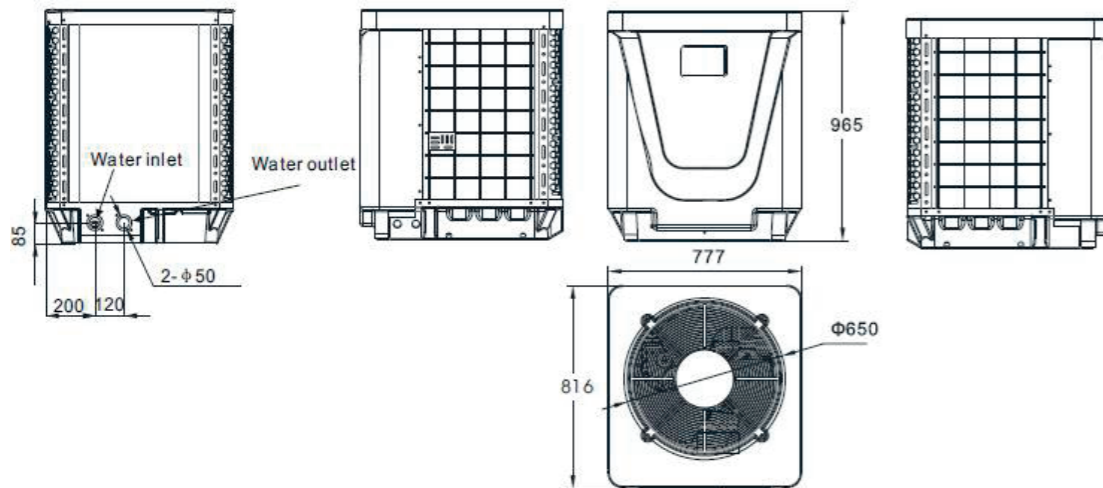
UNIT: P13V/32 /P17V/32

Unit mm



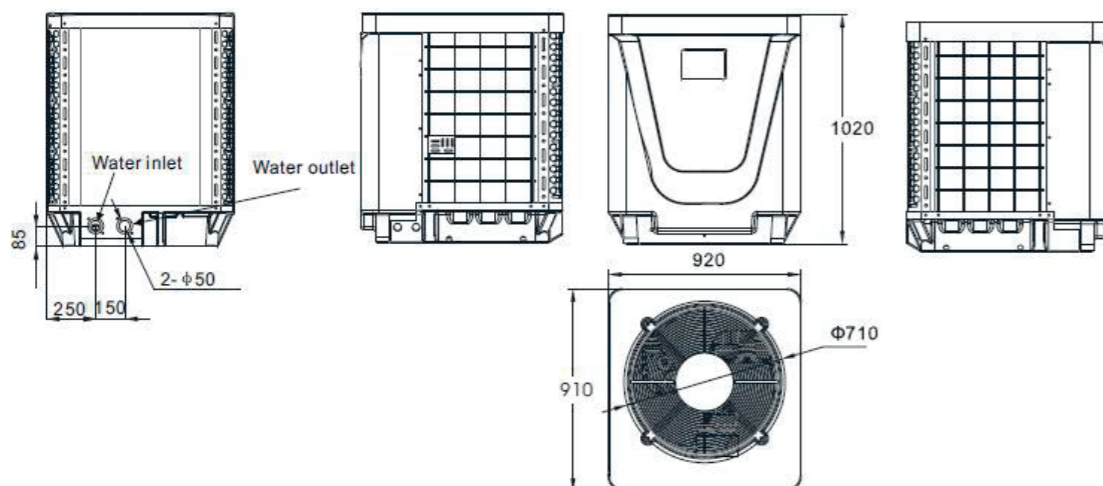
UNIT: P21V/32 /P21TV/32/P24V/32 /P24TV/32

Unit mm



UNIT: P31V/32 /P31TV/32/P35V/32/P35TV/32

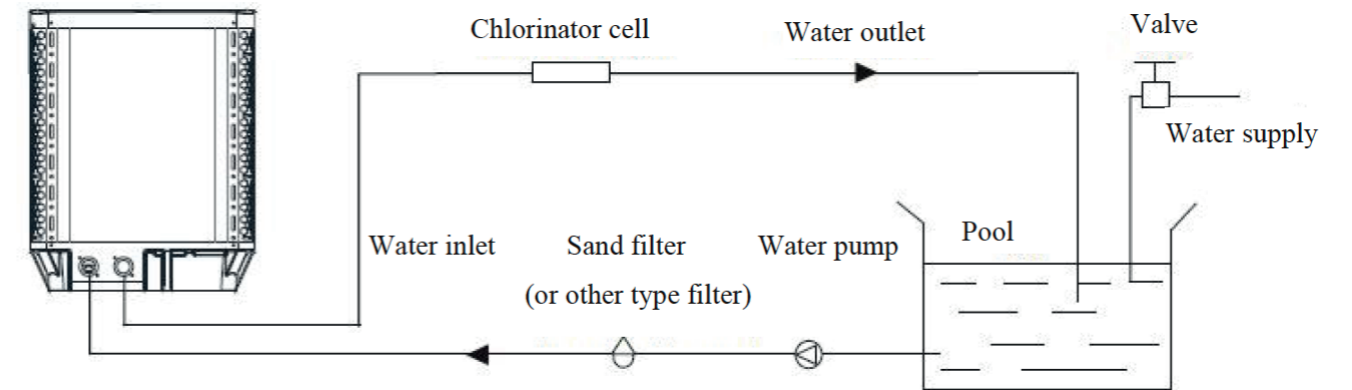
Unit mm



SWIMMING POOL HEAT PUMP TYPE PV

3. INSTALLATION AND CONNECTION

3.1 INSTALLATION ILLUSTRATION



Installation items

The factory only provides the main unit and the water unit; the other items in the illustration are necessary spare parts for the water system, that provided by users or the installer.

ATTENTION



Please follow these steps when using for the first time

1. Open valve and charge water.
2. Make sure that the pump and the water-in pipe have been filled with water.
3. Close the valve and start the unit.

Attention

It is necessary that the water-in pipe is higher than the pool surface.

The schematic diagram is for reference only. Please check the water inlet/outlet label on the heat pump while plumbing installation.

The controller is mounted on the wall.

SWIMMING POOL HEAT PUMP TYPE PV

3.2 SWIMMING POOL HEAT PUMPS LOCATION

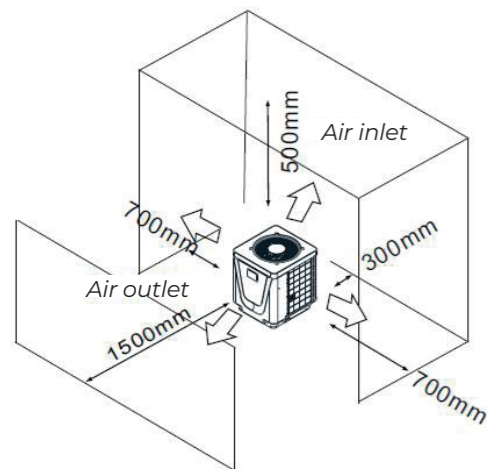
The unit will perform well in any outdoor location provided that the following three factors are presented:

1. Fresh Air
2. Electricity
3. Pool filter piping

The unit may be installed virtually anywhere outdoors. For indoor pools please consult the supplier. Unlike a gas heater, it has no draft or pilot light problem in a windy area.

DO NOT place the unit in an enclosed area with a limited air volume, where the units discharge air will be re-circulated.

DO NOT place the unit to shrubs which can block air inlet. These locations deny the unit of a continuous source of fresh air which reduces its efficiency and may prevent adequate heat delivery.



3.3 HOW CLOSE TO YOUR POOL?

Normally, the pool heat pump is installed within 7.5 metres of the pool. The longer the distance from the pool, the greater the heat loss from the piping. For the most part, the piping is buried. Therefore, the heat loss is minimal for runs of up to 15 metres (15 metres to and from the pump = 30 metres total), unless the ground is wet or the water table is high. A very rough estimate of heat loss per 30 metres is 0.6 kW hour, (2000BTU) for every 5°C difference in temperature between the pool water and the ground surrounding the pipe, which translates to about 3% to 5% increase in run time.

3.4 SWIMMING POOL HEAT PUMPS PLUMBING

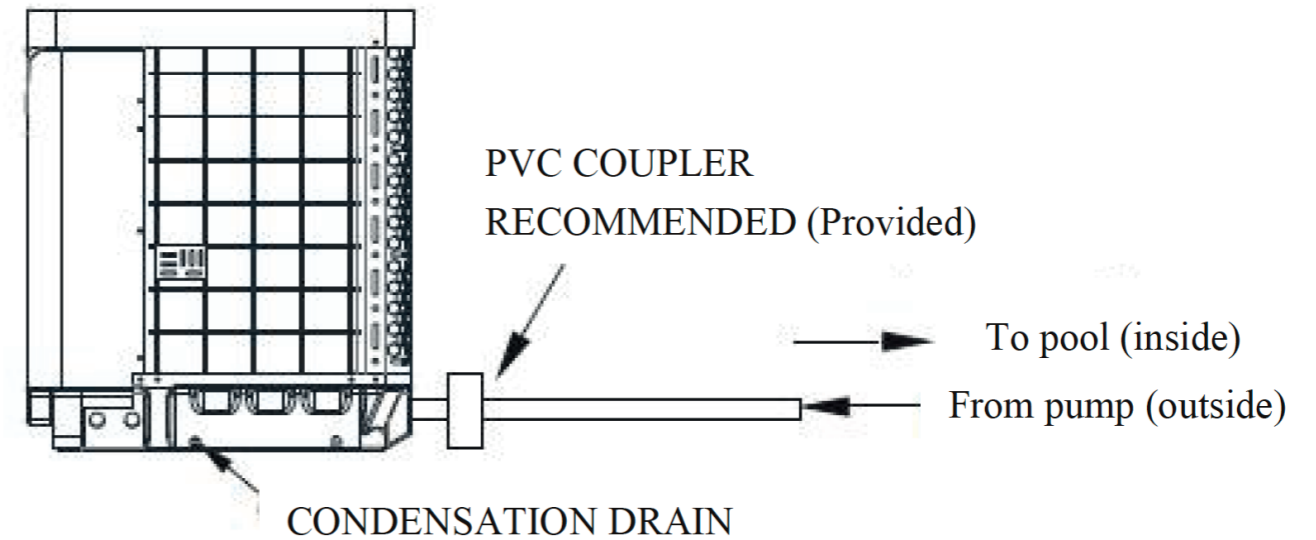
The Swimming Pool Heat Pumps exclusive rated flow titanium heat exchanger requires no special plumbing arrangements except bypass (please set the flow rate according to the nameplate). The water pressure drop is less than 10kPa at max. Flow rate. Since there is no residual heat or flame Temperatures. The unit does not need copper heat sink piping. PVC pipe can be run straight into the unit.

Location: Connect the unit in the pool pump discharge (return) line downstream of all filter and pool pumps, and upstream of any chlorinators, ozonators or chemical pumps. Standard model have slip glue fittings which accept 32mm or 50 mm PVC pipe for connection to the pool or spa filtration piping. By using a 50 NB to 40NB you can plumb 40NB Give serious consideration to adding a quick coupler fitting at the unit inlet and outlet to allow easy draining of unit for winterizing and to provide easier access should servicing be required.

Condensation: Since the Heat pump cools down the air about 4 -5, water may condense on the fins of the horseshoe shaped evaporator. If the relative humidity is very high, this could be as much as several litres an hour. The water will run down the fins into the base pan and drain out through the barbed plastic condensation drain fitting on the side of the base pan. This fitting is designed to accept 20mm clear vinyl tubing which can be pushed on by hand and run to a suitable drain. It is easy to mistake the condensation for a water leak inside the unit.

NB: A quick way to verify that the water is condensation is to shut off the unit and keep the pool pump running. If the water stops running out of the base pan, it is condensation. AN EVEN QUICKER WAY IS to TEST THE DRAIN WATER FOR CHLORINE - if there is no chlorine present, then it's condensation.

SWIMMING POOL HEAT PUMP TYPE PV



3.5 SWIMMING POOL HEAT PUMPS ELECTRICAL WIRING

NOTE

Although the unit heat exchanger is electrically isolated from the rest of the unit, it simply prevents the flow of electricity to or from the pool water. Grounding the unit is still required to protect you against short circuits inside the unit. Bonding is also required.

The unit has a separate molded-in junction box with a standard electrical conduit nipple already in place. Just remove the screws and the front panel, feed your supply lines in through the conduit nipple and wire-nut the electric supply wires to the three connections already in the junction box (four connections if three phase). To complete electrical hookup, connect Heat Pump by electrical conduit, UF cable or other suitable means as specified (as permitted by local electrical authorities) to a dedicated AC power supply branch circuit equipped with the proper circuit breaker, disconnect or time delay fuse protection.

Disconnect - A disconnect means (circuit breaker, fused or un-fused switch) should be located within sight of and readily accessible from the unit. This is common practice on commercial and residential air conditioners and heat pumps. It prevents remotely-energizing unattended equipment and permits turning off power at the unit while the unit is being serviced.

3.6 INITIAL STARTUP OF THE UNIT

NOTE

In order for the unit to heat the pool or spa, the filter pump must be running to circulate water through the heat exchanger.

- Start up Procedure - After installation is completed, you should follow these steps:
1. Turn on your filter pump. Check for water leaks and verify flow to and from the pool.
 2. Turn on the electrical power supply to the unit, then press the key ON/OFF of wire controller. It should start in several seconds.
 3. After running a few minutes make sure the air leaving the top(side) of the unit is cooler (Between 5-10°C)
 4. During the operation of the unit, if the filter pump turns off, the unit should also turn off automatically.
 5. Allow the unit and pool pump to run 24 hours per day until desired pool water temperature is reached. When the water-in temperature reaches this setting, the unit will slow down for a period of time, if the temperature is maintained for 45 minutes the unit will turn off. The unit will now automatically restart (as long as your pool pump is running) when the pool temperature drops more than 0.2 below set temperature.

Time Delay- The unit is equipped with a 3minute built-in solid state restart delay included to protect control circuit components and to eliminate restart cycling and contactor chatter. This time delay will automatically restart the unit approximately 3 minutes after each control circuit interruption. Even a brief power interruption will activate the solid state 3minute restart delay and prevent the unit from starting until the 5minute countdown is completed.

SWIMMING POOL HEAT PUMP TYPE PV

4. OPERATION AND USE

4.1 COLOR SCREEN WIRE CONTROLLER INTERFACE INTRODUCTION

(1) Main interface

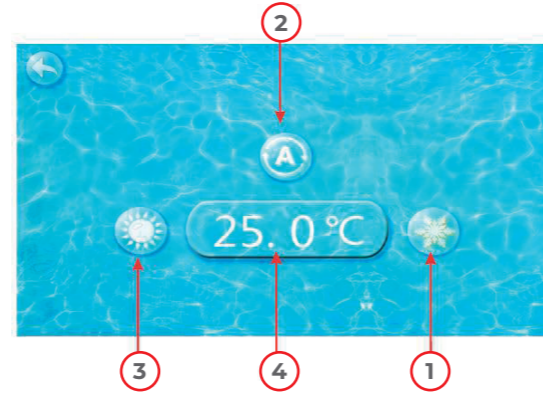


(2) Button Description

NO.	NAME	NAME
1	ON/OFF	Press to start /shut off the unit
2	Parameter	Click this button to view the unit state and the parameter
3	CLOCK	Press to set the clock, the timer on or timer off. When the timer was starting, the button is green
4	Fault display	Click to view fault history
5	Silent setting	Click to turn on/off silent function and to set timing Low speed function
6	MODE	Click to enter mode setting and the target temp. Setting interface
7	Temp. curve	Click to view the temp. and power curve
8	Water Inlet Temp.	Click to enter mode setting and the target temp. Setting interface
9	LOCK	Click to lock the screen. Input "22" to unlock the screen by press the "lock button"

4.2 COLOR SCREEN WIRE CONTROLLER FUNCTION INTRODUCTION

- (1) Booting and shutdown
As shown in figure 1.1: In shutdown status, click **1** then the unit will be booted In booting status, click **1** then the unit will be shut down.
- (2) Mode switch and target temperature Setting
- (2.1) Mode switch In the main interface, click mode button or inlet water temperature setting button, interface displays as follows:



- Click the refrigeration mode button **1**, automatic mode button **2** or heating mode button **3** then you can select the corresponding mode.
- (2.2) Target temp. setting
Click the temperature set button **4**, you can set the target temperature.

NOTE

When the unit is designed for single automatic mode or single thermal mode, the mode can not be switched.

SWIMMING POOL HEAT PUMP TYPE PV

- (3) Clock setting
In the main interface, click on the clock Settings button, interface displays as follows:



- (3.1) The operation of time setting
Click on the time Settings button **1**, interface displays as follows:



Click the value to set time directly, the click confirm button to save the Settings. For example: setup time: the 30-11-2016 16:00:00, input 30 11 16 00 00, the time change then click confirm button.

NOTE

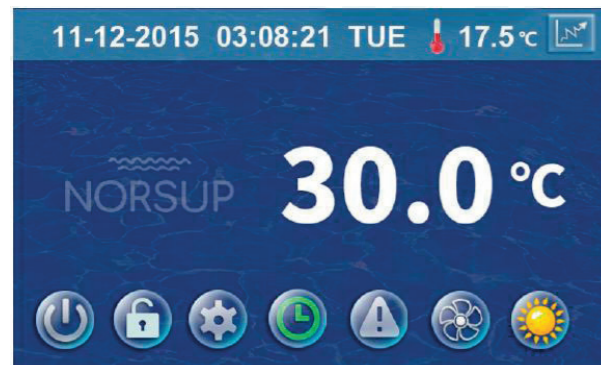
If the input format is not correct, the wrong time will be saved by clicking confirm button.

- (3.2) The operation of timing setting
Click the timing set button **2** to enter timing set interface.



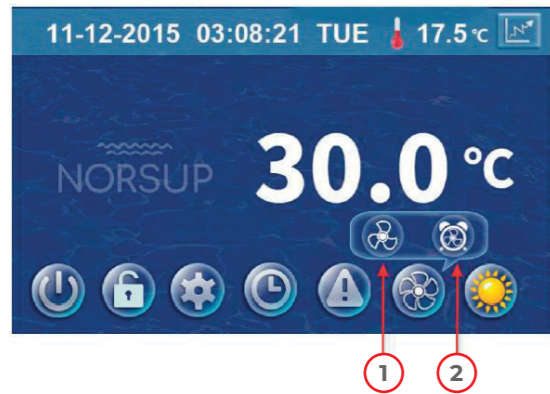
NO.	NAME	BUTTON COLOR	NAME
1	Timing table	- Start: green - End: gray	Click this button to start or end timing start setting function
2	Timing on setting		Click to set start time of the timing
3	Timing end button	- Open: red - End: gray	Click this button to start or end timing end setting function
4	Timing off setting		Click to set end time of the timing

SWIMMING POOL HEAT PUMP TYPE PV

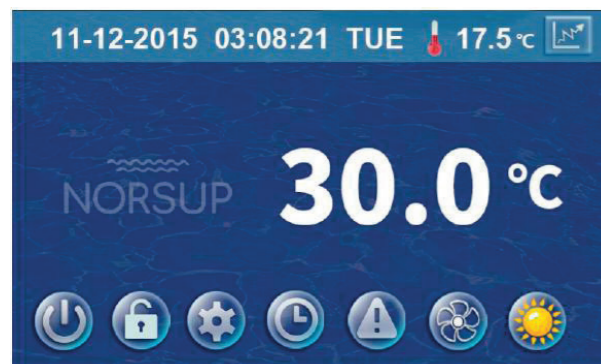


When the timer was starting, the clock button is green in the main interface.

(4) Silent setting and silent timing setting
Click the silent setting button, and the interface displays as follows:



(4.1) The silent button
Click the silent button 1, the unit will enter the silent mode, and interface displays as follows:



Click the silent button 1 again, to exit the silent mode.

(4.2) Timing silent function setting
Click timing silent button 2, and interface displays as follows:



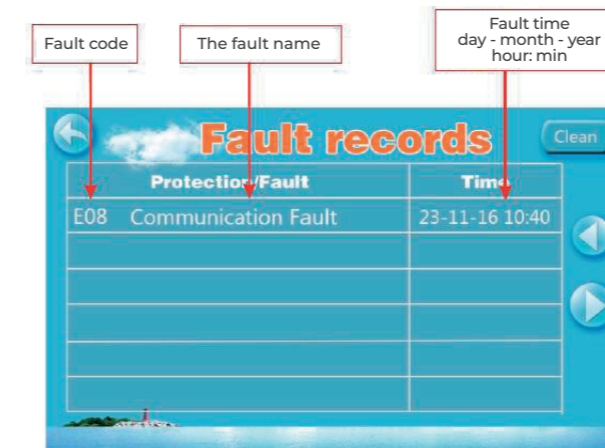
NO.	NAME	COLOR	NAME
1	Timing silent off	Used: red Unused: gray	Click to use or unuse timing off function
2	Timing silent on	Use: green Unused: gray	Click to use or unuse timing on function
3	Timing silent start time		Click this button to set the timing silent start time
4	Timing silent end time		Click this button to set the timing silent end time

Start time and end time setting value must be among the range of 0:00 -23:00, and setting value can be precise to hour digit.

For example above, click "ON" to use timing silent, the unit will start the silent at 0:00 points and end at 4:00; click "OFF" to unuse the timing silent, but if the unit is in timing silent mode, it will exit silent timing immediately.

SWIMMING POOL HEAT PUMP TYPE PV

(5) History of the fault
In the main interface click fault display key, interface displays as follows:

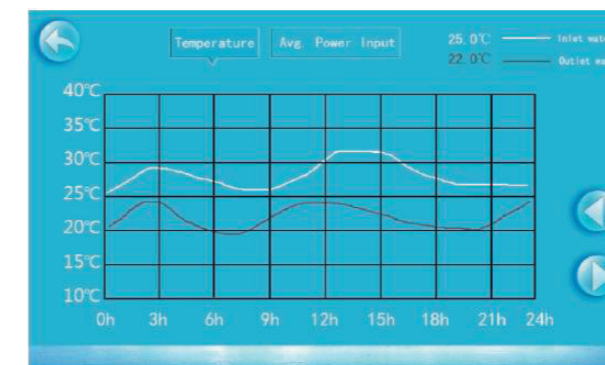


If no failure, main interface displays static "▲"
When fault occurs, the fault icon will flash between the "▲" "▲", the failure interface will record time, code, name of the fault.
After troubleshooting, if you do not check the failure record, the main interface will display static "▲"; if you check the failure record, the main interface will displays static "▲";

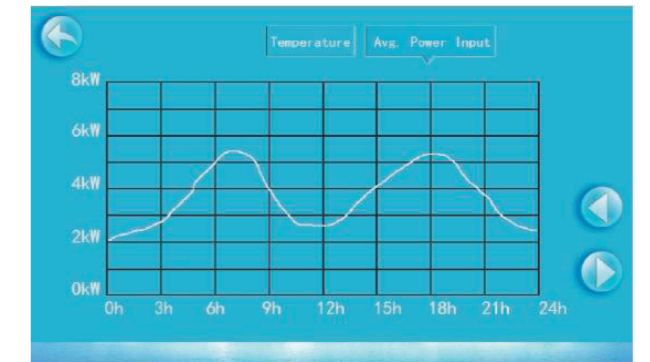
Failure record is in reverse order, according to the happening time. Press the "Clean" key, you can delete the fault record.

(6) Temperature curve
In the main interface, click the curve display button, interface displays as follows:

(6.1) Temperature recording curve is as follows:



(6.2) The average power curve



Temperature curve automatically updates every one hour, and the curve record can be stored for 60 days;

Start from the latest curve saved time, if power is off and curve data collecting time is less than one hour, the data in this period will not be saved;

SWIMMING POOL HEAT PUMP TYPE PV

4.3 PARAMETER LIST AND BREAKDOWN TABLE

(1) Electronic control fault table

Can be judged according to the remote controller failure code and troubleshooting

Protect/fault	Fault display	Reason	Elimination methods
Standby	Non		
Normal boot	Non		
Inlet Temp. Sensor Fault	P01	The temp. Sensor is broken or short circuit	Check or change the temp. Sensor
Outlet Temp. Sensor Fault	P02	The temp. Sensor is broken or short circuit	Check or change the temp. Sensor
Ambient Temp. Sensor Fault	P04	The temp. Sensor is broken or short circuit	Check or change the temp. Sensor
Coil Temp. Sensor Fault	P05	The temp. Sensor is broken or short circuit	Check or change the temp. Sensor
Suction Temp. Sensor Fault	P07	The temp. Sensor is broken or short circuit	Check or change the temp. Sensor
Discharge Temp. Sensor Fault	P081	The temp. Sensor is broken or short circuit	Check or change the temp. Sensor
High Pressure Prot.	E01	The high-pressure switch is broken	Check the pressure switch and cold circuit
Low Pressure Prot.	E02	Low pressure protection	Check the pressure switch and cold circuit
Flow Switch Prot.	E03	No water/little water in water system	Check the pipe water flow and water pump
Anti-freezing Prot.	E07	Water flow is not enough	Check the pipe water flow and whether water system is jammed or not
Primary Anti-freezing Prot.	E19	The ambient temp. Is low	
Secondary Anti-freezing Prot.	E29	The ambient temp. Is low	
Inlet and outlet temp. too big	E06	Water flow is not enough and low differential pressure	Check the pipe water flow and whether water system is jammed or not
Low temperature protection	Non	The environment temp. is low	
Comp. Overcurrent Prot.	E051	The compressor is overload	Check whether the system of the compressor running normally
Exhaust Air over Temp Prot.	P082	The compressor is overload	Check whether the system of the compressor running normally
Communication Fault	E08	Communication failure between wire controller and mainboard	Check the wire connection between remote wire controller and main board
Antifreeze Temp. Sensor Fault	P09	antifreeze temp sensor is broken or short circuited	check and replace this temp sensor
Waterway Anti-freezing Prot.	E05	water temp. or ambient temp. is too low	
EC fan feedback Fault	F051	There is something wrong with fan motor and fan motor stops running	Check whether fan motor is broken or locked or not
Pressure sensor Fault	PP	The pressure Sensor is broken	Check or change the pressure Sensor or pressure
Fan Motor1 Fault	F031	1. Motor is in locked-rotor state 2.The wire connection between DC-fan motor module and fan motor is in bad contact	1. Change a new fan motor 2.Check the wire connection and make sure they are in good contact
Fan Motor2 Fault	F032	1. Motor is in locked-rotor state 2.The wire connection between DC-fan motor module and fan motor is in bad contact	1. Change a new fan motor 2.Check the wire connection and make sure they are in good contact
Communication Fault (speed control module)	E081	Speed control module and main board communication fail	Check the communication connection

SWIMMING POOL HEAT PUMP TYPE PV

FREQUENCY CONVERSION BOARD FAULT TABLE:

Protection/fault	Fault display	Reason	Elimination methods
Drv1 MOP alarm	F01	MOP drive alarm	Recovery after the 150s
Inverter offline	F02	Frequency conversion board and main board communication failure	Check the communication connection
IPM protection	F03	IPM modular protection	Recovery after the 150s
Comp. Driver Failure	F04	Lack of phase, step or drive hardware damage	Check the measuring voltage Check frequency conversion board hardware
DC Fan Fault	F05	Motor current feedback open circuit or short circuit	Check whether current return wires connected motor
IPM Overcurrent	F06	IPM Input current is large	Check and adjust the current measurement
Inv. DC Overvoltage	F07	DC bus voltage>Dc bus over-voltage protection value	Check the input voltage measurement
Inv. DC Less voltage	F08	DC bus voltage<Dc bus over-voltage protection value	Check the input voltage measurement
Inv. Input Less voltage	F09	The input voltage is low, causing the input current is high	Check the input voltage measurement
Inv. Input Overvolt.	F10	The input voltage is too high, more than outage protection current RMS	Check the input voltage measurement
Inv. Sampling Volt.	F11	The input voltage sampling fault	Check and adjust the current measurement
Comm. Err DSP-PFC	F12	DSP and PFC connect fault	Check the communication connection
Input Over Cur.	F26	The equipment load is too large	
PFC fault	F27	The PFC circuit protection	Check the PFC switch tube short circuit or not
IPM Over heating	F15	The IPM module is overheat	Check and adjust the current measurement
Weak Magnetic Warn	F16	Compressor magnetic force is not enough	
Inv. Input Out Phase	F17	The input voltage lost phase	Check and measure the voltage adjustment
IPM Sampling Cur.	F18	IPM sampling electricity is fault	Check and adjust the current measurement
Inv. Temp. Probe Fail	F19	Sensor is short circuit or open circuit	Inspect and replace the sensor
Inverter Overheating	F20	The transducer is overheat	Check and adjust the current measurement
Inv. Overheating Warn	F22	Transducer temperature is too high	Check and adjust the current measurement
Comp. Over Cur. Warn	F23	Compressor electricity is large	The compressor over-current protection
Input Over Cur. Warn	F24	Input current is too large	Check and adjust the current measurement
EEPROM Error Warn	F25	MCU error	Check whether the chip is damaged Replace the chip
V15V over/undervoltage fault	F28	The V15V is overload or undervoltage	Check the V15V input voltage in range 13.5v~16.5v or not

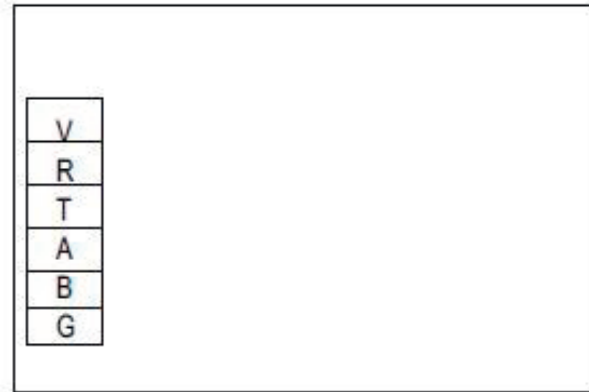
(2) Parameter list

Meaning	Default	Remarks
Refrigeration target temperature set point	28°C	Adjustable
Heating the target temperature set point	28°C	Adjustable
Automatic target temperature set point	27°C	Adjustable

SWIMMING POOL HEAT PUMP TYPE PV

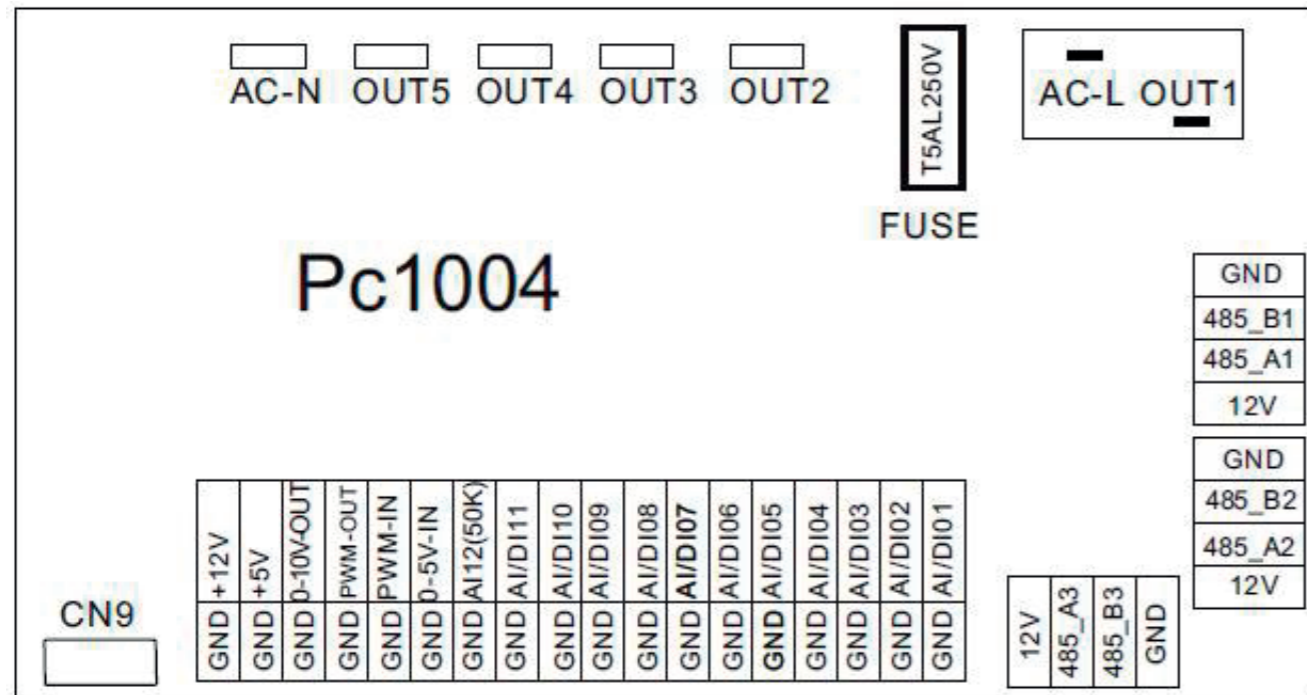
4.4 INTERFACE DRAW IN

(1) Wire control interface diagram and definition



Sign	Meaning
V	12V (power +)
R	No use
T	No use
A	485A
B	485B
G	GND (power-)

(2) Controller interface diagram and definition



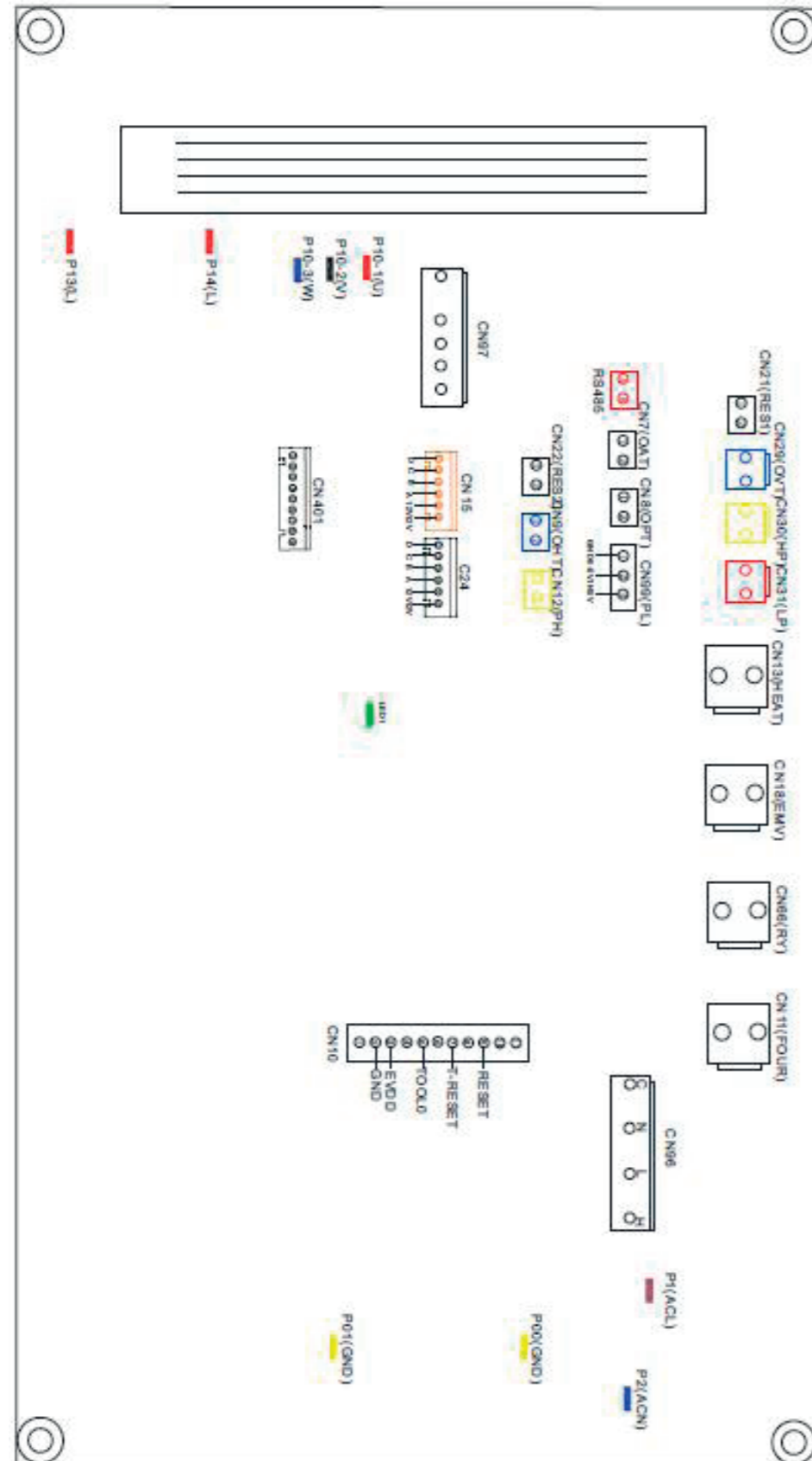
SWIMMING POOL HEAT PUMP TYPE PV

Main board of the input and output interface instructions below

Number	Sign	Meaning
01	OUT1	Compressor (output 220-230VAC)
02	OUT2	Water pump (output 220-230VAC)
03	OUT3	4-way valve (output 220-230VAC)
04	OUT4	High speed of fan (output 220-230VAC)
05	OUT5	Low speed of fan (output 220-230VAC)
06	AC-L	Live wire (input 220-230VAC)
07	AC-N	Neutral wire (input 220-230VAC)
08	AI/DI01	Emergency switch input
09	AI/DI02	Water flow switch input
10	AI/DI03	System low pressure input
11	AI/DI04	System high pressure input
12	AI/DI05	System suction temperature input
13	AI/DI06	Water input temperature input
14	AI/DI07	Water output temperature (input)
15	AI/DI08	System fan coil temperatureinput
16	AI/DI09	Ambient temperature input
17	AI/DI10	Mode switch input
18	AI/DI11	Master-slave machine switch / Antifreeze temperature input
19	AI12(50K)	System Exhaust temperature input
20	0_5V_IN	Compressor current detection/Pressure sensor (input)
21	PWM_IN	Master-slave machine switch / Feedback signal of EC fan (input)
22	PWM_OUT	AC fan control (output)
23	0_10V_OUT	EC fan control (output)
24	+5V	+5V (output)
25	+12V	+12V (output)
26	GND	
27	485_B1	Frequency conversion board communications
28	485_A1	
29	12V	
30	GND	
31	485_B2	Color line controller communication
32	485_A2	
33	12V	
34	CN9	Electronic expansion valve
35	GND	
36	485_B3	The port for centralized control system
37	485_A3	
38	12V	

SWIMMING POOL HEAT PUMP TYPE PV

Controller interface diagram and definition



SWIMMING POOL HEAT PUMP TYPE PV

Main board of the input and output interface instructions below

Number	Sign	Meaning
01	P10-(U)	Compressor (output 220-230VAC)
02	P10-(V)	
03	P10-(W)	
04	CN18(EMV)	Water pump (output 220-230VAC)
05	CN13(HEAT)	4-way valve (output 220-230VAC)
06	CN96(H)	High speed of fan (output 220-230VAC)
07	CN96(L)	Low speed of fan (output 220-230VAC)
08	P1 (AC-L)	Live wire (input 220-230VAC)
09	P2(AC-N)	Neutral wire (input 220-230VAC)
10	CN99(PL)	Pressure sensor
11	CN29(OVT)	Water flow switch (input)
12	CN30(HP)	High pressure switch (input)
13	CN31 (LP)	Low pressure switch (input)
14	CN7(OAT)	System suction temperature (input)
15	CN21 (RES1)	Water input temperature (input)
16	CN22(RES2)	Water output temperature (input)
17	CN8(OPT)	System fan coil temperature (input)
18	CN12(PH)	Ambient temperature (input)
19	CN9(OHT)	System Exhaust temperature (input)
20	P00(GND)	Earth wire
21	P01(GND)	Earth wire
22	P13(L) P14(L)	Electric reactor
23	R485(B) R485(A)	Color line controller communication
24	CN15	Electronic expansion valve

SWIMMING POOL HEAT PUMP TYPE PV

5. MAINTENANCE AND INSPECTION

Check the water supply device and the release often. You should avoid the condition of no water or air entering into system, as this will influence unit's performance and reliability. You should clear the pool/spa filter regularly to avoid damage to the unit as a result of the dirty of clogged filter.

The area around the unit should be dry, clean and well ventilated. Clean the side heating exchanger regularly to maintain good heat exchange as conserve energy.

The operation pressure of the refrigerant system should only be serviced by a certified technician.

Check the power supply and cable connection often. Should the unit begin to operate abnormally, switch it off and contact the qualified technician.

Discharge all water in the water pump and water system, so that freezing of the water in the pump or water system does not occur. You should discharge the water at the bottom of water pump if the unit will not be used for an extended period of time. You should check the unit thoroughly and fill the system with water fully before using it for the first time

Checks to the area

Prior to beginning work on systems containing flammable refrigerants, safety checks are necessary to ensure that the risk of ignition is minimised. For repair to the refrigerating system, the following precautions shall be complied with prior to conducting work on the system.

Work procedure

Work shall be undertaken under a controlled procedure so as to minimise the risk of a flammable gas or vapour being present while the work is being performed

General work area

All maintenance staff and others working in the local area shall be instructed on the nature of work being carried out. Work in confined spaces shall be avoided. The area around the workspace shall be sectioned off. Ensure that the conditions within the area have been made safe by control of flammable material.

Checking for presence of refrigerant

The area shall be checked with an appropriate refrigerant detector prior to and during work, to ensure the technician is aware of potentially flammable atmospheres. Ensure that the leak detection equipment being used is suitable for use with flammable refrigerants, i.e. non-sparking, adequately sealed or intrinsically safe.

Presence of fire extinguisher

If any hot work is to be conducted on the refrigeration equipment or any associated parts, appropriate fire extinguishing equipment shall be available to hand. Have a dry powder or CO2 fire extinguisher adjacent to the charging area.

No ignition sources

No person carrying out work in relation to a refrigeration system which involves exposing any pipe work that contains or has contained flammable refrigerant shall use any sources of ignition in such a manner that it may lead to the risk of fire or explosion. All possible ignition sources, including cigarette smoking, should be kept sufficiently far away from the site of installation, repairing, removing and disposal, during which flammable refrigerant can possibly be released to the surrounding space. Prior to work taking place, the area around the equipment is to be surveyed to make sure that there are no flammable hazards or ignition risks. "No Smoking" signs shall be displayed.

Ventilated area

Ensure that the area is in the open or that it is adequately ventilated before breaking into the system or conducting any hot work. A degree of ventilation shall continue during the period that the work is carried out. The ventilation should safely disperse any released refrigerant and preferably expel it externally into the atmosphere.

Checks to the refrigeration equipment

Where electrical components are being changed, they shall be fit for the purpose and to the correct specification. At all times the manufacturer's maintenance and service guidelines shall be followed. If in doubt consult the manufacturer's technical department for assistance. The following checks shall be applied to installations using flammable refrigerants: The charge size is in accordance with the room size within which the refrigerant containing parts are installed; The ventilation machinery and outlets are operating adequately and are not obstructed; If an indirect refrigerating circuit is being used, the secondary circuit shall be checked for the presence of refrigerant; Marking to the equipment continues to be visible and legible. Markings and signs that are illegible shall be corrected; Refrigeration pipe or components are installed in a position where they are unlikely to be exposed to any substance which may corrode refrigerant containing components, unless the components are constructed of materials which are inherently resistant to being corroded or are suitably protected against being so corroded.

Checks to electrical devices

Repair and maintenance to electrical components shall include initial safety checks and component inspection procedures. If a fault exists that could compromise safety, then no electrical supply shall be connected to the circuit until it is satisfactorily dealt with. If the fault cannot be corrected immediately but it is necessary to continue operation, an adequate temporary solution shall be used. This shall be reported to the owner of the equipment so all parties are advised. Initial safety checks shall include:

- That capacitors are discharged: this shall be done in a safe manner to avoid possibility of sparking;
- That there no live electrical components and wiring are exposed while charging, recovering or purging the system;
- That there is continuity of earth bonding.

SWIMMING POOL HEAT PUMP TYPE PV

Repairs to sealed components

- 1 During repairs to sealed components, all electrical supplies shall be disconnected from the equipment being worked upon prior to any removal of sealed covers, etc. If it is absolutely necessary to have an electrical supply to equipment during servicing, then a permanently operating form of leak detection shall be located at the most critical point to warn of a potentially hazardous situation.
- 2 Particular attention shall be paid to the following to ensure that by working on electrical components, the casing is not altered in such a way that the level of protection is affected. This shall include damage to cables, excessive number of connections, terminals not made to original specification, damage to seals, incorrect fitting of glands, etc.

Ensure that apparatus is mounted securely

Ensure that seals or sealing materials have not degraded such that they no longer serve the purpose of preventing the ingress of flammable atmospheres. Replacement parts shall be in accordance with the manufacturer's specifications.

NOTE

The use of silicon sealant may inhibit the effectiveness of some types of leak detection equipment. Intrinsically safe components do not have to be isolated prior to on them.

Repair to intrinsically safe components

Do not apply any permanent inductive or capacitance loads to the circuit without ensuring that this will not exceed the permissible voltage and current permitted for the equipment in use. Intrinsically safe components are the only types that can be worked on while live in the presence of a flammable atmosphere. The test apparatus shall be at the correct rating. Replace components only with parts specified by the manufacturer. Other parts may result in the ignition of refrigerant in the atmosphere from a leak.

Cabling

Check that cabling will not be subject to wear, corrosion, excessive pressure, vibration, sharp edges or any other adverse environmental effects. The check shall also take into account the effects of aging or continual vibration from sources such as compressors or fans.

Detection of flammable refrigerants

Under no circumstances shall potential sources of ignition be used in the searching for or detection of refrigerant leaks. A halide torch (or any other detector using a naked flame) shall not be used.

Leak detection methods

The following leak detection methods are deemed acceptable for systems containing flammable refrigerants. Electronic leak detectors shall be used to detect flammable refrigerants, but the sensitivity may not be adequate, or may need re-calibration. (Detection equipment shall be calibrated in a refrigerant-free area.) Ensure that the detector is not a potential source of ignition and is suitable for the refrigerant used. Leak detection equipment shall be set at a percentage of the LFL of the refrigerant and shall be calibrated to the refrigerant employed and the appropriate percentage of gas (25 % maximum) is confirmed. Leak detection fluids are suitable for use with most refrigerants but the use of detergents containing chlorine shall be avoided as the chlorine may react with the refrigerant and corrode the copper pipe-work. If a leak is suspected, all naked flames shall be removed/ extinguished. If a leakage of refrigerant is found which requires brazing, all of the refrigerant shall be recovered from the system, or isolated (by means of shut off valves) in a part of the system remote from the leak. Oxygen free nitrogen (OFN) shall then be purged through the system both before and during the brazing process.

Removal and evacuation

When breaking into the refrigerant circuit to make repairs or for any other purpose conventional procedures shall be used. However, it is important that best practice is followed since flammability is a consideration. The following procedure shall be adhered to:

- Remove refrigerant;
- Purge the circuit with inert gas;
- Evacuate;
- Purge again with inert gas;
- Open the circuit by cutting or brazing.

The refrigerant charge shall be recovered into the correct recovery cylinders. The system shall be „flushed“ with OFN to render the unit safe. This process may need to be repeated several times. Compressed air or oxygen shall not be used for this task. Flushing shall be achieved by breaking the vacuum in the system with OFN and continuing to fill until the working pressure is achieved, then venting to atmosphere, and finally pulling down to a vacuum. This process shall be repeated until no refrigerant is within the system. When the final OFN charge is used, the system shall be vented down to atmospheric pressure to enable work to take place. This operation is absolutely vital if brazing operations on the pipe-work are to take place. Ensure that the outlet for the vacuum pump is not close to any ignition sources and there is ventilation available. working on them.

Labelling

Equipment shall be labelled stating that it has been de-commissioned and emptied of refrigerant. The label shall be dated and signed. Ensure that there are labels on the equipment stating the equipment contains flammable refrigerant.

EN

NL

DE

FR

DK

SE

SWIMMING POOL HEAT PUMP TYPE PV

Recovery

When removing refrigerant from a system, either for servicing or decommissioning, it is recommended good practice that all refrigerants are removed safely. When transferring refrigerant into cylinders, ensure that only appropriate refrigerant recovery cylinders are employed. Ensure that the correct number of cylinders for holding the total system charge is available. All cylinders to be used are designated for the recovered refrigerant and labelled for that refrigerant (i.e. special cylinders for the recovery of refrigerant). Cylinders shall be complete with pressure relief valve and associated shutoff valves in good working order. Empty recovery cylinders are evacuated and, if possible, cooled before recovery occurs. The recovery equipment shall be in good working order with a set of instructions concerning the equipment that is at hand and shall be suitable for the recovery of flammable refrigerants. In addition, a set of calibrated weighing scales shall be available and in good working order. Hoses shall be complete with leak-free disconnect couplings and in good condition. Before using the recovery machine, check that it is in satisfactory working order, has been properly maintained and that any associated electrical components are sealed to prevent ignition in the event of a refrigerant release. Consult manufacturer if in doubt. The recovered refrigerant shall be returned to the refrigerant supplier in the correct recovery cylinder, and the relevant Waste Transfer Note arranged. Do not mix refrigerants in recovery units and especially not in cylinders. If compressors or compressor oils are to be removed, ensure that they have been evacuated to an acceptable level to make certain that flammable refrigerant does not remain within the lubricant. The evacuation process shall be carried out prior to returning the compressor to the suppliers. Only electric heating to the compressor body shall be employed to accelerate this process. When oil is drained from a system, it shall be carried out safely.

Decommissioning

Before carrying out this procedure, it is essential that the technician is completely familiar with the equipment and all its detail. It is recommended good practice that all refrigerants are recovered safely. Prior to the task being carried out, an oil and refrigerant sample shall be taken in case analysis is required prior to re-use of reclaimed refrigerant. It is essential that electrical power is available before the task is commenced.

- Become familiar with the equipment and its operation.
- Isolate system electrically.
- Before attempting the procedure ensure that:
 - Mechanical handling equipment is available, if required, for handling refrigerant cylinders;
 - All personal protective equipment is available and being used correctly;
 - The recovery process is supervised at all times by a competent person;
 - Recovery equipment and cylinders conform to the appropriate standards.
- Pump down refrigerant system, if possible.
- If a vacuum is not possible, make a manifold so that refrigerant can be removed from various parts of the system.
- Make sure that cylinder is situated on the scales before recovery takes place.
- Start the recovery machine and operate in accordance with manufacturer's instructions.
- Do not overfill cylinders. (No more than 80 % volume liquid charge).
- Do not exceed the maximum working pressure of the cylinder, even temporarily.
- When the cylinders have been filled and the process completed, make sure that the cylinders and the equipment are removed from site promptly and all isolation valves on the equipment are closed off.
- Recovered refrigerant shall not be charged into another refrigeration system unless it has been cleaned and checked.

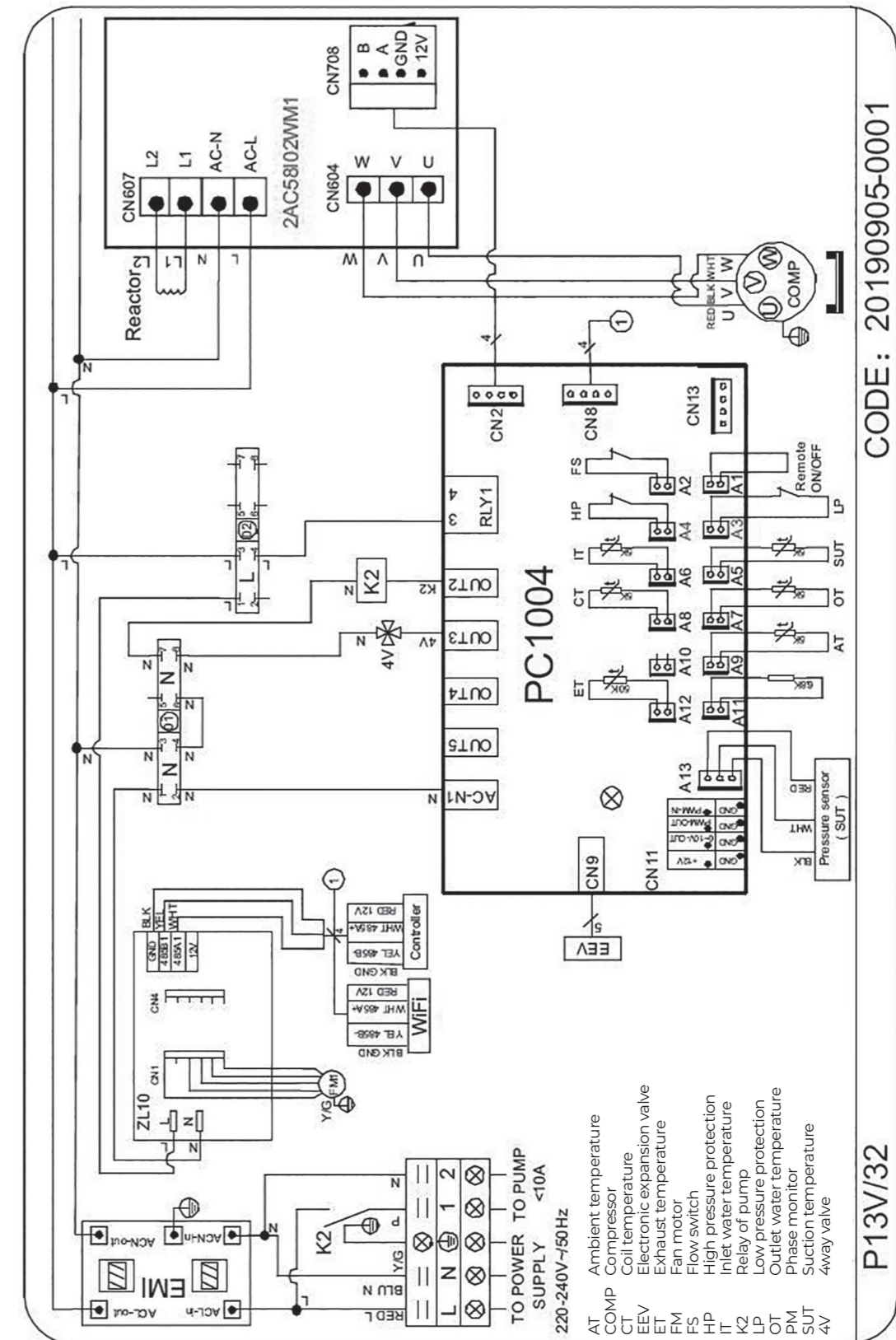
Charging procedures

- In addition to conventional charging procedures, the following requirements shall be followed.
- Ensure that contamination of different refrigerants does not occur when using charging equipment. Hoses or lines shall be as short as possible to minimise the amount of refrigerant contained in them.
 - Cylinders shall be kept upright.
 - Ensure that the refrigeration system is earthed prior to charging the system with refrigerant.
 - Label the system when charging is complete (if not already).
 - Extreme care shall be taken not to overfill the refrigeration system. Prior to recharging the system it shall be pressure tested with OFN. The system shall be leak tested on completion of charging but prior to commissioning. A follow up leak test shall be carried out prior to leaving the site.
 - The safety wire model is 5*20_5A/250VAC. And must meet the explosion-proof requirements

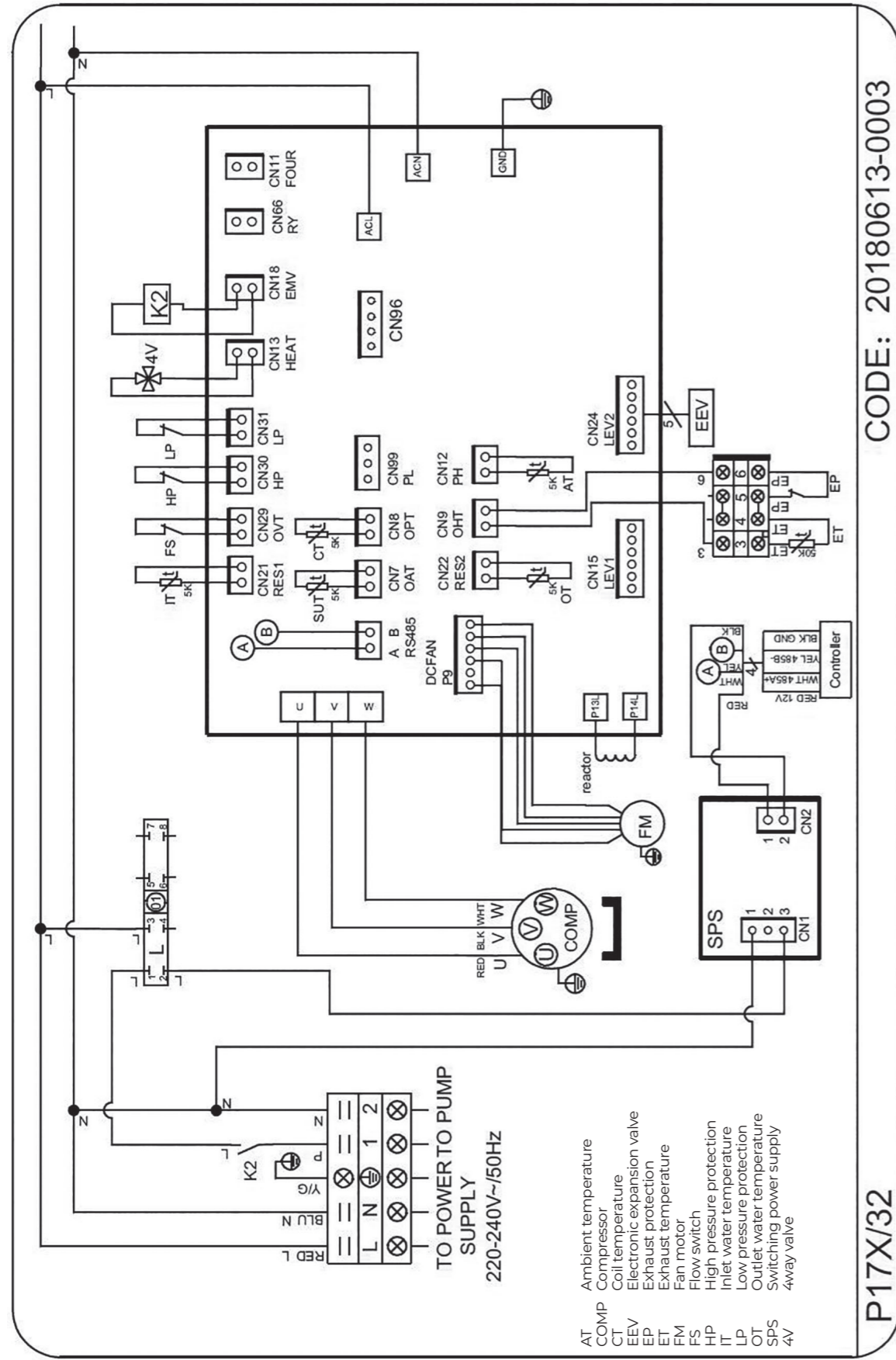
SWIMMING POOL HEAT PUMP TYPE PV

6.APPENDIX

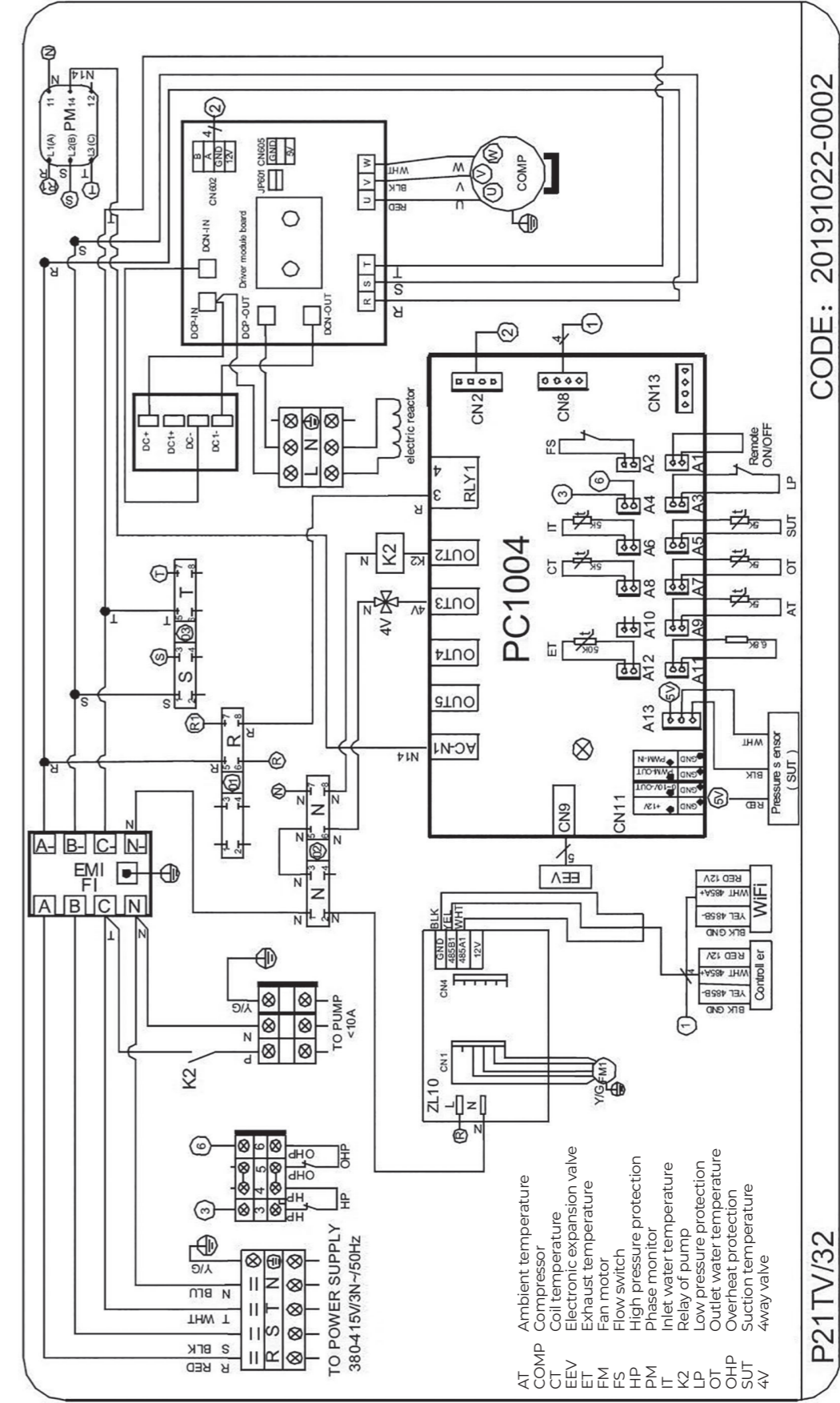
6.1 CIRCUIT DIAGRAM



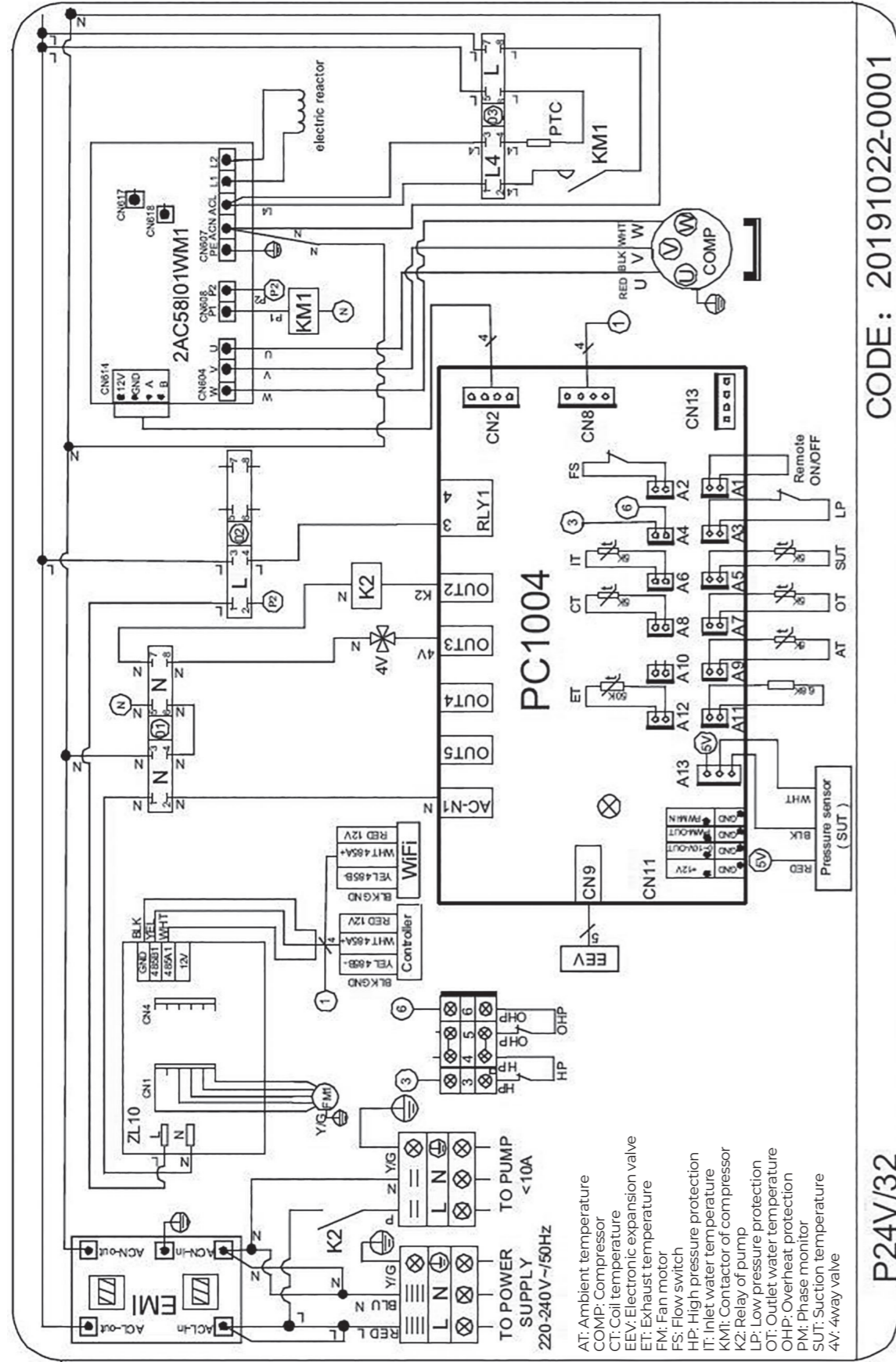
SWIMMING POOL HEAT PUMP TYPE PV



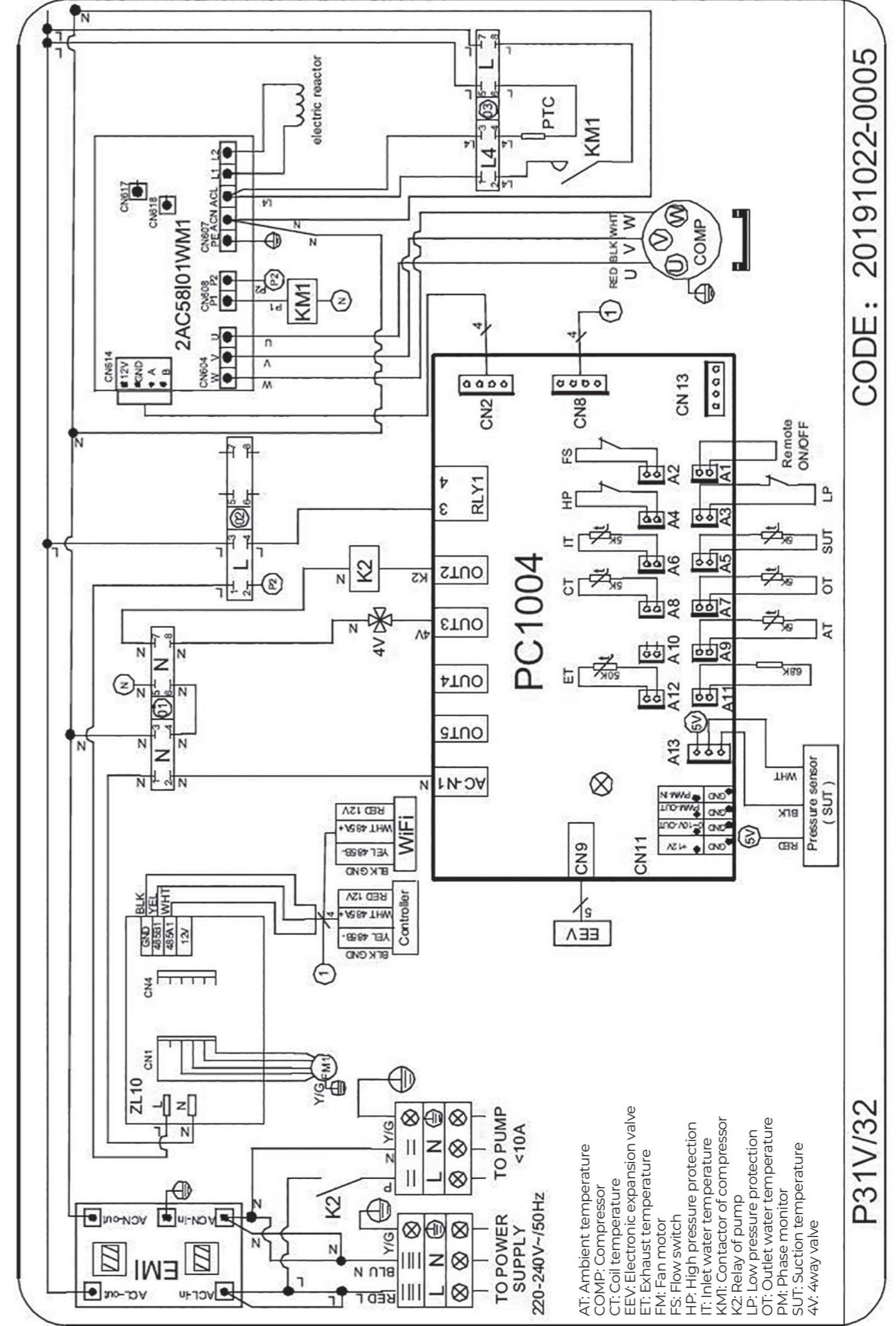
SWIMMING POOL HEAT PUMP TYPE PV



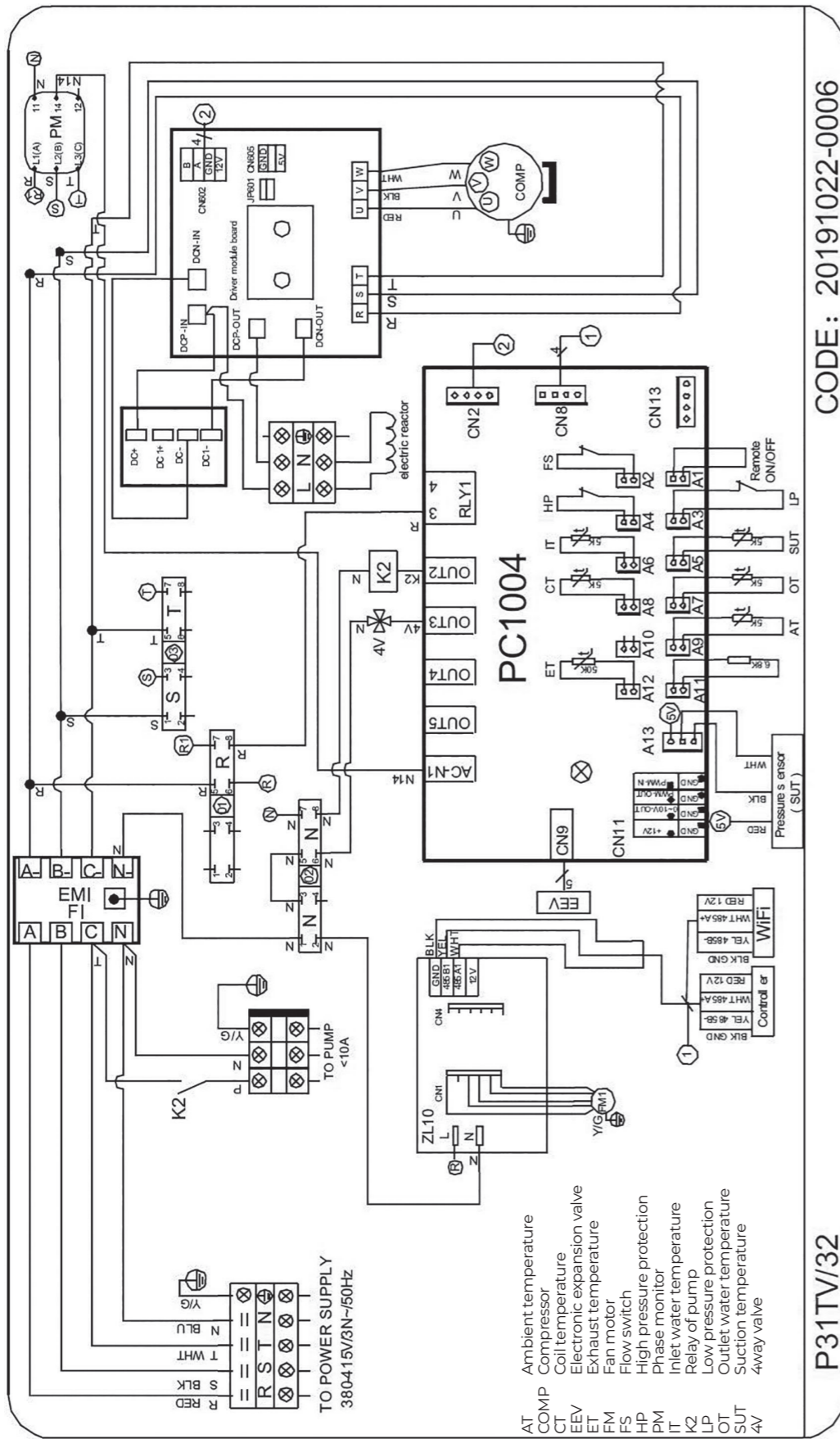
SWIMMING POOL HEAT PUMP TYPE PV



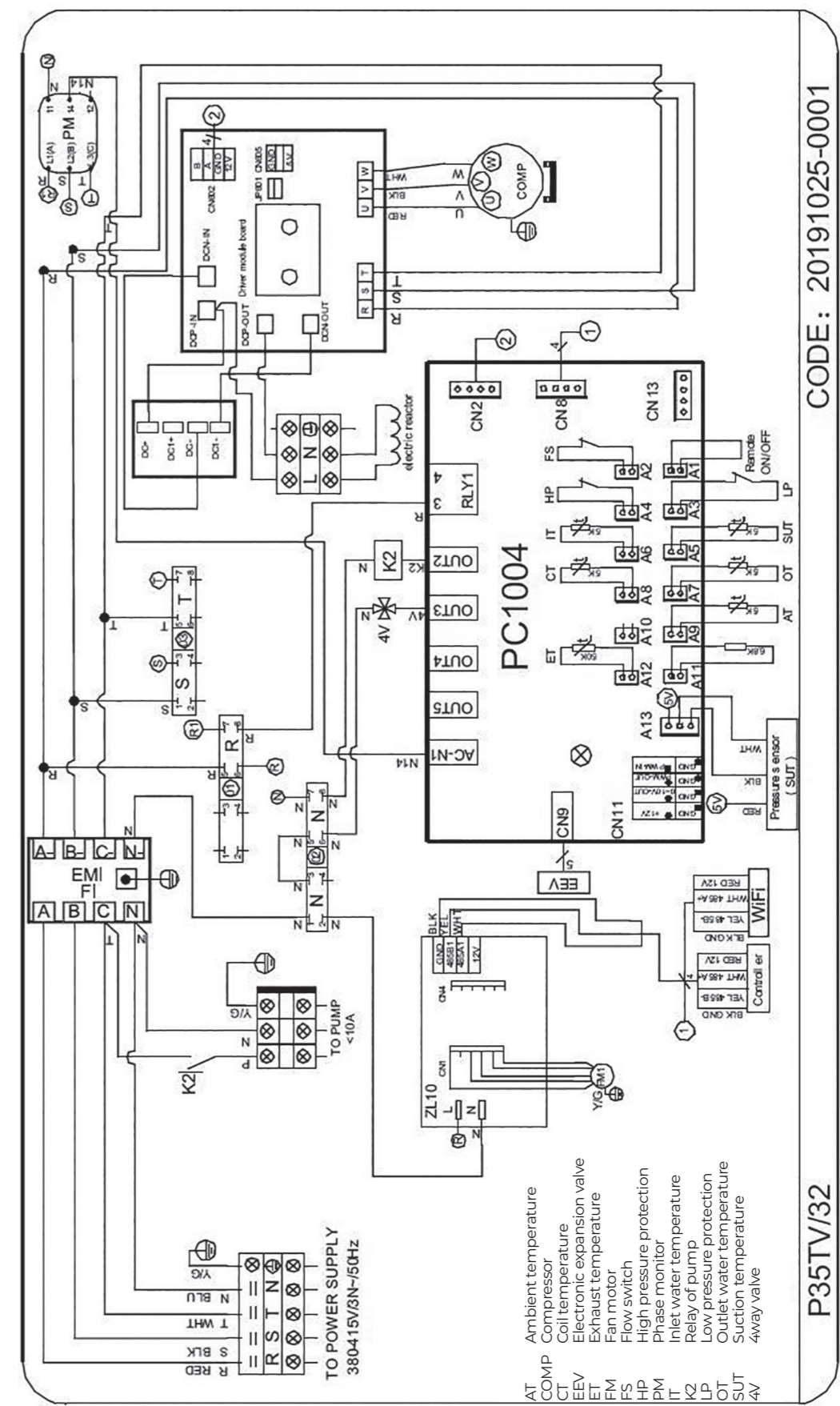
SWIMMING POOL HEAT PUMP TYPE PV



SWIMMING POOL HEAT PUMP TYPE PV



SWIMMING POOL HEAT PUMP TYPE PV



SWIMMING POOL HEAT PUMP TYPE PV

6.2 CABLE SPECIFICATION

(1) Single phase unit

Nameplate maximum current	Phase line	Earth line	MCB	Creepage protector	Signal line
No more than 10A	2×1.5mm ²	1.5mm ²	20A	30mA less than 0.1 sec	n×0.5mm ²
10~16A	2×2.5mm ²	2.5mm ²	32A	30mA less than 0.1 sec	
16~25A	2×4mm ²	4mm ²	40A	30mA less than 0.1 sec	
25~32A	2×6mm ²	6mm ²	40A	30mA less than 0.1 sec	
32~40A	2×10mm ²	10mm ²	63A	30mA less than 0.1 sec	
40 ~63A	2×16mm ²	16mm ²	80A	30mA less than 0.1 sec	
63~75A	2×25mm ²	25mm ²	100A	30mA less than 0.1 sec	
75~101A	2×25mm ²	25mm ²	125A	30mA less than 0.1 sec	
101~123A	2×35mm ²	35mm ²	160A	30mA less than 0.1 sec	
123~148A	2×50mm ²	50mm ²	225A	30mA less than 0.1 sec	
148~186A	2×70mm ²	70mm ²	250A	30mA less than 0.1 sec	
186~224A	2×95mm ²	95mm ²	280A	30mA less than 0.1 sec	

(2) Three phase unit

Nameplate maximum current	Phase line	Earth line	MCB	Creepage protector	Signal line
No more than 10A	3×1.5mm ²	1.5mm ²	20A	30mA less than 0.1 sec	n×0.5mm ²
10~16A	3×2.5mm ²	2.5mm ²	32A	30mA less than 0.1 sec	
16~25A	3×4mm ²	4mm ²	40A	30mA less than 0.1 sec	
25~32A	3×6mm ²	6mm ²	40A	30mA less than 0.1 sec	
32~40A	3×10mm ²	10mm ²	63A	30mA less than 0.1 sec	
40 ~63A	3×16mm ²	16mm ²	80A	30mA less than 0.1 sec	
63~75A	3×25mm ²	25mm ²	100A	30mA less than 0.1 sec	
75~101A	3×25mm ²	25mm ²	125A	30mA less than 0.1 sec	
101~123A	3×35mm ²	35mm ²	160A	30mA less than 0.1 sec	
123~148A	3×50mm ²	50mm ²	225A	30mA less than 0.1 sec	
148~186A	3×70mm ²	70mm ²	250A	30mA less than 0.1 sec	
186~224A	3×95mm ²	95mm ²	280A	30mA less than 0.1 sec	

When the unit will be installed at outdoor, please use the cable which can against UV.

6.3 COMPARISON TABLE OF REFRIGERANT SATURATION TEMPERATURE

Pressure (MPa)	0	0.3	0.5	0.8	1	1.3	1.5	1.8	2	2.3
Temperature (R410A)(°C)	-51.3	-20	-9	4	11	19	24	31	35	39
Temperature (R32)(°C)	-52.5	-20	-9	3.5	10	18	23	29.5	33.3	38.7
Pressure (MPa)	2.5	2.8	3	3.3	3.5	3.8	4	4.5	5	5.5
Temperature (R410A)(°C)	43	47	51	55	57	61	64	70	74	80
Temperature (R32)(°C)	42	46.5	49.5	53.5	56	60	62	67.5	72.5	77.4



NOTES

INHOUD

1. VOORWOORD	40
2. SPECIFICATIES	42
2.1 Prestatiegegevens van de zwembad warmtepomp unit	42
2.2 De afmetingen voor de zwembadwarmtepomp unit	46
3. INSTALLATIE EN AANSLUITING	47
3.1 Installatie illustratie	47
3.2 Zwembad warmtepompen plaats	48
3.3 Hoe dicht bij uw zwembad?	48
3.4 Zwembad warmtepompen sanitair	48
3.5 Elektrische bedrading zwembadwarmtepompen	49
3.6 Initial startup of the Unit	49
4. WERKING EN GEBRUIK	50
4.1 Kleurenscherm draad controller interface inleiding	50
4.2 Kleurenscherm draad controller functie inleiding	50
4.3 Parameter list and breakdown table	54
4.4 Interface tekenen	56
5. ONDERHOUD EN INSPECTIE	60
6. BIJLAGE	63
6.1 Schakelschema	63
6.2 Kabel specificatie	70
6.3 Vergelijkingstabel van de verzadigingstemperatuur van het koelmiddel	70

Fouten en technische wijzigingen onderhevig aan verandering, reproductie en elektronische vermenigvuldiging alleen met onze schriftelijke toestemming.

© NORSUP

Uitgave: 11.2020

PART NR.	TYPE		
7026965	P13V/32	7026970	P24TV/32
7026966	P17V/32	7026971	P31V/32
7026967	P21V/32	7026972	P31TV/32
7026968	P21TV/32	7026973	P35V/32
7026969	P24V/32	7026974	P35TV/32

ZWEMBAD WARMTEPOMP TYPE PV

1. VOORWOORD

Teneinde onze klanten kwaliteit, betrouwbaarheid en veelzijdigheid aan te bieden, werd dit product gefabriceerd volgens strikte productienormen. Deze handleiding bevat alle nodige informatie over de installatie, fouten opsporing, ontlading en onderhoud. Lees aandachtig deze handleiding vooraleer u de unit opent of een onderhoud uitvoert. De fabrikant van dit product wordt niet verantwoordelijk gesteld bij verwondingen of bij beschadiging van de unit ten gevolge van verkeerdelijke installatie, fouten opsporing of onjuist onderhoud. Het is van vitaal belang dat de instructies in deze handleiding worden opgevolgd. De unit moet worden geïnstalleerd door gekwalificeerd personeel.

De unit kan slecht hersteld worden door een gekwalificeerd installatiecentrum, personeel of een erkende dealer.

Onderhoud en bediening moeten uitgevoerd worden volgens de aanbevolen tijd en frequentie, zoals vermeld in deze handleiding.

Gebruik alleen originele standaardonderdelen. Bij het niet naleven van deze aanbevelingen, vervalt de garantie.

Zwembad Warmtepomp Units verwarmt het zwembadwater en houdt de temperatuur constant. Voor split type units. De binnenunit kan discreet worden verborgen of semi-verborgen voor een luxe huis. Onze warmtepomp heeft volgende kenmerken:

1 Duurzaam

De warmtewisselaar bestaat uit PVC & titanium buizen bestand tegen langdurige blootstelling aan zwembadwater.

2 Installatie flexibiliteit

De unit kan buiten of binnen worden geïnstalleerd.

3 Stille werking

De unit bestaat uit een efficiënte roterende/scroll-compressor en een stille ventilatormotor, welke een stille werking garandeert.

4 Geavanceerde besturing

De unit omvat microcomputerbesturing, waarmee alle bedrijfsparameters kunnen worden ingesteld. De bedieningsstatus kan worden weergegeven op de LCD draadbesturing. Afstandsbediening kan gekozen worden als toekomstige optie.

WAARSCHUWING

Het wordt aanbevolen om uw zwembadfiltratiepomp en uw warmtepomp onafhankelijk te bedraden. Als u uw zwembadpomp aan de warmtepomp aansluit, wordt uw filtratie uitgeschakeld zodra het zwembadwater de juiste temperatuur heeft bereikt. Sluit de zwembadpomp alleen aan de warmtepomp aan als u alleen een zwembadpomp hebt voor verwarming die onafhankelijk is van uw zwembadfiltratiesysteem. Gebruik geen andere producten om het ontdooiproces te versnellen of proper te maken, dan door de fabrikant aanbevolen. Het apparaat moet worden bewaard in een ruimte zonder continu werkende ontstekingsbronnen (bijvoorbeeld: open vuur, een werkend gasapparaat of een werkende elektrische kachel.) Niet doorboren of verbranden. Houd er rekening mee dat koelmiddelen mogelijk geen geur bevatten, Het toestel moet geïnstalleerd, bediend en bewaard worden in een ruimte met een vloeroppervlak groter dan Xm^2 .

OPMERKING

De fabrikant kan andere geschikte voorbeelden geven of aanvullende informatie verstrekken over de geur van het koelmiddel.

• Dit apparaat kan worden gebruikt door kinderen vanaf 8 jaar en personen met mindervalide lichamelijke, zintuiglijke of mentale vermogens of gebrek aan ervaring en kennis enkel indien zij op een veilige manier toezicht of instructies over het gebruik en de gevaren van het apparaat hebben gekregen. Kinderen mogen niet met het apparaat spelen. Reiniging en gebruikersonderhoud mogen niet door kinderen zonder toezicht worden uitgevoerd.

• Indien het netsnoer beschadigd is, kan het alleen vervangen worden door de fabrikant, zijn service-agent of personen met vergelijkbare kwalificaties teneinde gevaar te vermijden.

• Het apparaat moet worden geïnstalleerd in overeenstemming met de nationale bedradingsvoorschriften.

• Gebruik uw airconditioner niet in een natte ruimte zoals een badkamer of wasruimte.

ZWEMBAD WARMTEPOMP TYPE PV

• Voordat toegang tot de unit wordt verkregen, moeten alle voedingscircuits worden losgekoppeld.

• Een ontkoppelingapparaat met alle polen dat ten minste 3 mm vrije ruimte heeft in alle polen en een lekstroom heeft die groter kan zijn dan 10 mA, waarbij het reststroomapparaat (RCD) een nominale resterende bedrijfsstroom heeft van niet meer dan 30 mA, en ont koppeling moet worden opgenomen in de vaste bedrading in overeenstemming met de bedradingsregels.

• Gebruik geen andere middelen dan door de fabrikant aanbevolen om het ontdooiproces te versnellen of te reinigen

• Het apparaat moet worden opgeslagen in een ruimte zonder continu werkende ontstekingsbronnen (bijvoorbeeld: open vuur, een werkend gasapparaat of een werkende elektrische kachel.)

• Niet doorboren of verbranden

• Apparaat moet worden geïnstalleerd, bediend en opgeslagen in een ruimte met een vloeroppervlak groter dan $X m^2$. Houd er rekening mee dat koelmiddelen mogelijk geen geur bevatten. De installatie van leidingwerk moet beperkt worden tot minimum $X m^2$. Ruimten met koelmiddelleidingen moeten voldoen aan de nationale gasregelgeving. Onderhoud mag enkel zoals aanbevolen door de fabrikant uitgevoerd worden. Het apparaat moet worden opgeslagen in een goed geventileerde ruimte en deze moet overeenkomen met de grootte gespecificeerd voor gebruik. Alle werkprocedures die van invloed zijn op de veiligheidsmiddelen mogen alleen worden uitgevoerd door bevoegde personen.

• Transport van apparatuur welke ontvlambare koelmiddelen bevat. Naleven van de transportvoorschriften Markering van apparatuur met behulp van signalen. Naleven van lokale voorschriften. Verwijdering van apparatuur met ontvlambare koelmiddelen. Naleven van nationale voorschriften. Opslag van apparatuur/apparaten. De opslag van apparatuur moet in overeenstemming zijn met de instructies van de fabrikant. Opslag van verpakte (onverkochte) uitrusting. De verpakingsbescherming moet gefabriceerd worden zodat mechanische schade aan de apparatuur in het pakket geen lekkage van de koelmiddelvulling veroorzaakt. Het maximale aantal stukken dat samen mag worden opgeslagen, wordt bepaald door de plaatselijke voorschriften.

VOORZICHTIGHEID & WAARSCHUWING

1. De unit kan alleen hersteld worden door gekwalificeerd personeel van het installatiecentrum of door een erkende dealer. (van de Europese markt)
2. Dit apparaat mag niet gebruikt worden door personen (inclusief kinderen) met verminderde fysieke zintuiglijke of mentale vermogens, of door iemand met gebrek aan ervaring en kennis, tenzij deze gesuperviseerd worden of instructies hebben gekregen over het gebruik van het apparaat door een persoon verantwoordelijk voor hun veiligheid. (van de Europese markt) Kinderen moeten onder toezicht staan zodat ze niet met het apparaat spelen.
3. Zorg ervoor dat het apparaat en de stroomaansluiting goed geaard zijn, anders kan dit een elektrische schok veroorzaken.
4. Als het netsnoer beschadigd is, moet dit vervangen worden door de fabrikant of door onze serviceagent of een vergelijkbare gekwalificeerde persoon om risico's te vermijden.
5. Richtlijn 2002/96/EG (AEEA): Het symbool met een doorstreepte afvalbak en welke zich onderaan het apparaat bevindt, geeft aan dat dit product op het einde van zijn levensduur apart moet verwerkt worden van huishoudelijk afval, naar een recyclingcentrum voor elektrische en elektronische apparaten moet gebracht worden of moet teruggegeven worden aan de dealer bij aankoop van een gelijkaardig apparaat.
6. Richtlijn 2002/95/EG (RoHS): Dit product voldoet aan richtlijn 2002/95/EC (RoHS) betreffende beperkingen op het gebruik van schadelijke stoffen in elektrische en elektronische apparaten.
7. De unit MAG NIET in de buurt van het brandbaar gas worden geïnstalleerd. Mocht er gas lekken, kan er brand ontstaan.
8. Zorg ervoor dat er een stroomonderbreker voor de unit beschikbaar is; een gebrek aan stroomonderbreker kan leiden tot elektrische schokken of brand.
9. De warmtepomp binnenin de unit is uitgerust met een overbelasting beveiligingssysteem. Hierdoor kan de unit niet van start gaan binnen de 3 minuten vanaf een vorige stopzetting.
10. De unit mag alleen maar herstel worden door gekwalificeerd personeel van een installatiecentrum of een erkende dealer. (van de Noord-Amerikaanse markt)
11. De installatie mag alleen worden uitgevoerd in overeenstemming met de NEC/CEC door een geautoriseerd persoon. (van de Noord-Amerikaanse markt)
12. GEBRUIK ENKEL SNOEREN GESCHIKT VOOR 75°C.
13. Opgepast: Enkelwandige warmtewisselaar, niet geschikt voor drinkwateraansluiting.

ZWEMBAD WARMTEPOMP TYPE PV

2. SPECIFICATIES

2.1 PRESTATIEGEGEVENS VAN DE ZWEMBAD WARMTEPOMP UNIT

*** KOELMIDDEL: R32

UNIT		P13V/32	P17V/32	P21V/32
Onderdeel nr.		7026965	7026966	7026967
Warmte capaciteit (A27/W26)	kW	3.7-13.5	3.4-17.0	6.2-21.3
	Btu/h	12580-45900	11560-57800	21080-72420
COP		13.4-3.7	13.0-6.6	15.6-7.3
Warmte capaciteit (A15/W26)	kW	2.7-10.0	2.7-12.7	6.5-16.3
	Btu/h	9180-34000	9180-43180	22100-55420
COP		6.2-5.0	6.8-5.0	7.0-5.4
Invoer warmtevermogen	kW	0.23-2.9	0.31-3.54	0.43-4.55
Stroomvoorziening		220-240V /50Hz	220-240V /50Hz	220-240V /50Hz
Aantal Compressoren		1	1	1
Compressor		draaiend	draaiend	draaiend
Ventilator Nummer		1	1	1
Geluid	dB(A)	44-54	46-56	48-56
Water Aansluiting	mm	50	50	50
Waterstroom Volume	m ³ /h	4.2	5.5	7
Waterdruk daling (max)	kPa	5	9	16
Unit Net Afmetingen (L/B/H)	mm	Zie tekeningen van de units		
Unit Transport Afmetingen (L/B/H)	mm	Zie verpakkingsetiket		
Nettogewicht	kg	Zie naamplaatje		
Transportgewicht	kg	Zie verpakkingsetiket		

Verwarming:

Buitenluchttemperatuur: 27°C/24,3°C, inlaatwatertemp: 26°C
Buitenluchttemperatuur: 15°C/12°C, inlaatwatertemp: 26°C

Werkbereik:

Omgevingstemperatuur: -15 43 °C
Watertemperatuur: 9-40 °C

ZWEMBAD WARMTEPOMP TYPE PV

*** REFRIGERANT: R32

UNIT		P21TV/32	P24V/32	P24TV/32
Onderdeel nr.		7026968	7026969	7026970
Warmte capaciteit (A27/W26)	kW	6.3-21.1	5.6-24.9	5.5-24.3
	Btu/h	21420-71740	19040-84600	18700-82620
COP		14.8-7.6	15.2-6.4	14.2-6.6
Warmte capaciteit (A15/W26)	kW	4.5-16.3	4.4-18.7	4.1-18.8
	Btu/h	15300-55420	14960-63580	13940-63920
COP		7.4-5.6	7.1-5.1	7.1-5.1
Invoer warmtevermogen	kW	0.43-5.2	0.47-5.3	0.47-5.7
Stroomvoorziening		380V/3N /50Hz	220-240V /50Hz	380V/3N /50Hz
Aantal Compressoren		1	1	1
Compressor		draaiend	draaiend	draaiend
Ventilator Nummer		1	1	1
Geluid	dB(A)	48-56	50-56	50-56
Water Aansluiting	mm	50	50	50
Waterstroom Volume	m ³ /h	7.1	9.0	9.0
Waterdruk daling (max)	kPa	16	16	16
Unit Net Afmetingen (L/B/H)	mm	Zie tekeningen van de units		
Unit Transport Afmetingen (L/B/H)	mm	Zie verpakkingsetiket		
Nettogewicht	kg	Zie naamplaatje		
Transportgewicht	kg	Zie verpakkingsetiket		

Verwarming:

Buitenluchttemperatuur: 27°C/24,3°C, inlaatwatertemp: 26°C
Buitenluchttemperatuur: 15°C/12°C, inlaatwatertemp: 26°C

Werkbereik:

Omgevingstemperatuur: -15 43 °C
Watertemperatuur: 9-40 °C

ZWEMBAD WARMTEPOMP TYPE PV

*** KOELMIDDEL: R32

UNIT		P31V/32	P31TV/32	P35TV/32
Onderdeel nr.		7026971	7026972	7026974
Warmte capaciteit (A27/W26)	kW	8.5-30.6	8.8-31.2	7.8-35.5
	Btu/h	28900-104040	29920-106080	26520-120700
COP		14.3-6.3	15.7-6.1	12.2-5.2
Warmte capaciteit (A15/W26)	kW	6.4-23.8	6.5-23.6	6.4-27.5
	Btu/h	21760-80920	22100-80240	21080-93500
COP		7.8-5.0	8.2-5.0	6.8-4.1
Invoer warmtevermogen	kW	0.53-7.0	0.55-7.0	0.66-8.95
Stroomvoorziening		220-240V/50Hz	380V/3N /50Hz	220-240V /50Hz
Aantal Compressoren		1	1	1
Compressor		draaiend	draaiend	draaiend
Ventilator Nummer		1	1	1
Geluid	dB(A)	50-57	50-57	53-59
Water Aansluiting	mm	50	50	50
Waterstroom Volume	m ³ /h	12.5	12.5	14.6
Waterdruk daling (max)	kPa	23	23	23
Unit Net Afmetingen (L/B/H)	mm	Zie tekeningen van de units		
Unit Transport Afmetingen (L/B/H)	mm	Zie verpakkingsetiket		
Nettogewicht	kg	Zie naamplaatje		
Transportgewicht	kg	Zie verpakkingsetiket		

Verwarming:

Buitenluchttemperatuur: 27°C/24,3°C, inlaatwatertemp: 26°C
Buitenluchttemperatuur: 15°C/12°C, inlaatwatertemp: 26°C

Werkbereik:

Omgevingstemperatuur: -15 43 °C
Watertemperatuur: 9-40 °C

ZWEMBAD WARMTEPOMP TYPE PV

*** KOELMIDDEL: R32

UNIT		P35V/32
Onderdeel nr.		7026973
Warmte capaciteit (A27/W26)	kW	7.1-35.0
	Btu/h	24140-119000
COP		11.4-5.1
Warmte capaciteit (A15/W26)	kW	6.4-27.5
	Btu/h	21760-93500
COP		6.5-4.1
Invoer warmtevermogen	kW	0.64-8.6
Stroomvoorziening		220-240V /50Hz
Aantal Compressoren		1
Compressor		draaiend
Ventilator Nummer		1
Geluid	dB(A)	53-59
Water Aansluiting	mm	50
Waterstroom Volume	m ³ /h	14.6
Waterdruk daling (max)	kPa	23
Unit Net Afmetingen (L/B/H)	mm	Zie tekeningen van de units
Unit Transport Afmetingen (L/B/H)	mm	Zie verpakkingsetiket
Nettogewicht	kg	Zie naamplaatje
Transportgewicht	kg	Zie verpakkingsetiket

Verwarming:

Buitenluchttemperatuur: 27°C/24,3°C, inlaatwatertemp: 26°C
Buitenluchttemperatuur: 15°C/12°C, inlaatwatertemp: 26°C

Werkbereik:

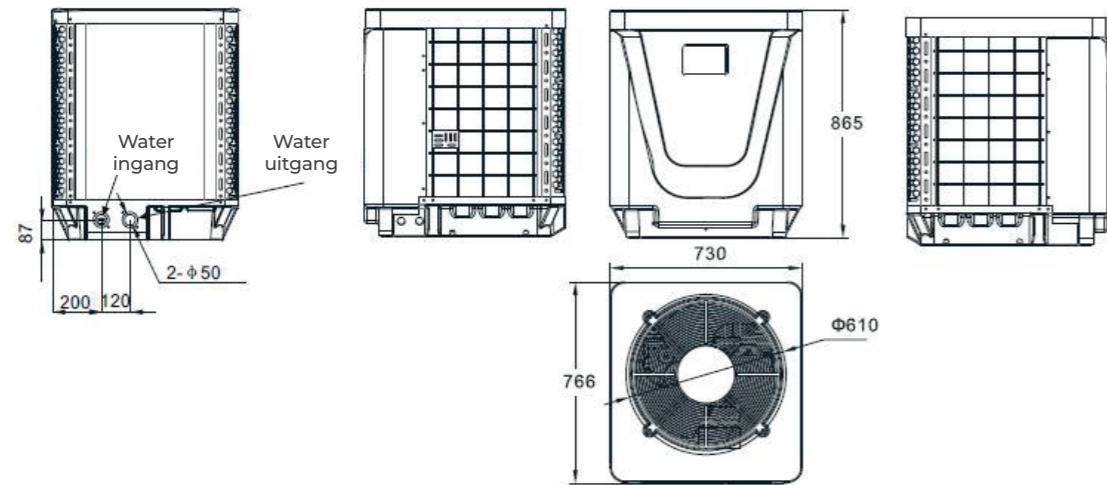
Omgevingstemperatuur: -15 43 °C
Watertemperatuur: 9-40 °C

ZWEMBAD WARMTEPOMP TYPE PV

2.2 DE AFMETINGEN VOOR DE ZWEMBADWARMTEPOMP UNIT

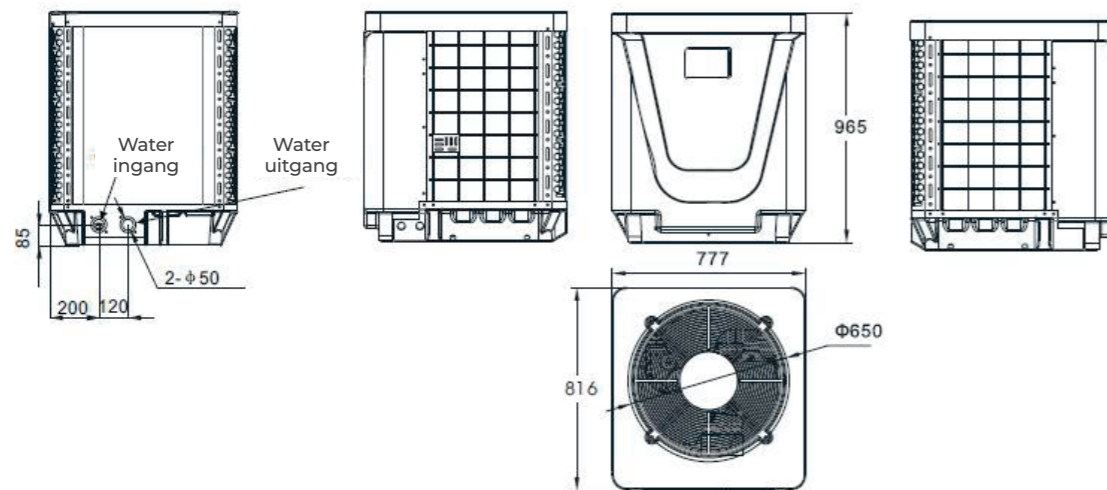
UNIT: P13V/32 /P17V/32

Unit mm



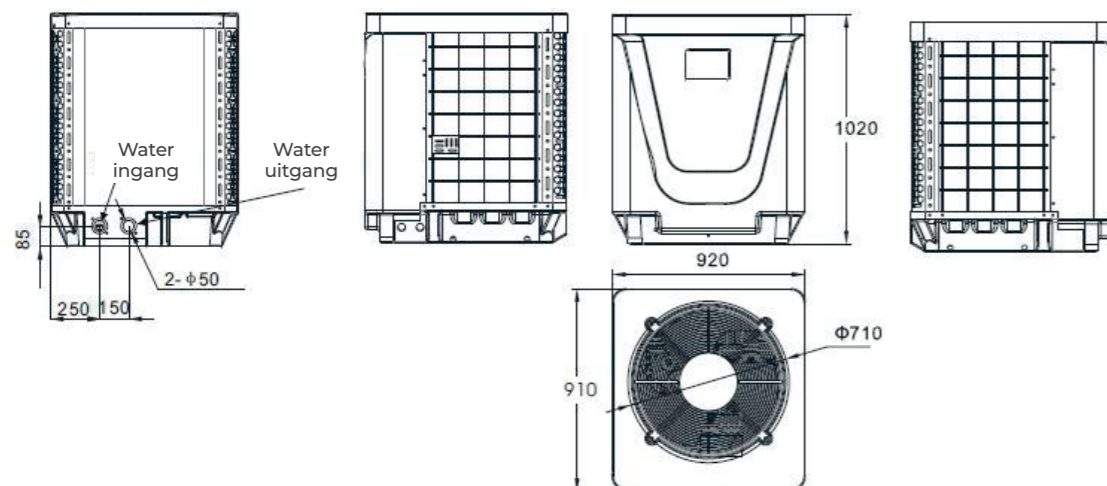
UNIT: P21V/32 /P21TV/32/P24V/32 /P24TV/32

Unit mm



UNIT: P31V/32 /P31TV/32/P35V/32/P35TV/32

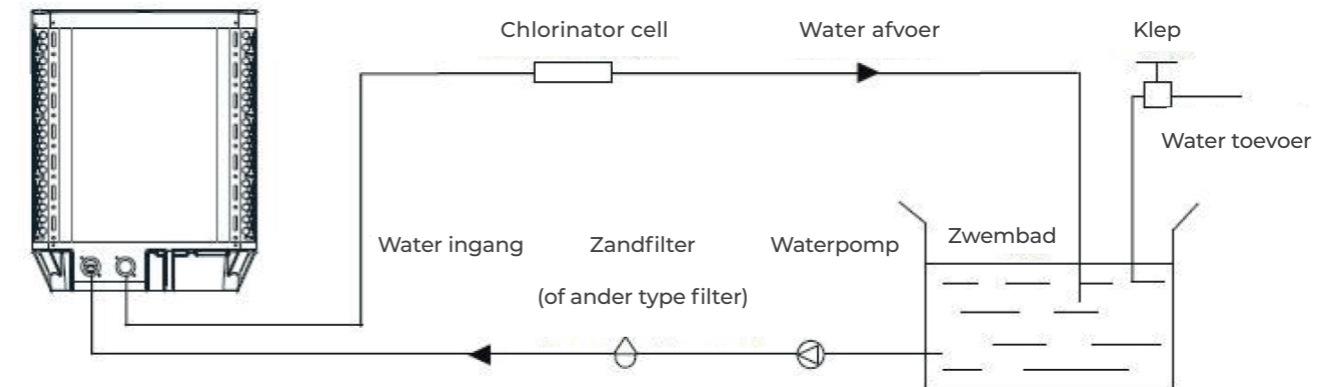
Unit mm



ZWEMBAD WARMTEPOMP TYPE PV

3. INSTALLATIE EN AANSLUITING

3.1 INSTALLATIE ILLUSTRATIE



Installatie-items

Het fabriek levert alleen de hoofd unit en de water unit; de andere items op de afbeelding zijn noodzakelijke reserveonderdelen voor het watersysteem, welke beschikbaar gesteld worden gebruikers of de installateur.

AANDACHT:



Volg deze stappen bij het eerste gebruik

1. Open de klep en vul met water.
2. Zorg ervoor dat de pomp en de watertoevoerpijp gevuld zijn met water.
3. Sluit de klep en start de unit.

Aandacht:

De watertoevoerpijp moet hoger zijn dan het zwembadoppervlak.

Het schematische diagram is enkel ter referentie. Kijk het etiket van de waterinlaat/-uitlaat na op de warmtepomp tijdens de sanitaire installatie.

De controller wordt aan de muur bevestigd.

ZWEMBAD WARMTEPOMP TYPE PV

3.2 ZWEMBAD WARMTEPOMPEN PLAATS

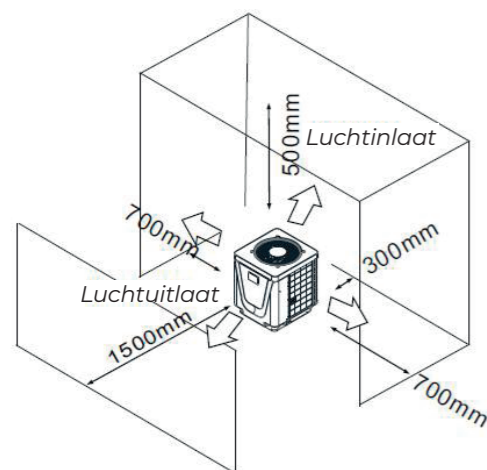
De unit apparaat zal goed presteren op elke plaats buiten, op voorwaarde dat de volgende drie factoren aanwezig zijn:

1. Frisse lucht - 2. Elektriciteit - 3. Leidingen voor zwembadfilter

De unit kan vrijwel overal buitenshuis worden geïnstalleerd. Voor binnenzwembaden, neem contact op met de leverancier. In tegenstelling tot een gasverwarming heeft het geen tocht- of waakvlamprobleem in een winderig gebied.

Plaats de unit NIET in een afgesloten ruimte met een beperkt luchtvolume, waar de lucht uit de units wordt gerecirculeerd.

Plaats de unit NIET in struikenplanten welke de luchtinlaat kunnen belemmeren. Deze plaatsen verhinderen de unit om continue verse lucht toe te voeren, waardoor deze minder efficiënt wordt en mogelijk onvoldoende warmte wordt afgegeven.



3.3 HOE DICHT BIJ UW ZWEMBAD?

Normaal gesproken wordt de zwembadwarmtepomp binnen 7,5 meter van het zwembad geïnstalleerd. Hoe langer de afstand tot het zwembad, hoe groter het warmteverlies van de leidingen. De leidingen zijn grotendeels begraven. Daarom is het warmteverlies minimaal voor runs tot 15 meter (15 meter van en naar de pomp = 30 meter totaal), tenzij de grond nat is of het waterpeil hoog is. Een zeer ruwe schatting van warmteverlies per 30 meter is 0,6 kW-uur (2000 BTU) voor elk 5,5 temperatuurverschil tussen het zwembadwater en de grond rondom de pijp, wat zich vertaalt in een toename van de bedrijfstijd met ongeveer 3% tot 5%.

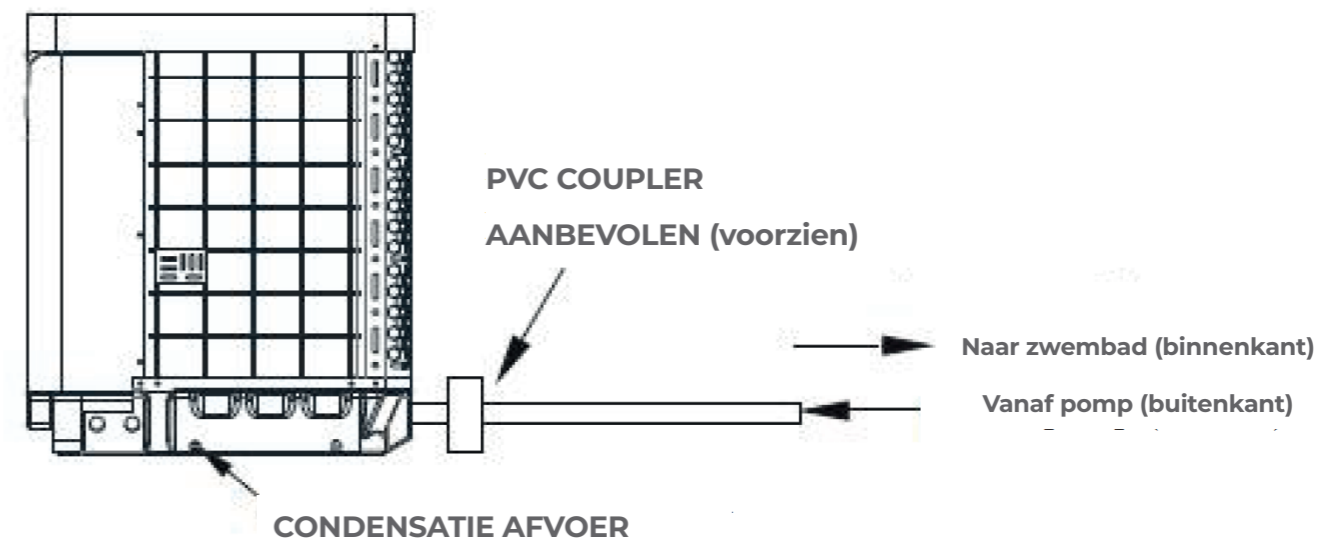
3.4 ZWEMBAD WARMTEPOMPEN SANITAIR

The De titaniumwarmtewisselaar met exclusief nominaal debiet voor zwembadwarmtepompen vereist geen speciale sanitaire voorzieningen behalve bypass (stel het debiet in volgens het typeplaatje). De waterdrukval is minder dan 10 kPa bij max. Debiet. Omdat er geen restwarmte of vlamtemperaturen zijn. Het apparaat heeft geen koperen koellichaamleidingen nodig. PVC-buis kan rechtstreeks in de unit worden geleid.

Locatie: sluit de unit aan op de afvoer (retour) leiding van de zwembadpomp stroomafwaarts van alle filter- en zwembadpompen en stroomopwaarts van eventuele chlorinators, ozonators of chemische pompen. Standaardmodel heeft slijpmfittingen die geschikt zijn voor 32 mm of 50 mm PVC-buizen voor aansluiting op het zwembad of de spa-filtratieleidingen. Door een 50 NB tot 40NB te gebruiken, kunt u 40NB loodsden Overweeg serieus om een snelkoppeling aan de inlaat en uitlaat van de unit toe te voegen om de unit gemakkelijk te laten leeglopen voor het winterklaar maken en om gemakkelijker toegang te bieden als onderhoud nodig is.

Condensatie: Aangezien de warmtepomp de lucht ongeveer 4-5 afkoelt, kan water condenseren op het vlak van de hoefijzervormige verdampers. Indien de luchtvochtigheid vrij hoog is, kan dit oplopen tot enkele liters per uur. Het water stroomt langs het vlak in de bodempan en stroomt naar buiten via de kunststof condensafvoermontage aan de zijkant van de bodempan. Deze fitting is ontworpen om 20 mm doorzichtige vinylslangen te aanvaarden welke handmatig kunnen worden verschoven en naar een geschikte afvoer kunnen geleid worden. De condensatie kan gemakkelijk verward worden met een waterlek in de unit. NB: Een snelle manier om na kijken of condensatie ontstaat, is door de unit uit te schakelen en de zwembadpomp te laten draaien. Als het water niet meer uit de bodempan stroomt, is er condensatie. EEN SNELLE MANIER IS OM HET AFVOERWATER TE TESTEN OP CHLOOR - is er geen chloor aanwezig, dan is het condensatie.

ZWEMBAD WARMTEPOMP TYPE PV



3.5 ELEKTRISCHE BEDRADING ZWEMBADWARMTEPOMPEN

OPMERKING

Hoewel de warmtewisselaar van de unit elektrisch geïsoleerd is van de rest van de unit, verhindert deze de elektronische stroom van of naar het zwembadwater. De unit aarden is nog steeds vereist om u te beschermen tegen kortsluiting in het apparaat. Lijmen is eveneens vereist.

De unit heeft een aparte ingegoten aansluitdoos met een standaard elektrische leidingnippel reeds aanwezig. Verwijder de schroeven en het voorpaneel, voer uw toevoerleidingen door de leidingnippel en draai de elektrische toevoerleidingen vast op de drie verbindingen die zich al in de aansluitdoos bevinden (vier verbindingen in drie fasen). Om de elektrische aansluiting te voltooien, sluit u de warmtepomp aan via een elektrische leiding, UF-kabel of andere geschikte middelen zoals gespecificeerd (zoals toegestaan door de plaatselijke elektrische autoriteiten) op een speciaal AC-stroomtakcircuit dat is uitgerust met de juiste stroomonderbreker, ontkoppelt u of zekeringbeveiliging met vertraging.

Ontkoppelen - Een ontkoppelmiddel (stroomonderbreker, gezekerde of niet-gezekerde schakelaar) moet zichtbaar en gemakkelijk toegankelijk zijn vanaf het apparaat. Dit is gebruikelijk van toepassing bij commerciële en residentiële airconditioners en warmtepompen. Het voorkomt het inschakelen van apparatuur vanop afstand zonder toezicht en maakt het mogelijk de stroom naar de unit uit te schakelen terwijl de unit wordt onderhouden.

3.6 INITIAL STARTUP OF THE UNIT

OPMERKING

Om de unit toe te staan het zwembad of de spa te laten verwarmen, moet de filterpomp draaien om water door de warmtewisselaar te laten stromen.

Opstartprocedure - Na voltooiing van de installatie, volgt u volgende stappen:

1. Schakel uw filterpomp in. Controleer op waterlekken en controleer de stroom van en naar het zwembad.
2. Schakel de stroomtoevoer naar de unit in en druk vervolgens op de toets AAN/UIT van de draadcontroller. Deze moet binnen enkele seconden opstarten.
3. Kijk na een paar minuten na of de lucht die de bovenkant (zijkant) van de unit verlaat verkoeld is (tussen 5-10 °C)
4. Als de filterpomp tijdens de werking van de unit wordt uitgeschakeld, moet de unit ook automatisch worden uitgeschakeld.
5. Laat de unit en de zwembadpomp 24 uur per dag draaien totdat de gewenste temperatuur van het zwembadwater is bereikt. Wanneer de water-in temperatuur deze instelling bereikt, vertraagt het apparaat gedurende een bepaalde tijd, als de temperatuur gedurende 45 minuten wordt gehandhaafd, wordt het apparaat uitgeschakeld.

De unit zal nu automatisch opnieuw opstarten (zolang uw zwembadpomp draait) wanneer de zwembadtemperatuur meer dan 0,2 onder de ingestelde temperatuur daalt. Tijdvertraging - De unit is uitgerust met een ingebouwde solid-state herstartvertraging van 3 minuten om de componenten van het regelcircuit te beschermen en om herstartcycli en contactgever-gekleter te verwijderen. Deze tijdsvertraging start het apparaat automatisch opnieuw ongeveer 3 minuten na elke onderbreking van het regelcircuit. Zelfs een korte stroomonderbreking zal de herstartvertraging van de vaste toestand 3 minuten activeren en voorkomen dat de unit start totdat het aftellen van 5 minuten is voltooid.

ZWEMBAD WARMTEPOMP TYPE PV

4. WERKING EN GEBRUIK

4.1 KLEURENSCHERM DRAAD CONTROLLER INTERFACE INLEIDING

(1) Hoofdinterface



(2) Knop Beschrijving

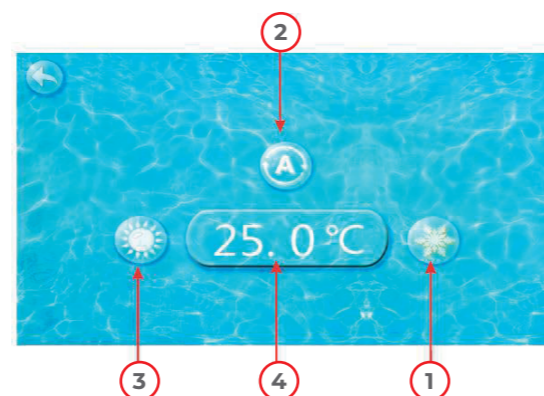
NR.	NAAM	DE KNOP FUNCTIE
1	AAN/UIT	Druk op de aan/uit knop van de unit
2	Parameter	Klik op deze knop om de status van de unit en parameter te bekijken
3	KLOK	Druk op instelknop van de klok, de aan of uit. Wanneer de timer start, wordt de knop groen.
4	Foutmelding	Klik om de storingsgeschiedenis te bekijken
5	Stille instelling	Klik om de stille functie in of uit te schakelen en de timing in te stellen.
6	MODUS	Klik om de modusinstelling en de doeltemp in te stellen. Interface instellen
7	Temp. curve	Klik om de temperatuur en vermogenscurve te bekijken.
8	Water Invoer Temp.	Klik om de modusinstelling en de doeltemp in te stellen. Interface instellen
9	SLOT	Klik om het scherm te vergrendelen. Voer „22“ in om het scherm te ontgrendelen door op de „vergrendelknop“ te drukken

4.2 KLEURENSCHERM DRAAD CONTROLLER FUNCTIE INLEIDING

(1) Opstarten en afsluiten
Zoals aangetoond in figuur 1.1: Klik in de uitschakel-status op **1** en de unit wordt gestart
Klik in de opstartstatus op **1** en de unit wordt uitgeschakeld.

(2) Modusschakelaar en doeltemperatuurinstelling

(2.1) Modusschakelaar
Klik in de hoofdinterface op de modusknop of de instelknop voor de inlaatwatertemperatuur, de interface wordt als volgt weergegeven:



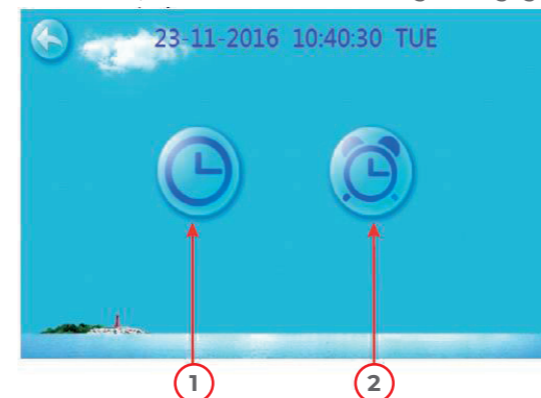
Klik op de koelmodusknop **1**, de automatische modusknop **2** of de verwarmingsmodusknop **3**, waardoor u de overeenkomstige modus kunt selecteren. Opmerking: wanneer de unit is ontworpen enkel voor automatische modus of thermische modus, kan de modus niet worden gewijzigd.

(2.2) Doeltemp. instellen
Klik op de temperatuur instelknop **4**, u kan nu de doeltemperatuur instellen.

ZWEMBAD WARMTEPOMP TYPE PV

(3) Klokinstelling

Klik in de hoofdinterface op de knop Instellingen van de klok, de interface wordt als volgt weergegeven:



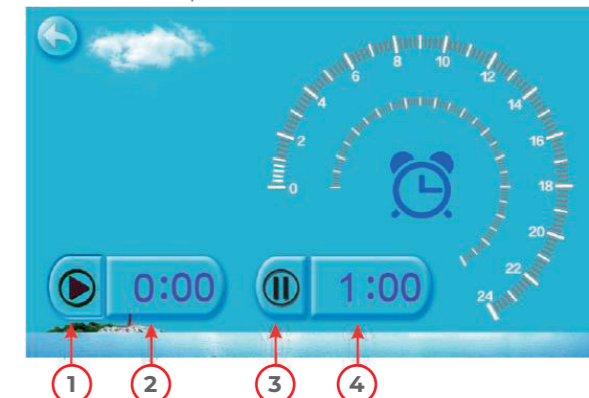
(3.1) De werking van de tijdstelling
Klik op de knop Tijdstellingen **1**, de interface wordt als volgt weergegeven:



Klik op de waarde om de tijd in te stellen, klik op de knop Bevestigen om de instellingen op te slaan. Bijvoorbeeld: insteltijd: 30-11-2016 16:00:00, voer 30 11 16 16 00 00 in, de tijd wijzigt en klik op de knop Bevestigen. Opmerking: indien het invoerformaat niet correct is, wordt de verkeerde tijd opgeslagen door op de knop Bevestigen te klikken.

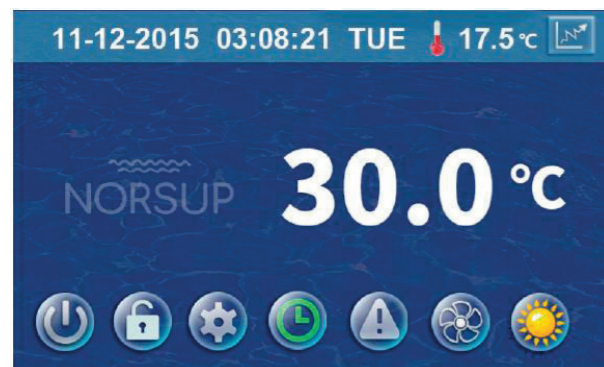
(3.2) De werking van de tijdsinstellingen

Klik op de timing set-knop **2** om de timing set-interface te openen.



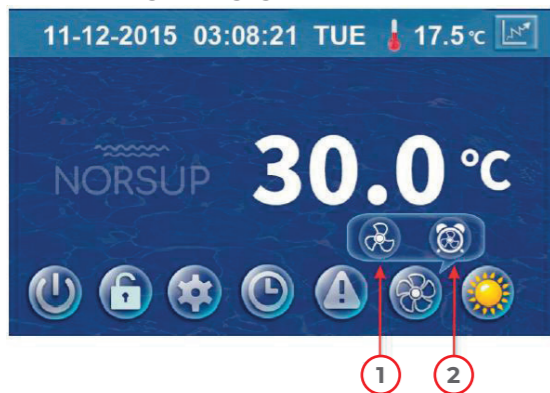
NR.	NAAM	KLEUR KNOP	FUNCTIONKNOP
1	Tijdstabel	- Start: groen - Einde: grijs	Klik op deze knop om de startinstellingsfunctie van de tijd te starten of te beëindigen
2	Tijd bij instelling		Klik om de starttijd van de tijd in te stellen
3	Eindknop tijd	- Open: rood - Einde: grijs	Klik op deze knop om de functie voor het instellen van het einde van de timing te starten of te beëindigen
4	Tijd uit instelling		Klik om de eindtijd van de tijd in te stellen

ZWEMBAD WARMTEPOMP TYPE PV

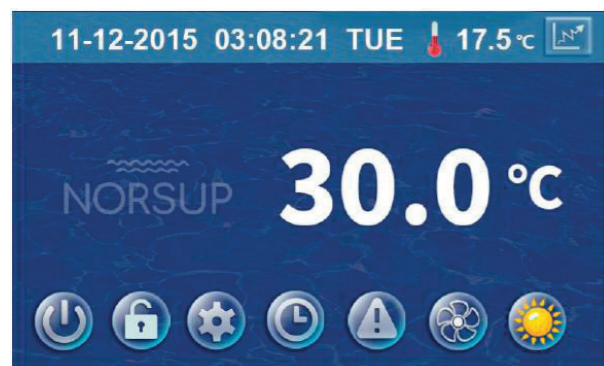


Toen de timer begon, is de klokknop groen in de hoofdinterface.

(4) Stille instelling en stille tijdsinstelling
Klik op de knop 'Stille instelling' en de interface wordt als volgt weergegeven:



(4.1) De stille knop
Klik op de stille knop 1, de unit gaat naar de stille modus en de interface wordt als volgt weergegeven:



Klik nogmaals op de stille knop 1 om de stille modus te verlaten.

4-2 Instelling stille functie timing
Klik op stille tijdsknop 2 en de interface wordt als volgt weergegeven:



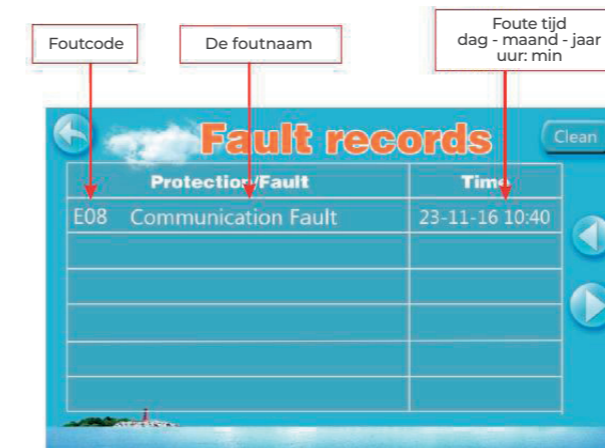
NR.	NAAM	KLEUR	FUNCTIE
1	Stille tijd uit	Gebruikt: rood Niet gebruikt: grijs	Klik om te gebruiken of niet te gebruiken
2	Stille tijd aan	Gebruikt: green Niet gebruikt: gray	Klik om te gebruiken of niet te gebruiken
3	Stille tijd starttijd		Klik op deze knop om de start stille tijd in te stellen
4	Stille tijd eindtijd		Klik op deze knop de eind stille tijd in te stellen

De instelwaarde voor de starttijd en eindtijd moet tussen 0:00 en 23:00 liggen en de instellingswaarde moet tot één uur nauwkeurig zijn.

Klik bijvoorbeeld hierboven op „AAN“ om stil te gebruiken, De unit zal de stille tijd starten op 0:00 en eindigen om 4:00; klik op „UIT“ om de stille tijd ongebruikt te maken, maar als de unit in de stille timingmodus staat, zal het de stille timing onmiddellijk verlaten.

ZWEMBAD WARMTEPOMP TYPE PV

(5) Geschiedenis van de fout
In de hoofdinterface klikt u op de foutweergavetoets, de interface wordt als volgt weergegeven:



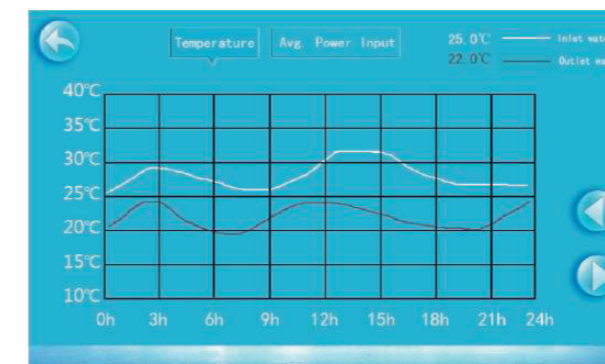
Als er geen fout optreedt, geeft de hoofdinterface statische „▲“ weer. Wanneer er een fout optreedt, knippert het foutpictogram tussen de „▲“ en „▲▲“, de foutinterface registreert tijd, code, naam van de fout. Als u na het oplossen van problemen het foutrecord niet controleert, de hoofdinterface geeft statische „▲▲“ weer; als u de foutmelding controleert, geeft de hoofdinterface statische „▲“ weer;

Storingsregistratie is in omgekeerde volgorde, afhankelijk van de gebeurlijke tijd.

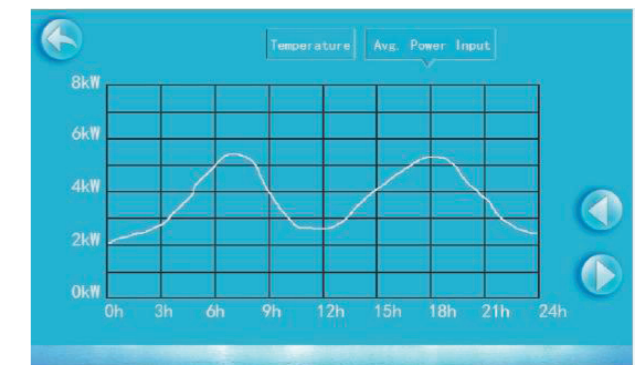
Druk op de toets „Verwijder“, u kunt de foutmelding verwijderen

(6) Temperatuurcurve
Klik in de hoofdinterface op de curve-weergaveknop, interface wordt als volgt weergegeven:

(6.1) De temperatuurregistratiecurve is als volgt:



(6.2) De gemiddelde vermogenscurve



De temperatuurcurve wordt elk uur automatisch bijgewerkt en het curve-record wordt 60 dagen bewaard;

Begin met de laatste curve-bespaarde tijd, als de stroom is uitgeschakeld en de curve gegevensverzamelingsperiode minder dan een uur is, worden de gegevens in deze periode niet opgeslagen;

ZWEMBAD WARMTEPOMP TYPE PV

4.3 PARAMETER LIST AND BREAKDOWN TABLE

(1) Electronic control fault table

Can be judged according to the remote controller failure code and troubleshooting

Bescherm/fout	Fout tonen	Reden	Eliminatie methode
Standby	Neen		
Normal boot	Neen		
Inlaat Temp. Sensor fout	P01	De temp. Sensor is defect of er ontstond kortsluiting	Kijk de temp. sensor na of vervang deze
Uitlaat Temp. Sensor fout	P02	De temp. Sensor is defect of er ontstond kortsluiting	Kijk de temp. sensor na of vervang deze
Ambient Temp. Sensor fout	P04	De temp. Sensor is defect of er ontstond kortsluiting	Kijk de temp. sensor na of vervang deze
Spoel Temp. Sensor fout	P05	De temp. Sensor is defect of er ontstond kortsluiting	Kijk de temp. sensor na of vervang deze
Afzuig Temp. Sensor fout	P07	De temp. Sensor is defect of er ontstond kortsluiting	Kijk de temp. sensor na of vervang deze
Ontlading Temp. Sensor fout	P081	De temp. Sensor is defect of er ontstond kortsluiting	Kijk de temp. sensor na of vervang deze
Hogedruk Besch.	E01	De hogedruk knop is defect	Kijk de drukschakelaar en het koude circuit na
Lage druk Besch.	E02	Lage druk 1 bescherming	Kijk de drukschakelaar en het koude circuit na
Flowschakelaar Besch.	E03	Geen of te weinig water in het watersysteem	Kijk de leidingwaterstroom en waterpomp na
Antivries Besch.	E07	Te weinig waterstroom	Kijk de leidingwaterstroom na kijk na of het watersysteem is vastgelopen of niet
Eerste Antivries Besch.	E19	Omgevingstemp is te laag	
Tweede Antivries Besch.	E29	Omgevingstemp is te laag	
In- en uitlaat temp. te hoog	E06	Te weinig waterstroom en lage differentiele druk	Kijk de leidingwaterstroom na kijk na of het watersysteem is vastgelopen of niet
Lage temperatuur bescherming	Neen	Omgevingstemp is te laag	
Comp. Te veel stroom Besch.	E051	De compressor is overladen	Kijk na of het systeem van de compressor normaal werkt
Afvoerlucht boven Temp Besch.	P082	De compressor is overladen	Kijk na of het systeem van de compressor normaal werkt
Communicatie Fout	E08	Communicatie fout tussen draadcontroller en moederbord	Kijk de draadverbinding tussen de afstandsbediening en het moederbord na
Antivries Temp. Sensor fout	P09	Antivries temp sensor is defect of er ontstond kortsluiting	Kijk de temperatuursensor na en vervang deze
Waterweg Antivries Besch.	E05	water temp. of omgevingstemp. is te laag	
EC ventilator feedback fout	F051	Er is iets mis met de ventilatormotor en de ventilatormotor stopt met draaien	Kijk na of de ventilatormotor defect of vergrendeld is
Sensordruk fout	PP	De druksensor is defect	Kijk of vervang de druksensor
Ventilator Motor1 fout	F031	1. Motor bevindt zich in vergrendelde rotor 2. Er is slecht contact tussen de draadverbinding tussen DC-ventilatormotormodule en de ventilatormotor	1. Vervang met een nieuwe van motor 2. Kijk de draadverbinding na en zorg ervoor dat ze goed contact maken
Ventilator Motor2 fout	F032	1. Motor bevindt zich in vergrendelde rotor 2. Er is slecht contact tussen de draadverbinding tussen DC-ventilatormotormodule en de ventilatormotor	1. Vervang met een nieuwe van motor 2. Kijk de draadverbinding na en zorg ervoor dat ze goed contact maken
Communicatie fout (snelheidsregelmodule)	E081	Snelheidsregelmodule en communicatie op het moederbord zijn mislukt	Kijk de communicatie aansluiting na

ZWEMBAD WARMTEPOMP TYPE PV

STORINGSTABEL FREQUENTIEOMZETTINGSKAART:

Bescherm/fout	Fout tonen	Reden	Eliminatie methode
Drv1 MOP alarm	F01	MOP rit alarm	Herstel na 150s
Offline omvormer	F02	Frequentie conversie bord en moederbord communicatie mislukt	Controleer de communicatieaansluiting
IPM bescherming	F03	IPM modulaire bescherming	Herstel na 150s
Comp. Rit Fout	F04	Gebrek aan fase, stap of schijf hardware schade	Kijk de meetspanning na
DC Ventilator Fout	F05	Motorstroom feedback open circuit of kortsluiting	Kijk de hardware van de frequentieomzettingsskaart na
IPM Overstroom	F06	IPM-ingangsstroom is groot	Kijk of de stroomretourdraden de motor hebben aangesloten
Inv. DC Overspanning	F07	DC-busspanning > DC-bus overspanningsbeveiliging	Kijk de huidige meting na en pas aan
Inv. DC Minder spanning	F08	DC-busspanning < DC-bus overspanningsbeveiliging	Kijk de ingangsspanningsmeting na
Inv. Invoer Minder spanning.	F09	De ingangsspanning is laag, waardoor de ingangsstroom hoog is	Kijk de ingangsspanningsmeting na
Inv. Invoer Overvolt.	F10	De ingangsspanning is te hoog, meer dan stroomonderbrekingsstroom RMS	Kijk de huidige meting na en pas aan
Inv. Bemonstering Volt.	F11	De bemonsteringsfout van de ingangsspanning	Kijk de ingangsspanningsmeting na
Comm. Err DSP-PFC	F12	DSP en PFC aansluitfout	Kijk de communicatieaansluiting na
Invoer Over Cur.	F26	De apparatuurbelasting is te groot	
PFC-fout	F27	De PFC-circuitbescherming	Kijk de kortsluiting na van de PFC-schakelaarbus
IPM Oververhitting	F15	De IPM-module is oververhit	Kijk de de huidige meting na en pas aan
Zwak magnetisch waarschuwen	F16	Magnetische kracht van de compressor is niet voldoende	
Inv. Ingangsfase	F17	De ingangsspanning verloor fase	Kijk spanningsinstelling na en meet
IPM-bemonsterings cur.	F18	IPM-bemonstering elektriciteit is fout	Kijk de huidige meting na en pas aan
Inv. Temp. Sonde mislukt	F19	Sensor kortgesloten of open circuit	Kijk de sensor na en vervang
Omvormer oververhit	F20		Kijk de huidige meting na en pas aan
Inv. Oververhitting waarschuwen	F22	De transducer is oververhit	Kijk de huidige meting na en pas aan
Comp. Over Cur. Waarschuwen	F23	Transducenttemperatuur is te hoog	De overstroombeveiliging van de compressor
Input Over Cur. Waarschuwen	F24	Compressorelektriciteit is groot	Kijk de huidige meting na en pas aan
EEPROM Fout waarschuwen	F25	Ingangsstroom is te groot	Kijk of de chip is beschadigd Vervang de chip
V15V over / onderspanning fout	F28	MCU-fout	Kijk of de V15V-ingangsspanning binnen het bereik 13.5v ~ 16.5v

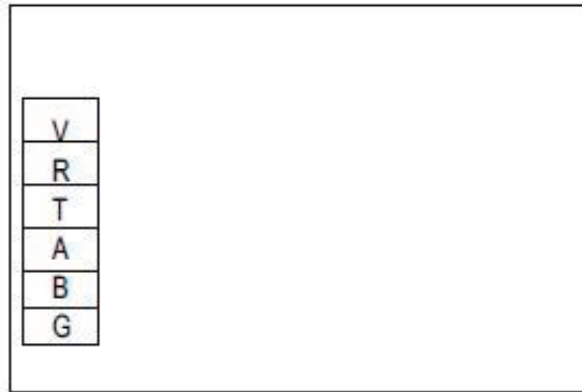
(2) Parameter list

Betekenis	Fout	Operingen
Instelpunt Gewenste koeltemperatuur	28°C	Aanpasbaar
Instelpunt verwarmen van het gewenste temperatuur	28°C	Aanpasbaar
Instelpunt automatisch richtpunt streef temperatuur	27°C	Aanpasbaar

ZWEMBAD WARMTEPOMP TYPE PV

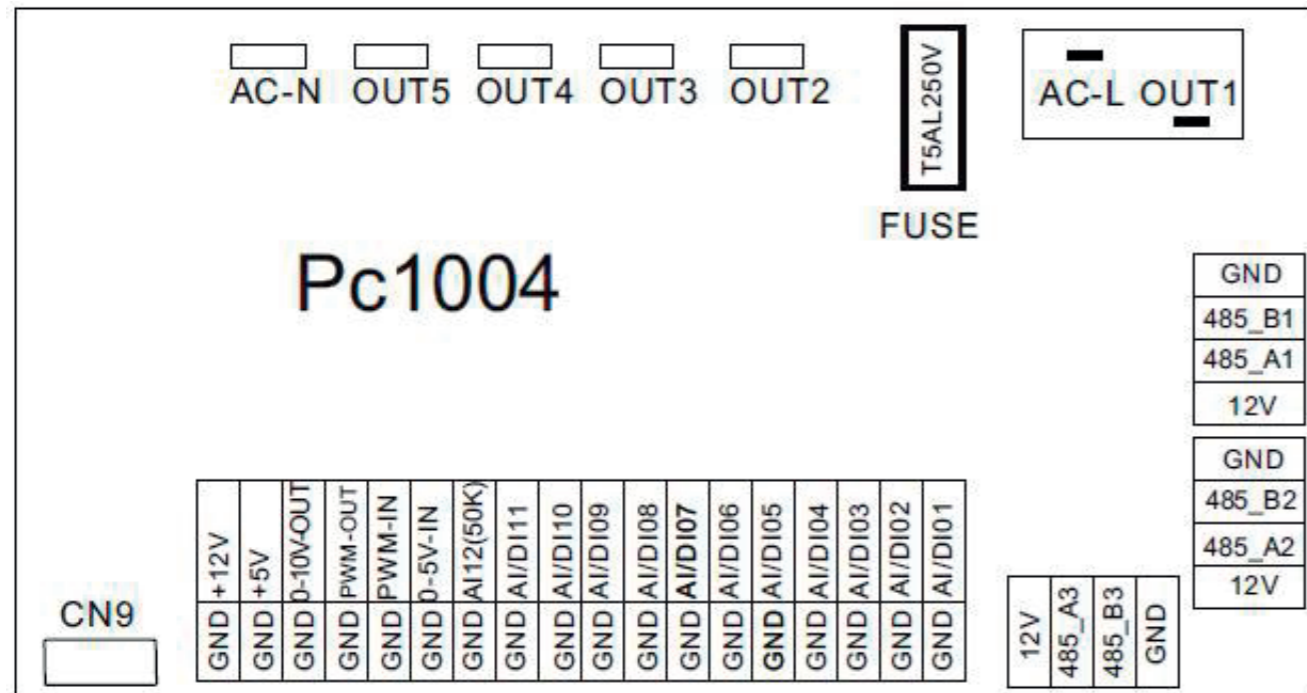
4.4 INTERFACE TEKENEN

(1) Draadbedieningsinterfacediagram en definitie



Symbol	Betekenis
V	12V (stroom +)
R	Geen gebruik
T	Geen gebruik
A	485A
B	485B
G	GND (stroom -)

(2) Controller interface diagram en definitie



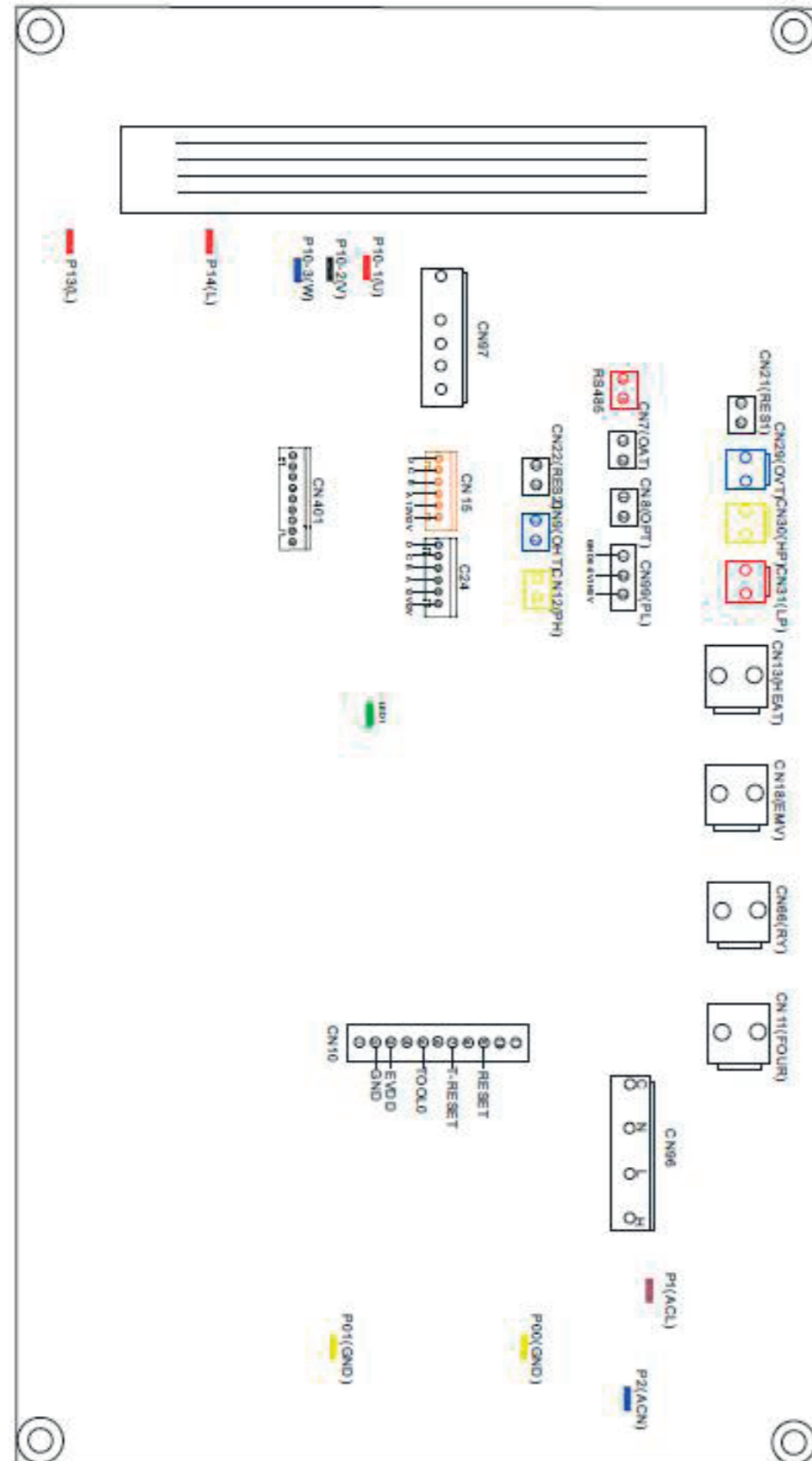
ZWEMBAD WARMTEPOMP TYPE PV

Moederbord van de onderstaande invoer- en uitvoerinterface-instructies

Nummer	Symbol	Betekenis
01	OUT1	Compressor (uitvoer 220-230VAC)
02	OUT2	Waterpomp (uitvoer 220-230VAC)
03	OUT3	4-wegklep (uitvoer 220-230VAC)
04	OUT4	Hoge ventilatorsnelheid (uitvoer 220-230VAC)
05	OUT5	Lage ventilatorsnelheid (uitvoer 220-230VAC)
06	AC-L	Leefdraag (invoer 220-230VAC)
07	AC-N	Neutrale draad (invoer 220-230VAC)
08	AI/DI01	Noodstop invoer
09	AI/DI02	Waterstroomknop invoer
10	AI/DI03	Systeem lage druk invoer
11	AI/DI04	Systeem hoge druk invoer
12	AI/DI05	Systeem afzuig temperatuur bij invoer
13	AI/DI06	Waterinvoer temperatuur invoer
14	AI/DI07	Water uitvoer temperatuur (invoer)
15	AI/DI08	Systeem ventilator ventilator temperatuur invoer
16	AI/DI09	Omgevingstemperatuur invoer
17	AI/DI10	Modus knop invoer
18	AI/DI11	Master-slave machineknop/Antivries temperatuur invoer
19	AI12(50K)	Systeem Uitgang temperatuur invoer
20	0_5V_IN	Compressor stroomdetectie/Sensor druk (invoer)
21	PWM_IN	Master-slave machineknop/ Feedback signaal van EC ventilator (invoer)
22	PWM_OUT	ventilator controle (uitvoer)
23	0_10V_OUT	ventilator controle (uitvoer)
24	+5V	+5V (uitvoer)
25	+12V	+12V (uitvoer)
26	GND	
27	485_B1	Frequentie conversie bord communicatie
28	485_A1	
29	12V	
30	GND	
31	485_B2	Color line controller communicatie
32	485_A2	
33	12V	
34	CN9	Elektronisch expansieventiel
35	GND	
36	485_B3	De poort voor gecentraliseerd controlesysteem
37	485_A3	
38	12V	

ZWEMBAD WARMTEPOMP TYPE PV

Controller interface diagram en definitie



ZWEMBAD WARMTEPOMP TYPE PV

Moederbord van de onderstaande invoer- en uitvoerinterface-instructies

Nummer	Symbol	Betekenis
01	P10-(U)	Compressor (uitvoer 220-230VAC)
02	P10-(V)	
03	P10-(W)	
04	CN18(EMV)	Waterpomp (uitvoer 220-230VAC)
05	CN13(HEAT)	4-wegklep (uitvoer 220-230VAC)
06	CN96(H)	Hoge snelheid ventilator (uitvoer 220-230VAC)
07	CN96(L)	Lage snelheid ventilator (uitvoer 220-230VAC)
08	P1 (AC-L)	Leefdraad (invoer 220-230VAC)
09	P2(AC-N)	Neutrale draad (invoer 220-230VAC)
10	CN99(PL)	Druk sensor
11	CN29(OVT)	Waterstroom knop (invoer)
12	CN30(HP)	Hogedruk knop (invoer)
13	CN31(LP)	Low pressure switch (invoer)
14	CN7(OAT)	Systeem afzuig temperatuur (invoer)
15	CN21(RES1)	Waterinvoer temperatuur (invoer)
16	CN22(RES2)	Water uitvoer temperatuur (invoer)
17	CN8(OPT)	Systeem ventilator spoeltemperatuur (invoer)
18	CN12(PH)	Omgevingstemperatuur (invoer)
19	CN9(OHT)	Systeem Uitlaattemperatuur (invoer)
20	P00(GND)	Aarddraad
21	P01(GND)	Aarddraad
22	P13(L) P14(L)	Electrische reactor
23	R485(B) R485(A)	Color line controller communicatie
24	CN15	Elektronisch expansieventiel

ZWEMBAD WARMTEPOMP TYPE PV

5. ONDERHOUD EN INSPECTIE

Kijk de watertoevoer na en ontgrendeling regelmatig. U moet vermijden dat er geen water of lucht in het systeem komt, omdat dit de prestaties en betrouwbaarheid van de unit kan beïnvloeden. De zwembad-/spafilter moet regelmatig gereinigd worden om schade aan de unit als gevolg van het vuile of verstopte filter te voorkomen.

Het gebied rond de unit moet droog, proper en goed geventileerd zijn. Reinig de zijwarmtewisselaar regelmatig om een goede warmtewisseling te behouden en energie te besparen.

De werkdruk van het koelsysteem mag alleen worden onderhouden door een gecertificeerde technicus.

Kijk de voeding en kabelverbinding vaak na. Mocht de unit abnormaal beginnen te werken, schakel het dan uit en neem contact op met de gekwalificeerde technicus.

Verwijder al het water in de waterpomp en het watersysteem, zodat er geen water in de pomp of het watersysteem bevriest. U moet het water op de bodem van de waterpomp verwijderen als de unit lange tijd niet gebruikt wordt. U moet de unit grondig nakijken en het systeem volledig met water vullen voordat u het voor de eerste keer gebruikt.

Kijk de gebieden na

Vooraleer u werkzaamheden uitvoert aan systemen die ontvlambare koelmiddelen bevatten, zijn veiligheidscontroles noodzakelijk teneinde het risico van ontsteking tot een minimum te beperken. Voor herstelling van het koelsysteem moeten de volgende voorzorgsmaatregelen worden genomen vooraleer werkzaamheden worden uitgevoerd.

Werkwijze

De werkzaamheden moeten volgens een gecontroleerde procedure worden uitgevoerd om het risico op aanwezigheid van ontvlambare gas of damp tijdens de uitvoering van het werk te minimaliseren.

Algemene werkwijze

Al het onderhoudspersoneel en anderen die in de omgeving werken, moeten worden geïnstrueerd over de aard van de werkzaamheden die worden uitgevoerd. Werken in afgesloten ruimtes moet worden vermeden. Het gebied rond de werkruimte wordt afgesloten. Zorg ervoor dat de omstandigheden in het gebied veilig zijn gesteld door controle van brandbaar materiaal.

Controle op aanwezigheid van koelmiddel

Het gebied moet vóór en tijdens het werk worden gecontroleerd met een geschikte koudemiddeldetector om ervoor te zorgen dat de technicus op de hoogte is van mogelijk ontvlambare atmosferen. Zorg ervoor dat de gebruikte lekdetectieapparatuur geschikt is voor gebruik met ontvlambare koelmiddelen, d.w.z. niet vonkend, voldoende afgedicht of intrinsiek veilig.

Aanwezigheid van brandblusser

Als er hete werkzaamheden aan de koelapparatuur of aanverwante onderdelen moeten worden uitgevoerd,

moeten geschikte blusmiddelen beschikbaar zijn. Zorg voor een droog poeder of CO₂-brandblusser naast het oplaadgebied.

Geen ontstekingsbronnen

Niemand die werkzaamheden uitvoert in verband met een koelsysteem waarbij leidingen worden blootgesteld die ontvlambaar koelmiddel bevatten of hebben bevat, mag ontstekingsbronnen zodanig gebruiken dat dit kan leiden tot het risico van brand of explosie. Alle mogelijke ontstekingsbronnen, inclusief roken van sigaretten, moeten voldoende ver verwijderd worden van de plaats van installatie, reparatie, verwijdering en verwijdering, gedurende welke ontvlambaar koelmiddel mogelijk in de omliggende ruimte kan vrijkomen. Voordat werkzaamheden worden uitgevoerd, moet het gebied rond de apparatuur worden onderzocht om te controleren of er geen ontvlambare gevaren of ontstekingsrisico's zijn. „Niet roken“ -borden moeten opgehangen worden.

Geventileerde ruimte

Zorg ervoor dat het gebied open is of dat het voldoende geventileerd is voordat u in het systeem breekt of het heet werk uitvoert. Een continue ventilatie moet tijdens de periode dat de werkzaamheden worden uitgevoerd. De ventilatie moet eventueel vrijgekomen koelmiddel veilig verspreiden en bij voorkeur extern naar de atmosfeer verdrijven.

Controles op de koelapparatuur

Wanneer elektrische componenten worden vervangen, moeten deze geschikt zijn voor het doel en bestemd zijn voor de juiste specificaties. De richtlijnen voor onderhoud en service van de fabrikant moeten steeds opgevolgd worden. Raadpleeg bij een twijfelgeval de technische afdeling van de fabrikant. De volgende controles moeten worden toegepast op installaties die ontvlambare koelmiddelen gebruiken: De vulgrootte moeten overeen komen met de ruimte waarin onderdelen welke koelmiddelen bevatten, zijn geïnstalleerd; De ventilatiemachines en uitlaten werken correct en worden niet verhinderd; Als een onrechtstreeks koelcircuit wordt gebruikt, moet het secundaire circuit worden gecontroleerd op de aanwezigheid van koelmiddel; Aanwijzingen op de apparatuur moet zichtbaar en leesbaar zijn. Markeringen en tekens die onleesbaar zijn, moeten worden aangepast; Koelpijpen of -componenten worden geïnstalleerd op een plaats waar het onwaarschijnlijk is dat ze worden blootgesteld aan een stof die componenten die koelmiddelen bevatten kunnen corroderen, tenzij de componenten gemaakt zijn van materialen die inherent resistent zijn tegen corrosie of voldoende zijn beschermd om zo te worden gecorrodeerd.

Nazicht van elektrische apparaten

Herstelling en onderhoud van elektrische componenten bevat initiële veiligheidscontroles en inspectieprocedures voor componenten. Indien er een storing optreedt welke de veiligheid in gedrang kan brengen, mag er geen elektrische voeding op het circuit worden aangesloten totdat deze werd aangepast. Als de fout niet onmiddellijk kan worden verholpen, maar de werking moet worden verdergezet, moet een geschikte tijdelijke oplossing worden gevonden.

ZWEMBAD WARMTEPOMP TYPE PV

Dit wordt gerapporteerd aan de eigenaar van de apparatuur, zodat beide partijen geïnformeerd zijn.

Eerste veiligheidscontroles moeten omvatten:

- Dat condensatoren worden ontladen: dit moet op een veilige manier gebeuren om vonkvorming te voorkomen;
- Dat er geen onder spanning staande elektrische componenten en bedrading worden blootgesteld tijdens het opladen, herstellen of spoelen van het systeem;
- Dat er continuïteit van aardverbindingen is.

Herstellingen aan verzegelde componenten

- 1 Tijdens herstellingen aan verzegelde componenten moeten alle elektrische voedingen worden losgekoppeld van de apparatuur waaraan wordt gewerkt voordat de verzegelde deksels worden verwijderd, enz. Als het absoluut noodzakelijk is om tijdens onderhoud een elektrische apparatuur te hebben, moet een permanent werkende vorm van lekdetectie moet zich op het meest kritieke punt bevinden om te waarschuwen voor een mogelijk gevaarlijke situatie.
- 2 Er moet speciale aandacht worden besteed aan het volgende om ervoor te zorgen dat door het werken aan elektrische componenten de behuizing niet zodanig wordt gewijzigd dat het beschermingsniveau wordt beïnvloed. Dit omvat schade aan kabels, overmatig aantal verbindingen, klemmen die niet volgens de oorspronkelijke specificaties zijn gemaakt, schade aan afdichtingen, onjuiste montage van pakkingen, enz.

Controleer of het apparaat veilig gemonteerd werd.

Zorg ervoor dat afdichtingen of afdichtingsmaterialen niet aangetast zijn zodat ze niet langer het binnendringen van ontvlambare atmosferen kunnen voorkomen. Vervangende onderdelen moeten in overeenstemming zijn met de specificaties van de fabrikant. **OPMERKING:** Het gebruik van siliconenkit kan de effectiviteit van sommige soorten lekdetectieapparatuur belemmeren. Intrinsiek veilige componenten hoeven niet vooraf te worden geïsoleerd.

Herstel aan intrinsiek veilige componenten

Breng geen permanente inductieve of capaciteitsbelastingen op het circuit aan zonder ervoor te zorgen dat dit de toegestane spanning en stroom voor de gebruikte apparatuur niet overschrijdt. Intrinsiek veilige componenten zijn de enige typen waaraan gewerkt kan worden terwijl ze zich in de aanwezigheid van een ontvlambare atmosfeer bevinden. Het testapparaat moet de juiste classificatie hebben. Vervang componenten alleen door onderdelen die door de fabrikant zijn gespecificeerd. Andere delen kunnen resulteren in het ontsteken van koelmiddel in de atmosfeer door een lek.

Bekabeling

Kijk na of de kabels niet worden blootgesteld aan slijtage, corrosie, overmatige druk, trillingen, scherpe randen of andere nadelige milieueffecten. Bij het nakijken wordt ook rekening gehouden met de gevolgen van veroudering of voortdurende trillingen van bronnen zoals compressoren of ventilatoren.

Detectie van ontvlambare koelmiddelen

In geen geval mogen potentiële ontstekingsbronnen worden gebruikt bij het zoeken naar of opsporen van koelmiddelreuk. Een halogenidetoorts (of een andere detector die een open vlam gebruikt) mag niet worden gebruikt.

Lekdetectiemethoden

De volgende lekdetectie-methoden worden aanvaardbaar geacht voor systemen die ontvlambare koelmiddelen bevatten. Elektronische lekdetectors moeten gebruikt worden om brandbare koelmiddelen te detecteren, maar de gevoeligheid is mogelijk niet toereikend of moet mogelijk opnieuw worden gekalibreerd. (Detectieapparatuur moet worden gekalibreerd in een koelmiddelvrije ruimte.) Zorg ervoor dat de detector geen potentiële ontstekingsbron is en geschikt is voor het gebruikte koelmiddel. Lekdetectieapparatuur moet worden ingesteld op een percentage van de LFL van het koelmiddel en moet worden gekalibreerd op het gebruikte koelmiddel en het juiste percentage gas (maximaal 25%) wordt bevestigd. Lekdetectievlloeistoffen zijn geschikt voor gebruik van de meeste koelmiddelen, maar het gebruik van chloorhoudende reinigingsmiddelen moet worden vermeden, omdat het chloor kan reageren op het koelmiddel en het koperen leidingwerk kan aantasten. Als er een vermoeden van een lek bestaat, moeten alle open vlammen worden verwijderd/gedoofd. Als een lek van koelmiddel wordt gevonden dat solderen vereist, moet al het koelmiddel uit het systeem worden verwijderd of worden geïsoleerd (door middel van afsluiters) in een deel van het systeem op afstand van het lek. Zuurstofvrije stikstof (OFN) moet dan zowel vóór als tijdens het soldeerproces door het systeem worden gespoeld.

Verwijdering en evacuatie

Bij het binnengaan in het koelcircuit om reparaties uit te voeren of voor enig ander doel, moeten conventionele procedures worden gebruikt. Het is echter belangrijk dat de beste praktijk wordt gevolgd, aangezien ontvlambaarheid een overweging is. De volgende procedure moet worden gevolgd:

- Verwijder koelmiddel;
- Ontlucht het circuit met inert gas;
- Evacueer;
- Spoel opnieuw met inert gas;
- Open het circuit door te snijden of hardsolderen.

De koelmiddelvulling wordt teruggewonnen in de juiste terugwinningscilinders. Het systeem moet worden „gespoeld“ met OFN om de unit veilig te maken. Dit proces moet mogelijk verscheidene malen herhaald worden. Perslucht of zuurstof mag niet voor deze taak worden gebruikt.

Spoelen moet worden bereikt door het vacuüm in het systeem te breken met OFN en door te gaan met vullen totdat de werkdruk is bereikt, vervolgens naar de atmosfeer te ventileren en uiteindelijk naar een vacuüm te trekken. Dit proces moet worden herhaald totdat er geen koelmiddel meer in het systeem zit. Wanneer de laatste OFN-lading wordt gebruikt, moet het systeem worden ontlucht tot atmosferische druk om werkzaamheden mogelijk te maken. Deze bewerking is absoluut noodzakelijk als soldeerwerkzaamheden aan het

ZWEMBAD WARMTEPOMP TYPE PV

leidingwerk moeten plaatsvinden. Zorg ervoor dat de uitlaat voor de vacuümpomp niet in de buurt van ontstekingsbronnen ligt en dat er ventilatie beschikbaar is, eraan werken.

Etiketten

Apparatuur moet worden geëtiketteerd met de vermelding dat deze buiten bedrijf is gesteld en is ontdaan van koelmiddel. Het etiket wordt gedateerd en ondertekend. Zorg ervoor dat er etiketten op de apparatuur staan waarop staat dat de apparatuur brandbaar koelmiddel bevat.

Recovery

Bij het verwijderen van koelmiddel uit een systeem, voor onderhoud of buitenbedrijfstelling, is het aanbevolen om alle koelmiddelen veilig te verwijderen. Zorg ervoor dat bij het overzetten van koelmiddel in cilinders alleen geschikte koelmiddel terugwinningscilinders worden gebruikt. Zorg ervoor dat het juiste aantal cilinders voor het vasthouden van de totale systeemplading beschikbaar is. Alle te gebruiken cilinders zijn aangewezen voor het teruggewonnen koelmiddel en geëtiketteerd voor dat koelmiddel (d.w.z. speciale cilinders voor het terugwinnen van koelmiddel). Cilinders moeten compleet zijn met overdrukventiel en bijbehorende afsluiters en goed werkend. Lege herstelcilinders worden geëvacueerd en, indien mogelijk, afgekoeld voordat herstel plaatsvindt. De terugwinningsapparatuur moeten zich in goede staat bevinden met een reeks instructies betreffende de apparatuur die voorhanden is en moeten geschikt zijn voor de terugwinning van brandbare koelmiddelen. Bovendien moet een set gekalibreerde weegschalen beschikbaar zijn en in goede staat verkeren. Slangen moeten compleet zijn met lekvrije ontkoppelingkoppelingen en zich in goede staat bevinden. Voordat u de bergingsmachine gebruikt, moet u controleren of deze in goede staat verkeert, goed onderhouden is en of alle bijbehorende elektrische componenten afgedicht zijn om ontsteking te voorkomen in geval van een koelmiddelafgifte. Raadpleeg bij twijfel de fabrikant. Het teruggewonnen koelmiddel moet in de juiste terugwinningscilinder aan de koelmiddelleverancier worden teruggestuurd en de relevante afvaloverdrachtnota moet worden geregeld. Meng geen koelmiddelen in terugwinningsunits en vooral niet in cilinders. Als compressoren of zijn oliën moeten worden verwijderd, zorg er dan voor dat ze zijn geëvacueerd tot een aanvaardbaar niveau om ervoor te zorgen dat er geen brandbaar koelmiddel in het smeermiddel achterblijft. Het evacuatieproces moet worden uitgevoerd voordat de compressor naar de leveranciers wordt teruggestuurd. Alleen elektrische verwarming van het compressorlichaam mag worden gebruikt om dit proces te versnellen. Wanneer olie uit een systeem wordt afgevoerd, moet dit veilig worden uitgevoerd.

Ontmanteling

Voordat u deze procedure uitvoert, is het essentieel dat de technicus volledig vertrouwd is met de apparatuur en

alle details. Aanbevolen wordt om alle koelmiddelen veilig terug te winnen. Voorafgaandelijk de uitvoering van deze taak, moet een olie- en koelmiddelmonster worden genomen voor het geval een analyse vereist is voordat het teruggewonnen koelmiddel opnieuw wordt gebruikt. Het is van essentieel belang dat er stroom beschikbaar is voordat de taak van start gaat.

- Raak vertrouwd met de apparatuur en de werking ervan.
- Isoleer het systeem elektrisch.
- Controleer voordat u de procedure probeert: Mechanische handlingapparatuur beschikbaar is, indien nodig, voor het hanteren van koelmiddelcilinders; Alle persoonlijke beschermingsmiddelen beschikbaar zijn en correct gebruikt worden; Het herstelproces staat te allen tijde onder toezicht van een competente persoon; Herstelapparatuur en cilinders voldoen aan de juiste normen.
- Pomp indien mogelijk het koelsysteem naar beneden.
- Als vacuüm niet mogelijk is, maakt u een verdeelstuk zodat koelmiddel uit verschillende delen van het systeem kan worden verwijderd
- Zorg ervoor dat de cilinder zich op de weegschaal bevindt voordat herstel plaatsvindt.
- Start de bergingsmachine en werk volgens de instructies van de fabrikant.
- Vul de cilinders niet te vol. (Niet meer dan 80% vloeistofvolume).
- Overschrijd de maximale werkdruk van de cilinder niet, zelfs niet tijdelijk.
- Wanneer de cilinders correct zijn gevuld en het proces is voltooid, moet u ervoor zorgen dat de cilinders en de apparatuur onmiddellijk van de locatie worden verwijderd en dat alle isolatiekleppen op de apparatuur zijn afgesloten.
- Teruggewonnen koelmiddel mag niet in een ander koelsysteem worden bijgevoerd tenzij het is gereinigd en gecontroleerd.

Oplaadprocedures

Naast conventionele oplaadprocedures moeten de volgende vereisten worden gevolgd.

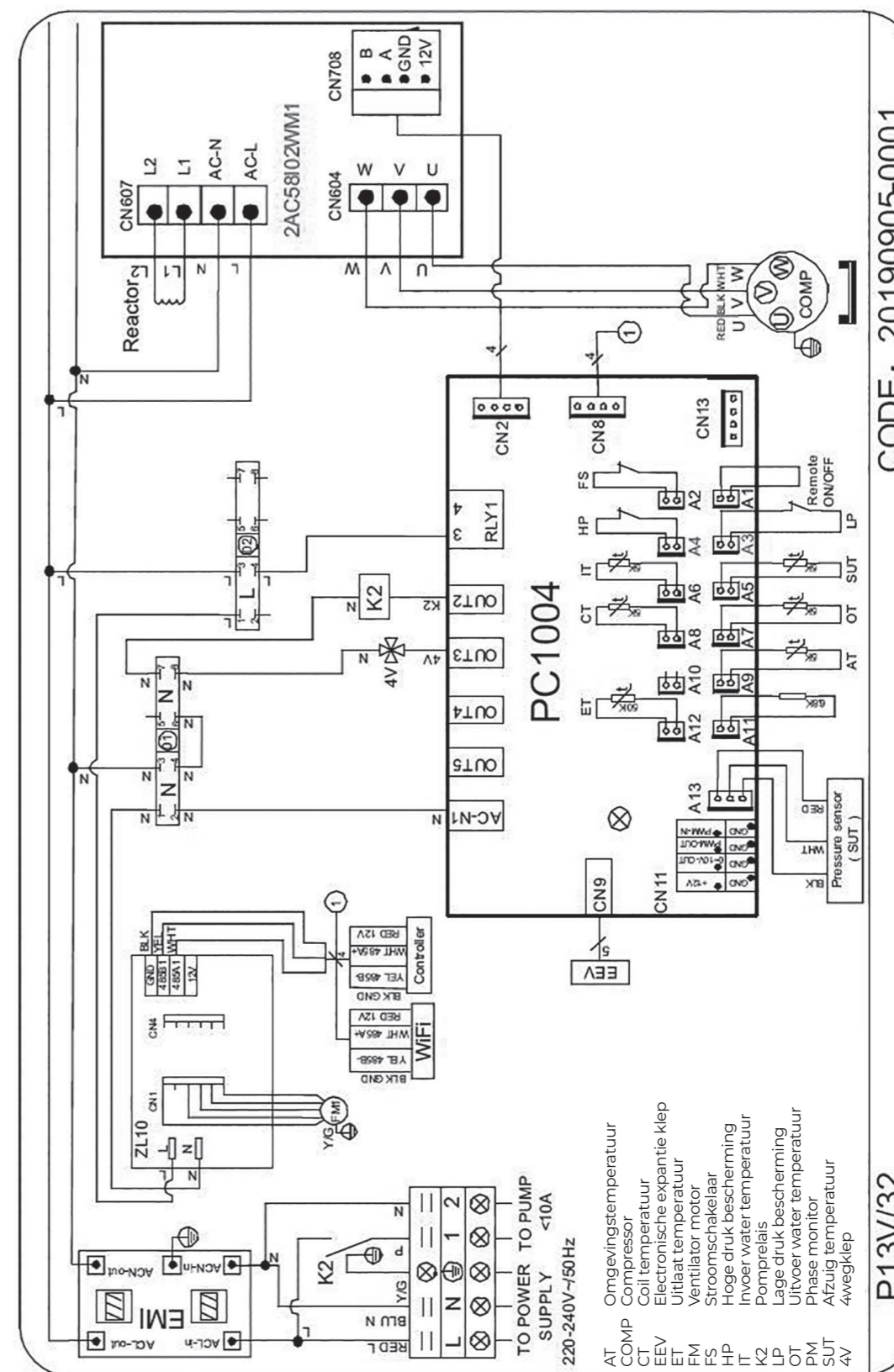
- Zorg ervoor dat bij gebruik van laadapparatuur geen verontreiniging met verschillende koelmiddelen optreedt. Slangen of leidingen moeten zo kort mogelijk zijn om de hoeveelheid koelmiddel erin te minimaliseren.
- Cilinders moeten rechtop worden gehouden.
- Zorg ervoor dat het koelsysteem geaard is voordat u het systeem met koudemiddel vult.
- Label het systeem wanneer het opladen is voltooid (indien nog niet).
- Wees uiterst voorzichtig om het koelsysteem niet te vol te zetten. Voordat het systeem wordt opgeladen, moet het op druk worden getest met OFN. Het systeem moet op lekken worden getest na voltooiing van het opladen, maar vóór de inbedrijfstelling. Voordat het terrein wordt verlaten, moet een follow-up test worden uitgevoerd.

Het veiligheidsdraadmodel is 5*20_5A/250VAC. En moet voldoen aan de explosieveilige eisen.

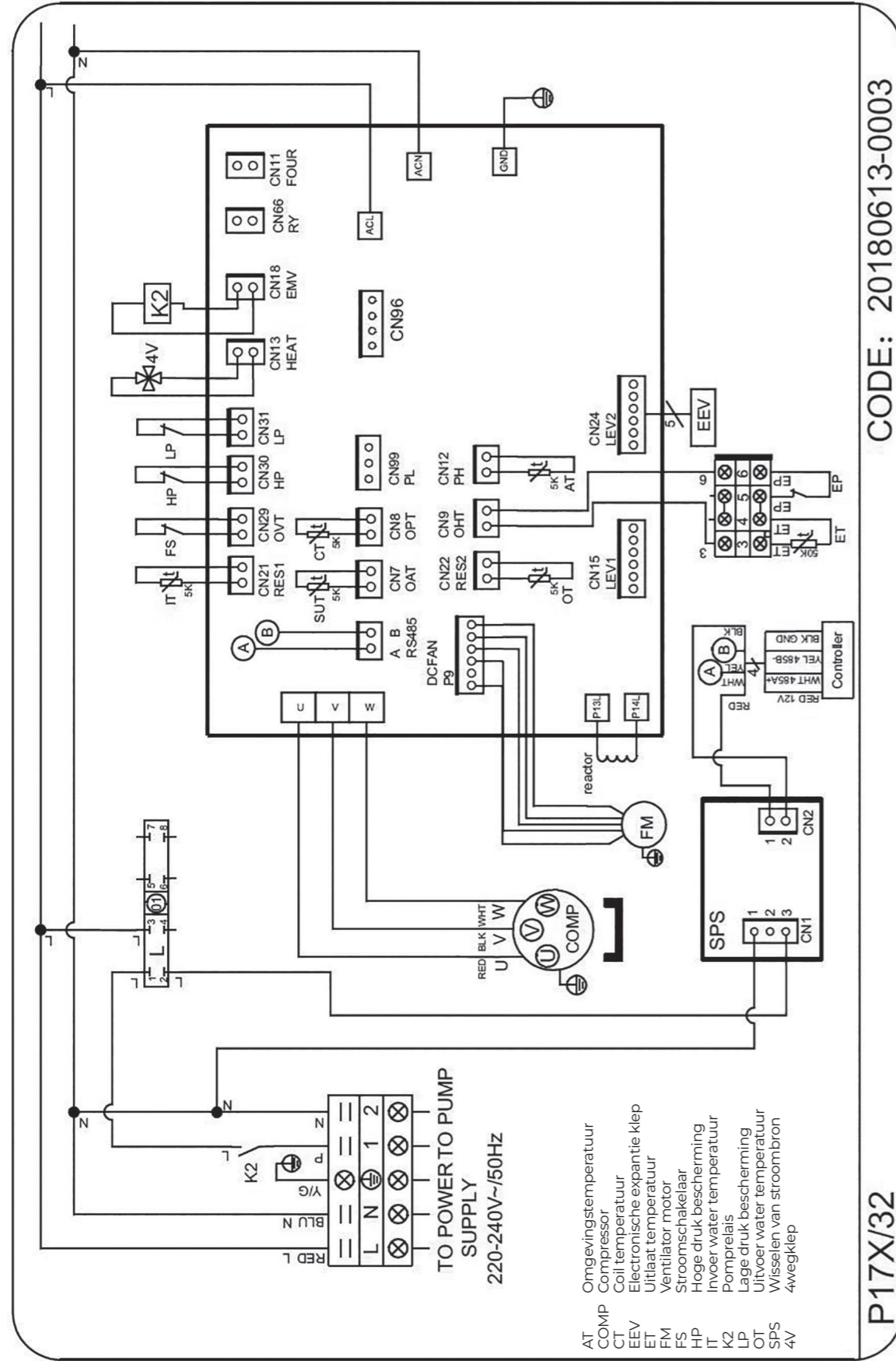
ZWEMBAD WARMTEPOMP TYPE PV

6. BIJLAGE

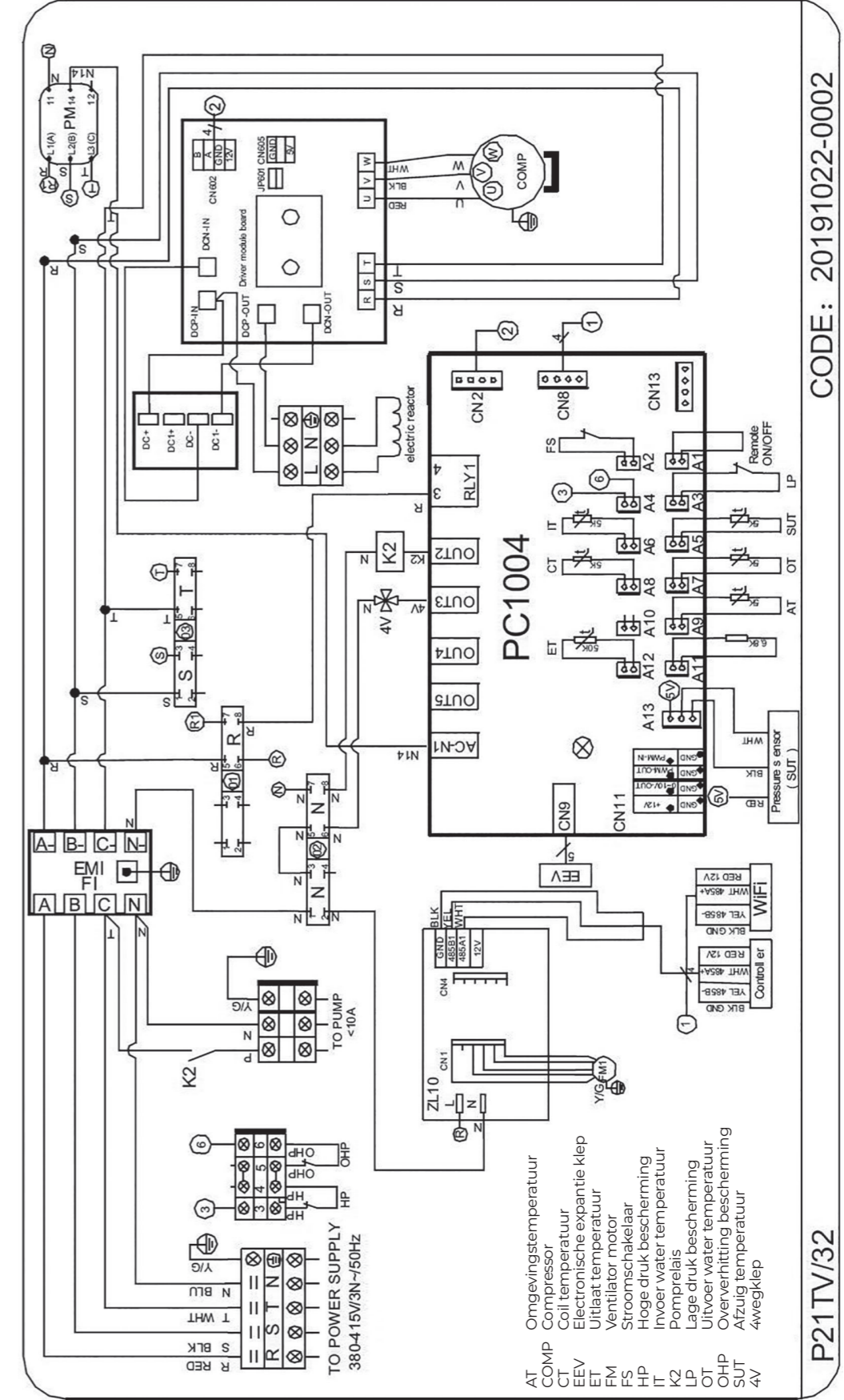
6.1 SCHAKELSCHEMA



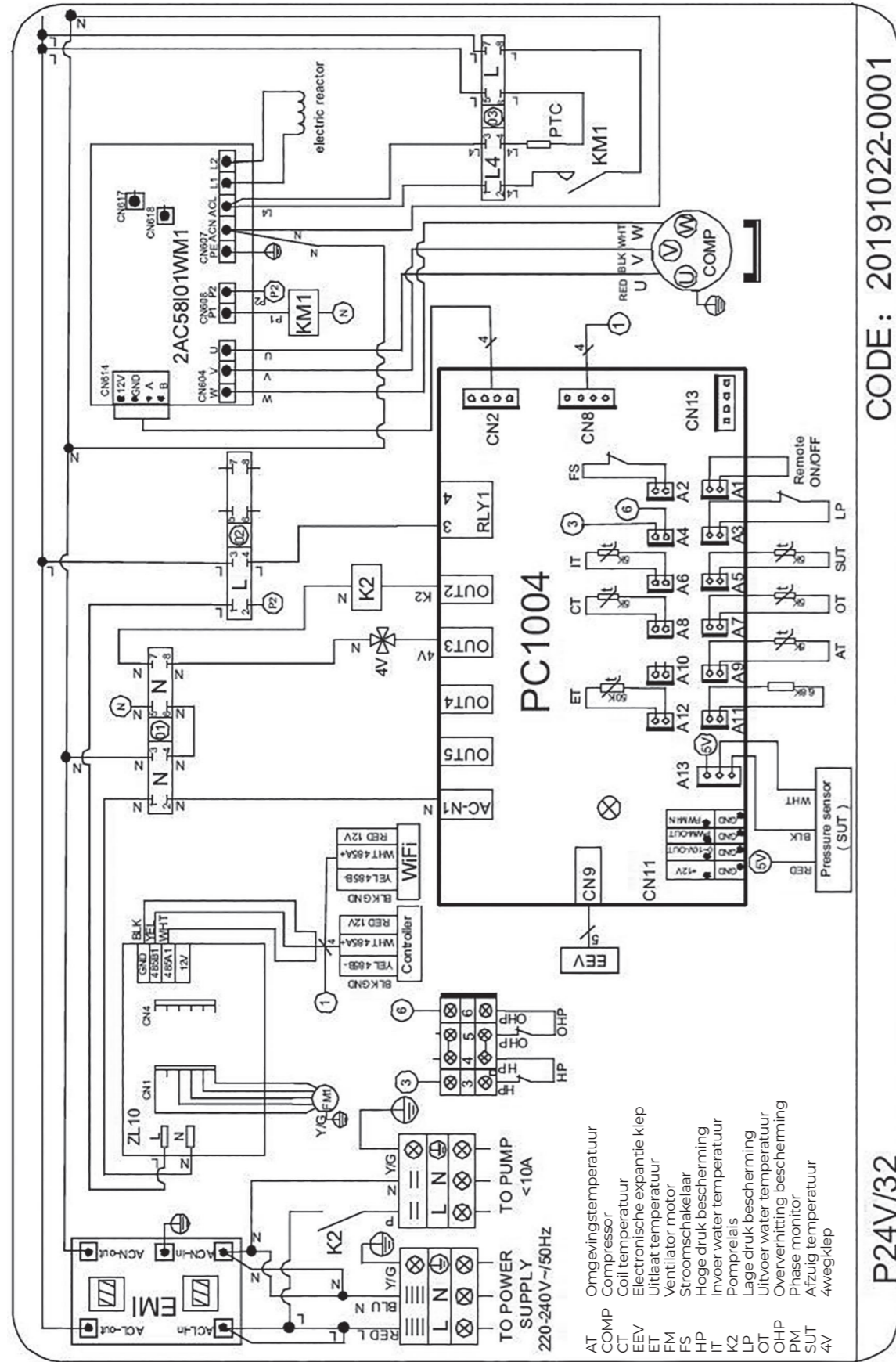
ZWEMBAD WARMTEPOMP TYPE PV



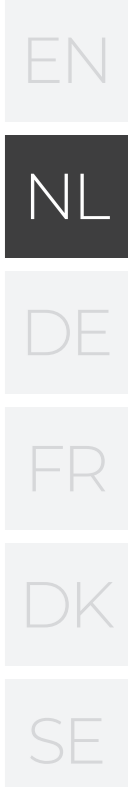
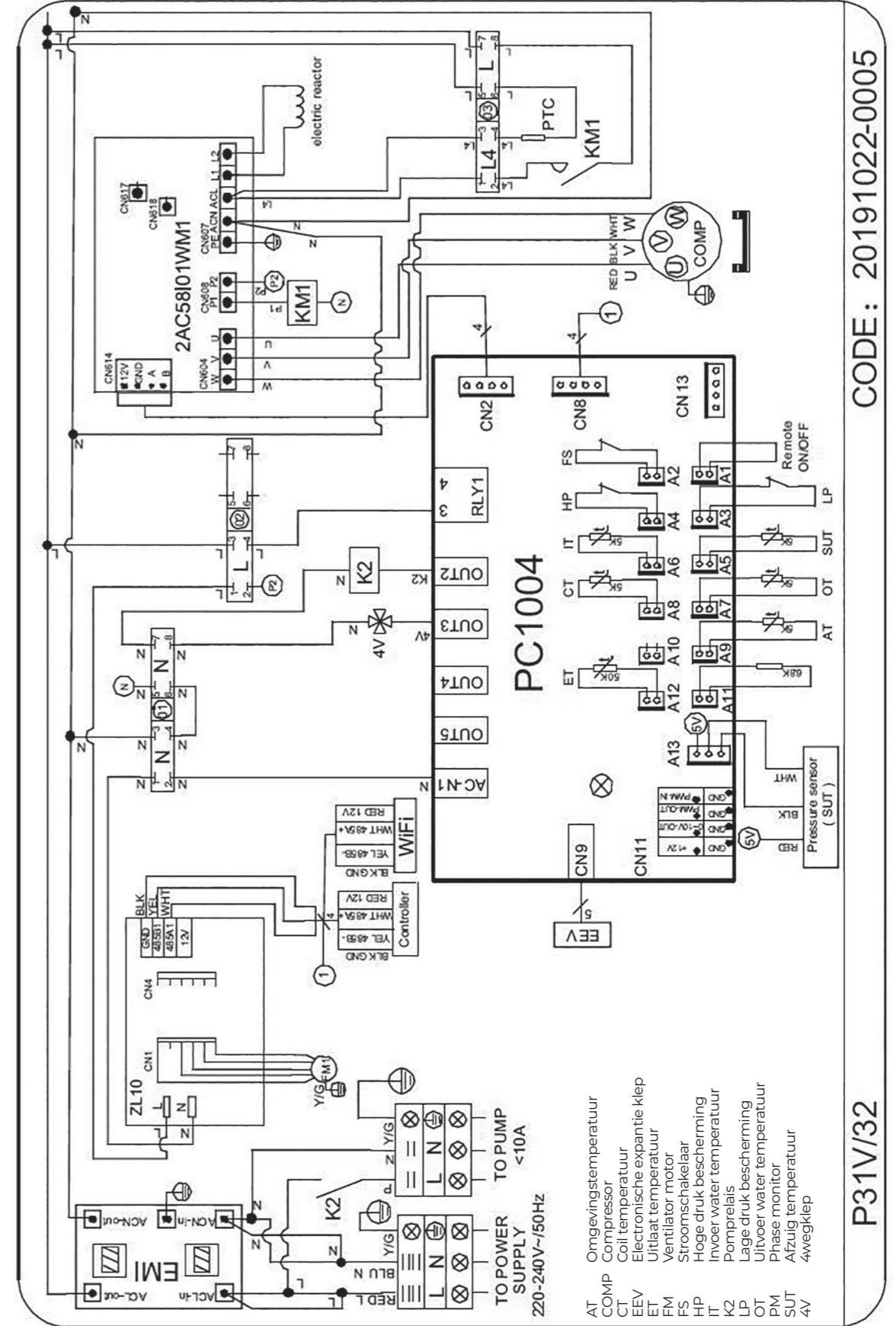
ZWEMBAD WARMTEPOMP TYPE PV



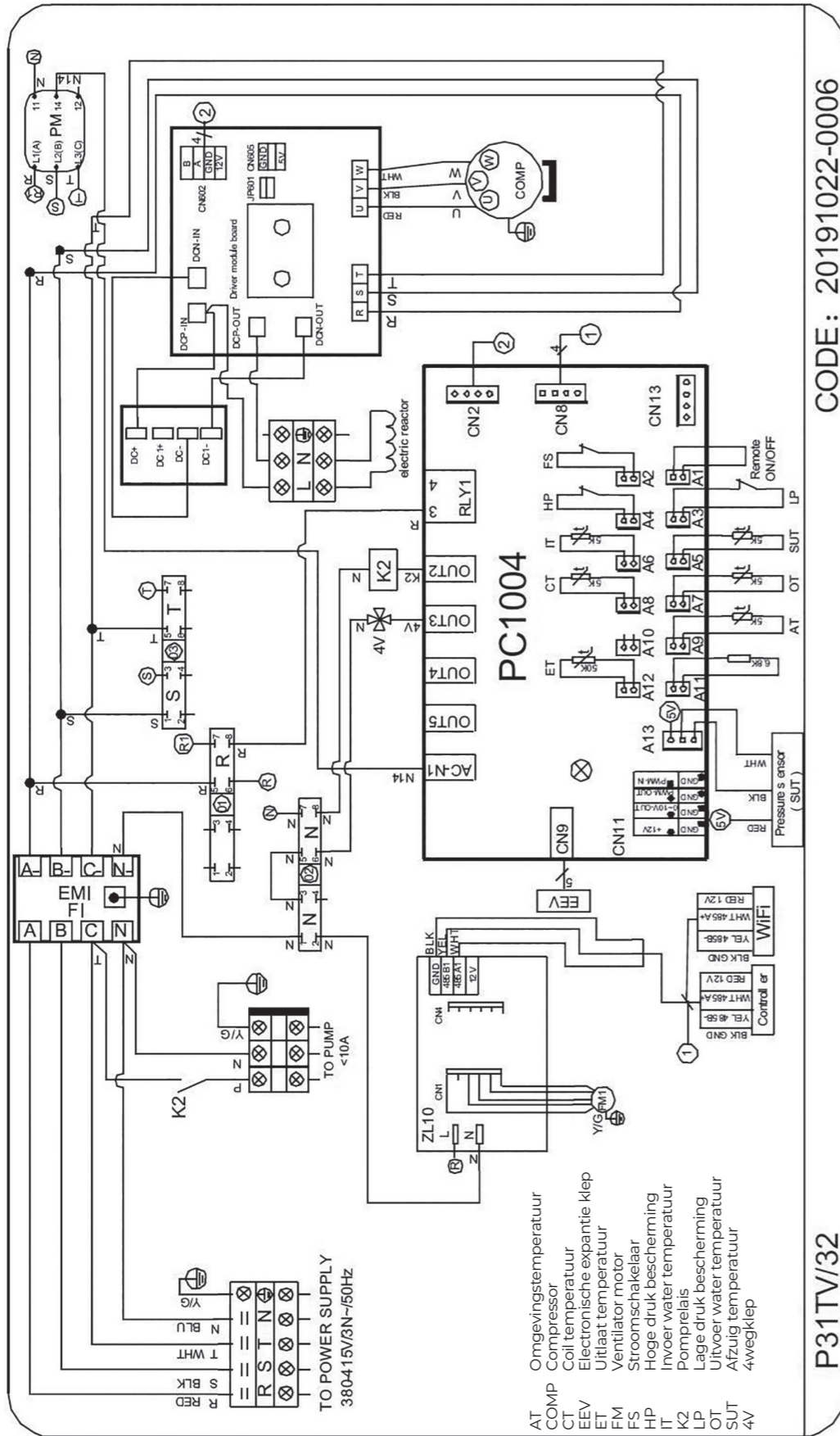
ZWEMBAD WARMTEPOMP TYPE PV



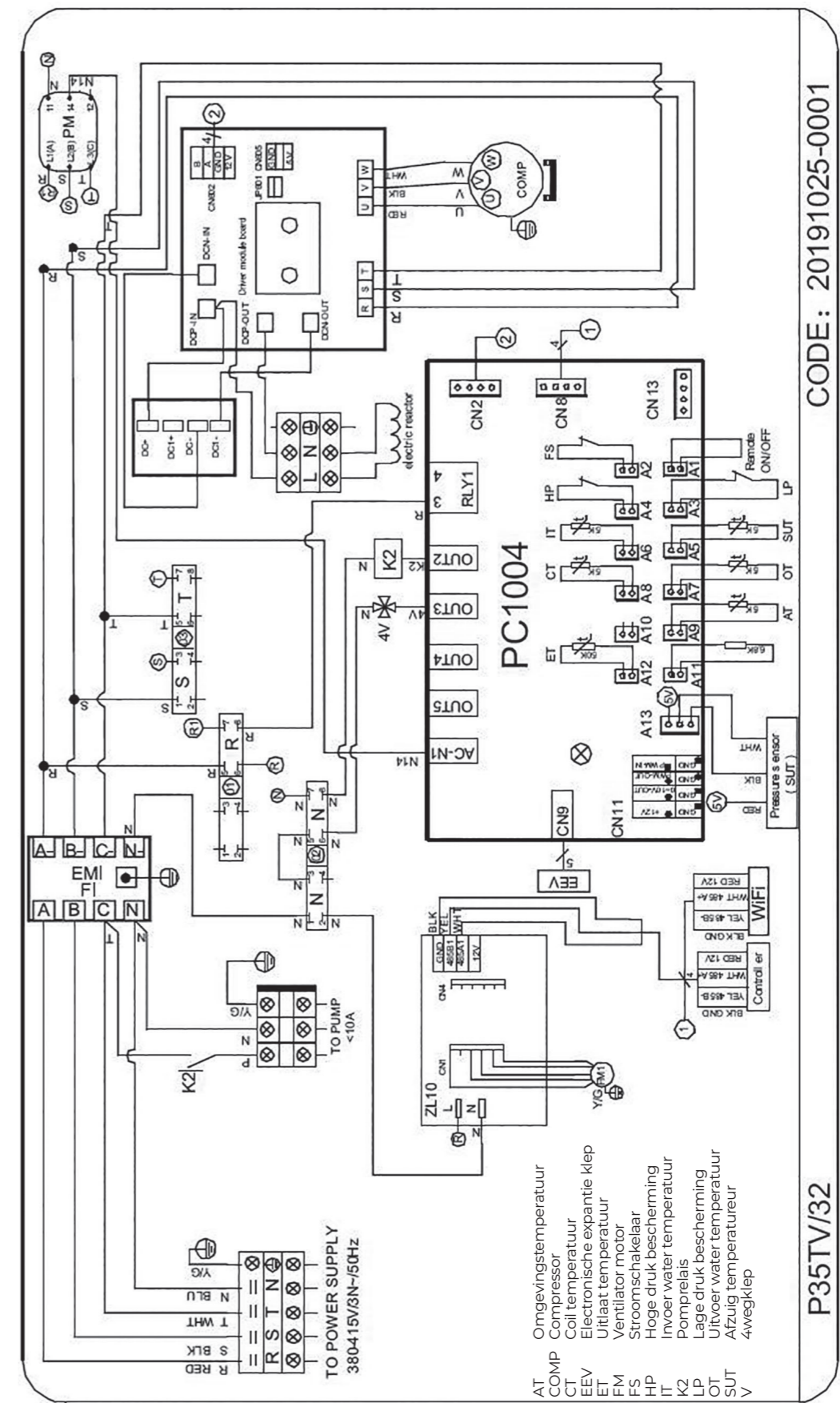
ZWEMBAD WARMTEPOMP TYPE PV



ZWEMBAD WARMTEPOMP TYPE PV



ZWEMBAD WARMTEPOMP TYPE PV



ZWEMBAD WARMTEPOMP TYPE PV

6.2 KABEL SPECIFICATIE

(1) Eenfase-unit

Typeplaatje maximale stroom	Faselij	Aardlijn	MCB	Creepage beschermer	Symbol lijn
Niet meer dan 10A	2×1.5mm ²	1.5mm ²	20A	30mA minder dan 0.1 sec	n×0.5mm ²
10~16A	2×2.5mm ²	2.5mm ²	32A	30mA minder dan 0.1 sec	
16~25A	2×4mm ²	4mm ²	40A	30mA minder dan 0.1 sec	
25~32A	2×6mm ²	6mm ²	40A	30mA minder dan 0.1 sec	
32~40A	2×10mm ²	10mm ²	63A	30mA minder dan 0.1 sec	
40 ~63A	2×16mm ²	16mm ²	80A	30mA minder dan 0.1 sec	
63~75A	2×25mm ²	25mm ²	100A	30mA minder dan 0.1 sec	
75~101A	2×25mm ²	25mm ²	125A	30mA minder dan 0.1 sec	
101~123A	2×35mm ²	35mm ²	160A	30mA minder dan 0.1 sec	
123~148A	2×50mm ²	50mm ²	225A	30mA minder dan 0.1 sec	
148~186A	2×70mm ²	70mm ²	250A	30mA minder dan 0.1 sec	
186~224A	2×95mm ²	95mm ²	280A	30mA minder dan 0.1 sec	

(2) Drie fase-unit

Typeplaatje maximale stroom	Faselij	Aardlijn	MCB	Creepage beschermer	Symbol lijn
Niet meer dan 10A	3×1.5mm ²	1.5mm ²	20A	30mA minder dan 0.1 sec	n×0.5mm ²
10~16A	3×2.5mm ²	2.5mm ²	32A	30mA minder dan 0.1 sec	
16~25A	3×4mm ²	4mm ²	40A	30mA minder dan 0.1 sec	
25~32A	3×6mm ²	6mm ²	40A	30mA minder dan 0.1 sec	
32~40A	3×10mm ²	10mm ²	63A	30mA minder dan 0.1 sec	
40 ~63A	3×16mm ²	16mm ²	80A	30mA minder dan 0.1 sec	
63~75A	3×25mm ²	25mm ²	100A	30mA minder dan 0.1 sec	
75~101A	3×25mm ²	25mm ²	125A	30mA minder dan 0.1 sec	
101~123A	3×35mm ²	35mm ²	160A	30mA minder dan 0.1 sec	
123~148A	3×50mm ²	50mm ²	225A	30mA minder dan 0.1 sec	
148~186A	3×70mm ²	70mm ²	250A	30mA minder dan 0.1 sec	
186~224A	3×95mm ²	95mm ²	280A	30mA minder dan 0.1 sec	

Wanneer het apparaat buiten wordt geïnstalleerd, gebruik dan de kabel die tegen UV kan werken.

6.3 VERGELIJKINGSTABEL VAN DE VERZADIGINGSTEMPERATUUR VAN HET KOELMIDDEL

Druk (MPa)	0	0.3	0.5	0.8	1	1.3	1.5	1.8	2	2.3
Temperatuur (R410A)(°C)	-51.3	-20	-9	4	11	19	24	31	35	39
Temperatuur (R32)(°C)	-52.5	-20	-9	3.5	10	18	23	29.5	33.3	38.7
Druk (MPa)	2.5	2.8	3	3.3	3.5	3.8	4	4.5	5	5.5
Temperatuur (R410A)(°C)	43	47	51	55	57	61	64	70	74	80
Temperatuur (R32)(°C)	42	46.5	49.5	53.5	56	60	62	67.5	72.5	77.4



NOTITIES

EINHALT

1. VORWORT	74
2. SPEZIFIKATION	76
2.1 Leistungsdaten der Schwimmbad-Wärmepumpeneinheit	76
2.2 Die Ausmaße der Schwimmbad-Wärmepumpeneinheit	80
3. INSTALLATION UND ANSCHLUSS	81
3.1 Installationsdarstellung	81
3.2 Standort der Schwimmbad-Wärmepumpe	82
3.3 Wie nah an Ihrem Pool?	82
3.4 Schwimmbad-Wärmepumpenrohrleitungen	82
3.5 Elektrische Verkabelung der Schwimmbadwärmepumpen	83
3.6 Erstinbetriebnahme der Einheit	83
4. BETRIEB UND VERWENDUNG	84
4.1 Einführung der Schnittstelle für die Farbbildschirm-Kabelsteuerung	84
4.2 Einführung der Funktion der Kabelsteuerung für Farbbildschirme	84
4.3 Parameterliste und Aufschlüsselungstabelle	88
4.4 Schnittstellenzeichnung	90
5. MAINTENANCE AND INSPECTION	94
6. ANHANG	97
6.1 Kreislaufdiagramm	97
6.2 Kabelspezifikation	104
6.3 Vergleichstabelle der Kältemittelsättigungstemperatur	104

Fehler und technische Änderungen können nur mit unserer schriftlichen Genehmigung geändert, reproduziert oder elektronisch vervielfältigt werden.

© NORSUP

Auflage: 11.2020

TEILE-NR. ART			
7026965	P13V/32	7026970	P24TV/32
7026966	P17V/32	7026971	P31V/32
7026967	P21V/32	7026972	P31TV/32
7026968	P21TV/32	7026973	P35V/32
7026969	P24V/32	7026974	P35TV/32

SWIMMBAD-WÄRMEPUMPEN ART PV

1. VORWORT

Um unseren Kunden Qualität, Zuverlässigkeit und Vielseitigkeit zu bieten, wurde dieses Produkt nach strengsten Produktionsstandards hergestellt. Diese Anleitung enthält alle erforderlichen Informationen zur Installation, Fehlersuche, Entladung und Wartung. Bitte lesen Sie diese Anleitung sorgfältig durch, bevor Sie das Gerät öffnen oder warten. Der Hersteller dieses Produkts übernimmt keine Haftung, wenn jemand verletzt wird oder das Gerät aufgrund einer unsachgemäßen Installation, Fehlersuche oder unnötigen Wartung beschädigt wird. Es ist äußerst wichtig, dass die Anweisungen in dieser Anleitung jederzeit befolgt werden. Die Installation des Gerätes muss von qualifizierten Mitarbeitern durchgeführt werden.

Das Gerät darf nur von einem qualifizierten Installateur, Mitarbeiter oder einem autorisierten Händler repariert werden.

Wartung und Betrieb müssen entsprechend der empfohlenen Zeit und Häufigkeit, wie in dieser Anleitung angegeben, durchgeführt werden.

Verwenden Sie ausschließlich Originalersatzteile. Bei Nichteinhaltung dieser Empfehlungen erlischt die Garantie.

Die Schwimmbad-Wärmepumpeneinheit erwärmt das Beckenwasser und hält die Temperatur konstant. Für Splittyp-Einheit. Das Innengerät kann diskret versteckt oder halb versteckt werden, und passt so in ein luxuriöses Haus. Unsere Wärmepumpe hat folgende Eigenschaften:

1 Beständigkeit

Der Wärmeaustauscher besteht aus einem PVC- und Titanrohr, das einer längeren Belastung durch Schwimmbadwasser standhalten kann.

2 Installationsflexibilität

Das Gerät kann im Freien oder im Innenbereich installiert werden.

3 Geräuscharmer Betrieb

Die Einheit besteht aus einem effizienten Rotations-/ Scrollverdichter und einem geräuscharmen Lüftermotor, der einen leisen Betrieb garantiert.

4 Erweiterte Steuerung

Die Einheit umfasst eine Mikrocomputersteuerung, mit der alle Betriebsparameter eingestellt werden können. Der Betriebsstatus kann auf der LCD-Kabelsteuerung angezeigt werden. Die Fernbedienung kann als zukünftige Option gewählt werden.

WARNUNG

Es wird empfohlen, dass Ihre Schwimmbadfilterpumpe und Ihre Wärmepumpe unabhängig voneinander verkabelt sind. Die Verkabelung Ihrer Schwimmbadpumpe mit der Wärmepumpe führt dazu, dass Ihre Filtration abgeschaltet wird, sobald das Schwimmbadwasser die Temperatur erreicht hat. Verkabeln Sie die Schwimmbadpumpe nur dann über die Wärmepumpe, wenn Sie eine Schwimmbadpumpe zum Beheizen haben, die unabhängig von Ihrem Schwimmbadfiltersystem ist. Verwenden Sie keine anderen als die vom Hersteller empfohlenen Mittel, um den Auftauprozess zu beschleunigen oder um es zu reinigen. Die Einheit sollte in einem Raum untergebracht werden, in dem keine ständig betriebenen Zündquellen vorhanden sind (z. B. offene Flammen, ein in Betrieb befindliches Gasgerät oder eine in Betrieb befindliche elektrische Heizung). Nicht durchbohren oder verbrennen. Beachten Sie, dass Kältemittel keinen Geruch enthalten dürfen. Das Gerät sollte in einem Raum mit Grundfläche von mehr als X m² installiert, betrieben und gelagert werden.

HINWEIS

Der Hersteller kann andere geeignete Beispiele nennen oder zusätzliche Informationen in Bezug auf den Geruch des Kältemittels angeben.

• Dieses Gerät kann von Kindern ab 8 Jahren und von Personen mit eingeschränkten körperlichen, sensorischen oder geistigen Fähigkeiten oder mangelnden Erfahrungen und Kenntnissen benutzt werden, wenn sie beaufsichtigt werden oder eine Einweisung für den sicheren Umgang mit dem Gerät erhalten haben und sie die damit verbundenen Gefahren verstehen. Kinder dürfen mit dem Gerät nicht spielen. Die Reinigung und Wartung durch den Benutzer darf nicht von Kindern ohne Aufsicht durchgeführt werden.

• Wenn das Netzkabel beschädigt ist, muss es vom Hersteller, seinem Servicepartner oder ähnlich qualifizierten Personen ausgetauscht werden, um eine Gefährdung zu vermeiden.

• Das Gerät muss entsprechend den nationalen Verkabelungsvorschriften installiert werden.

• Betreiben Sie Ihre Klimaanlage nicht in einem Nassraum wie z. B. einem Badezimmer oder einer Waschküche.

SWIMMBAD-WÄRMEPUMPEN ART PV

• Vor dem Zugriff auf die Terminals müssen alle Versorgungsstromkreise getrennt sein.

• Ein allpoliges Trenngerät, das in allen Polen mindestens 3 mm Spielraum aufweist und über einen Ableitstrom von mehr als 10 mA verfügen kann, wobei das Ableitgerät (RCD) einen Nennfehlerbetriebsstrom von nicht mehr als 30 mA aufweist und die Trennung in die feste Verkabelung gemäß den Verdrahtungsregeln integriert werden muss.

• Verwenden Sie nur die vom Hersteller empfohlenen Mittel, um den Auftauprozess zu beschleunigen oder zu reinigen.

• Das Gerät sollte in einem Raum untergebracht werden, in dem keine ständig betriebenen Zündquellen vorhanden sind (z. B. offene Flammen, ein in Betrieb befindliches Gasgerät oder eine in Betrieb befindliche elektrische Heizung).

• Nicht bohren oder verbrennen.

• Das Gerät sollte in einem Raum mit einer Grundfläche von mehr als X m² installiert, betrieben und gelagert werden. Beachten Sie, dass Kältemittel keinen Geruch enthalten dürfen. Die Installation von Rohrleitungen sollte auf Flächen von mindestens X m² beschränkt werden, in denen Kältemittelrohre den nationalen Gasvorschriften entsprechen müssen. Die Wartung sollte nur gemäß den Empfehlungen des Herstellers durchgeführt werden. Das Gerät sollte in einem gut belüfteten Bereich gelagert werden, in dem die Raumgröße der für den Betrieb vorgesehenen Raumfläche entspricht. Alle Arbeitsvorgänge, die sich auf die Sicherheitsmittel auswirken, dürfen nur von sachkundigen Personen durchgeführt werden.

• Transport von Geräten, die brennbare Kältemittel enthalten Einhaltung der Transportbestimmungen Kennzeichnung der Geräte mit Schildern Einhaltung der lokalen Vorschriften Transport von Geräten, die brennbare Kältemittel verwenden Einhaltung der nationalen Vorschriften Lagerung von Vorrichtungen/ Einheiten Die Lagerung der Geräte sollte in Übereinstimmung mit den Anweisungen des Herstellers erfolgen. Lagerung von verpackten (nicht verkauften) Geräten Der Schutz der Lagerverpackung sollte derart sein, dass eine mechanische Beschädigung der Ausrüstung im Inneren der Verpackung keine Freisetzung der Kältemittelfüllung bewirkt. Die maximale Anzahl der Geräte, die zusammen gelagert werden dürfen, richtet sich nach den örtlichen Vorschriften.

VORSICHT & WARNUNG

1. Das Gerät darf nur von ausgebildeten Mitarbeitern des Installationszentrums oder einem autorisierten Händler repariert werden. (für den europäischen Markt)
2. Dieses Gerät ist nicht für die Benutzung durch Personen (einschließlich Kinder) mit eingeschränkter körperlicher oder geistiger Leistungsfähigkeit oder mangelnder Erfahrung und Kenntnis vorgesehen, es sei denn, sie werden von einer für ihre Sicherheit verantwortlichen Person beaufsichtigt oder eingewiesen. (für den europäischen Markt) Kinder sollten beaufsichtigt werden, um sicherzustellen, dass sie nicht mit dem Gerät spielen.
3. Achten Sie darauf, dass das Gerät und der Stromanschluss eine gute Erdung aufweisen, da es ansonsten zu Stromschlägen kommen kann.
4. Bei Beschädigung des Netzkabels muss dies durch den Hersteller, unseren Servicepartner oder eine ähnlich qualifizierte Person ausgetauscht werden, um eine Gefährdung zu vermeiden.
5. Richtlinie 2002/96/EG (WEEE): Das Symbol eines durchgekreuzten Abfallimers, der sich unter dem Gerät befindet, weist darauf hin, dass dieses Produkt am Ende seiner Nutzungsdauer vom Hausmüll getrennt zu entsorgen ist, zu einem Recyclingzentrum für Elektro- und Elektronikgeräte gebracht oder beim Kauf eines gleichwertigen Gerätes an den Händler zurückgegeben werden muss.
6. Richtlinie 2002/95/EG (RoHS): Dieses Produkt entspricht der Richtlinie 2002/95/EG (RoHS) über Beschränkungen bei der Verwendung von Schadstoffen in Elektro- und Elektronikgeräten.
7. Das Gerät darf NICHT in der Nähe von brennbarem Gas installiert werden. Sobald es zu einem Gasaustritt kommt, kann dies zu Bränden führen.
8. Vergewissern Sie sich, dass ein Trennschalter für das Gerät vorhanden ist, da das Fehlen eines Trennschalters zu einem Stromschlag oder Feuer führen kann.
9. Die im Inneren des Gerätes befindliche Wärmepumpe ist mit einem Überlastschutz ausgestattet. Dieser lässt nicht zu, dass das Gerät innerhalb von 3 Minuten nach einem vorherigen Stillstand startet.
10. Das Gerät darf nur von ausgebildeten Mitarbeitern eines Installationszentrums oder einem autorisierten Händler repariert werden. (Für den nordamerikanischen Markt)
11. Die Installation muss entsprechend dem NEC/CEC nur von einer befugten Person vorgenommen werden. (Für den nordamerikanischen Markt)
12. VERWENDEN SIE VERSORGUNGSLEITUNGEN, DIE FÜR 75°C GEEIGNET SIND.
13. Vorsicht: Einwandige Wärmetauscher sind nicht für den Trinkwasseranschluss geeignet.

SWIMMBAD-WÄRMEPUMPEN ART PV

2. SPEZIFIKATION

2.1 LEISTUNGSDATEN DER SCHWIMMBAD-WÄRMEPUMPENEINHEIT

*** KÄLTEMITTEL: R32

EINHEIT		P13V/32	P17V/32	P21V/32
Teilnr.		7026965	7026966	7026967
Heizkapazität (A27/W26)	kW	3.7-13.5	3.4-17.0	6.2-21.3
	Btu/h	12580-45900	11560-57800	21080-72420
COP		13.4-3.7	13.0-6.6	15.6-7.3
Heizkapazität (A15/W26)	kW	2.7-10.0	2.7-12.7	6.5-16.3
	Btu/h	9180-34000	9180-43180	22100-55420
COP		6.2-5.0	6.8-5.0	7.0-5.4
Heizleistungseingang	kW	0.23-2.9	0.31-3.54	0.43-4.55
Stromversorgung		220-240V /50Hz	220-240V /50Hz	220-240V /50Hz
Kompressormenge		1	1	1
Kompressor		rotierend	rotierend	rotierend
Lüfternummer		1	1	1
Geräusche	dB(A)	44-54	46-56	48-56
Wasseranschluss	mm	50	50	50
Wasserflussvolumen	m ³ /h	4.2	5.5	7
Wasserdruckabfall (max)	kPa	5	9	16
Nettoausmaße des Geräts (L/B/H)	mm	Siehe die Zeichnung der Einheiten		
Versandausmaße des Geräts (L/B/H)	mm	siehe Verpackungsetikett		
Nettogewicht	kg	siehe Typenschild		
Versandgewicht	kg	siehe Verpackungsetikett		

Heizung: Außenlufttemp.:

Außenlufttemp.: 27 °C/24,3 °C, Eingangswassertemp.: 26 °C

Außenlufttemp.: 15 °C/12 °C, Eingangswassertemp.: 26 °C

Betriebsbereich:

Umgebungstemperatur: -15 43 °C

Wassertemperatur: 9-40 °C

SWIMMBAD-WÄRMEPUMPEN ART PV

*** REFRIGERANT: R32

EINHEIT		P21TV/32	P24V/32	P24TV/32
Teilnr.		7026968	7026969	7026970
Heizkapazität (A27/W26)	kW	6.3-21.1	5.6-24.9	5.5-24.3
	Btu/h	21420-71740	19040-84600	18700-82620
COP		14.8-7.6	15.2-6.4	14.2-6.6
Heizkapazität (A15/W26)	kW	4.5-16.3	4.4-18.7	4.1-18.8
	Btu/h	15300-55420	14960-63580	13940-63920
COP		7.4-5.6	7.1-5.1	7.1-5.1
Heizleistungseingang	kW	0.43-5.2	0.47-5.3	0.47-5.7
Stromversorgung		380V/3N /50Hz	220-240V /50Hz	380V/3N /50Hz
Kompressormenge		1	1	1
Kompressor		rotierend	rotierend	rotierend
Lüfternummer		1	1	1
Geräusche	dB(A)	48-56	50-56	50-56
Wasseranschluss	mm	50	50	50
Wasserflussvolumen	m ³ /h	7.1	9.0	9.0
Wasserdruckabfall (max)	kPa	16	16	16
Nettoausmaße des Geräts (L/B/H)	mm	Siehe die Zeichnung der Einheiten		
Versandausmaße des Geräts (L/B/H)	mm	siehe Verpackungsetikett		
Nettogewicht	kg	siehe Typenschild		
Versandgewicht	kg	siehe Verpackungsetikett		

Heizung: Außenlufttemp.:

Außenlufttemp.: 27 °C/24,3 °C, Eingangswassertemp.: 26 °C

Außenlufttemp.: 15 °C/12 °C, Eingangswassertemp.: 26 °C

Betriebsbereich:

Umgebungstemperatur: -15 43 °C

Wassertemperatur: 9-40 °C

SWIMMBAD-WÄRMEPUMPEN ART PV

*** REFRIGERANT: R32

EINHEIT		P31V/32	P31TV/32	P35TV/32
Teilnr.		7026971	7026972	7026974
Heizkapazität (A27/W26)	kW	8.5-30.6	8.8-31.2	7.8-35.5
	Btu/h	28900-104040	29920-106080	26520-120700
COP		14.3-6.3	15.7-6.1	12.2-5.2
Heizkapazität (A15/W26)	kW	6.4-23.8	6.5-23.6	6.4-27.5
	Btu/h	21760-80920	22100-80240	21080-93500
COP		7.8-5.0	8.2-5.0	6.8-4.1
Heizleistungseingang	kW	0.53-7.0	0.55-7.0	0.66-8.95
Stromversorgung		220-240V/50Hz	380V/3N /50Hz	220-240V /50Hz
Kompressormenge		1	1	1
Kompressor		rotierend	rotierend	rotierend
Lüfternummer		1	1	1
Geräusche	dB(A)	50-57	50-57	53-59
Wasseranschluss	mm	50	50	50
Wasserflussvolumen	m ³ /h	12.5	12.5	14.6
Wasserdruckabfall (max)	kPa	23	23	23
Nettoausmaße des Geräts (L/B/H)	mm	Siehe die Zeichnung der Einheiten		
Versandausmaße des Geräts (L/B/H)	mm	siehe Verpackungsetikett		
Nettogewicht	kg	siehe Typenschild		
Versandgewicht	kg	siehe Verpackungsetikett		

Heizung: Außenlufttemp.:

Außenlufttemp.: 27 °C/24,3 °C, Eingangswassertemp.: 26 °C
 Außenlufttemp.: 15 °C/12 °C, Eingangswassertemp.: 26 °C

Betriebsbereich:

Umgebungstemperatur: -15 43 °C
 Wassertemperatur: 9-40 °C

SWIMMBAD-WÄRMEPUMPEN ART PV

*** REFRIGERANT: R32

EINHEIT		P35V/32
Teilnr.		7026973
Heizkapazität (A27/W26)	kW	7.1-35.0
	Btu/h	24140-119000
COP		11.4-5.1
Heizkapazität (A15/W26)	kW	6.4-27.5
	Btu/h	21760-93500
COP		6.5-4.1
Heizleistungseingang	kW	0.64-8.6
Stromversorgung		220-240V /50Hz
Kompressormenge		1
Kompressor		rotierend
Lüfternummer		1
Geräusche	dB(A)	53-59
Wasseranschluss	mm	50
Wasserflussvolumen	m ³ /h	14.6
Wasserdruckabfall (max)	kPa	23
Nettoausmaße des Geräts (L/B/H)	mm	Siehe die Zeichnung der Einheiten
Versandausmaße des Geräts (L/B/H)	mm	siehe Verpackungsetikett
Nettogewicht	kg	siehe Typenschild
Versandgewicht	kg	siehe Verpackungsetikett

Heizung: Außenlufttemp.:

Außenlufttemp.: 27 °C/24,3 °C, Eingangswassertemp.: 26 °C
 Außenlufttemp.: 15 °C/12 °C, Eingangswassertemp.: 26 °C

Betriebsbereich:

Umgebungstemperatur: -15 43 °C
 Wassertemperatur: 9-40 °C

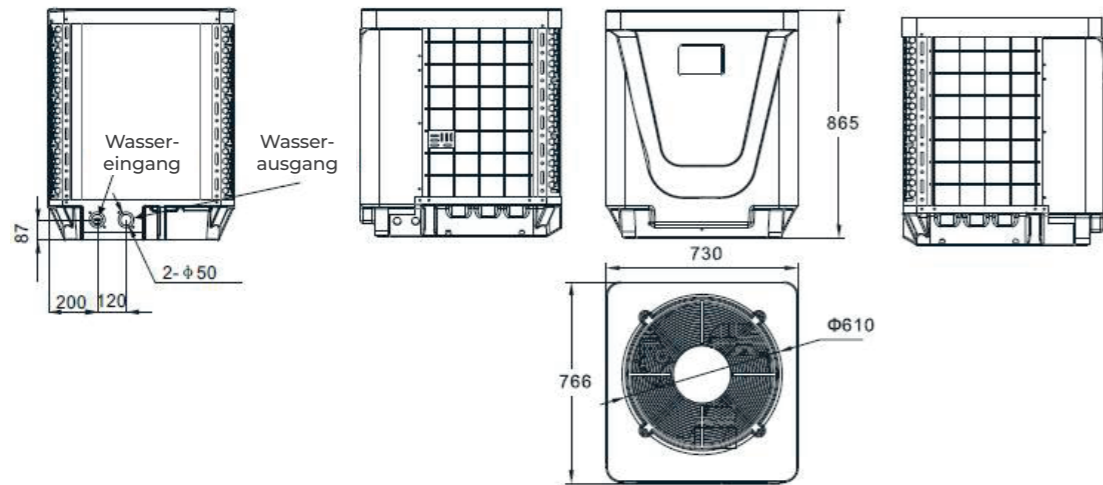
- EN
- NL
- DE**
- FR
- DK
- SE

SWIMMBAD-WÄRMEPUMPEN ART PV

2.2 DIE AUSMASSE DER SCHWIMMBAD-WÄRMEPUMPENEINHEIT

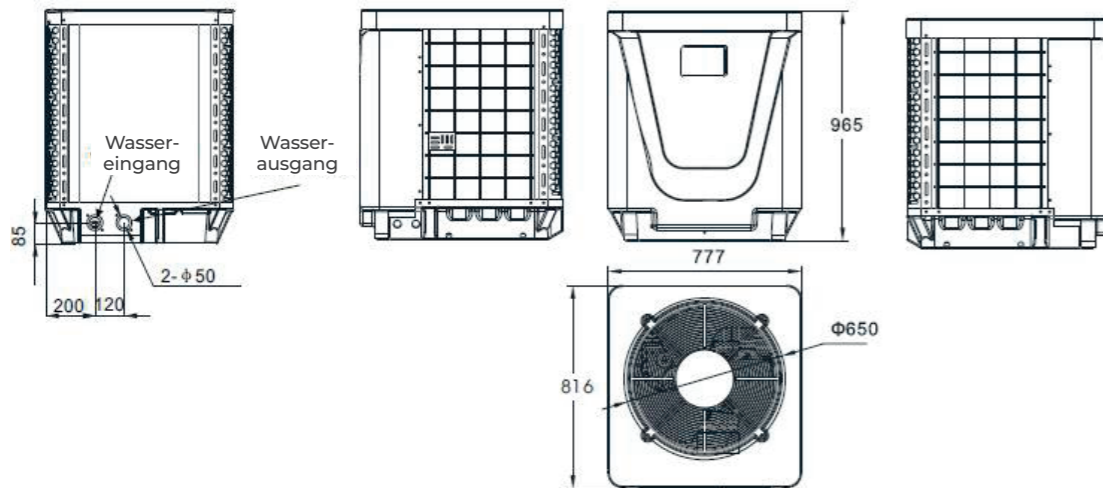
GERÄT: P13V/32 /P17V/32

einheit mm



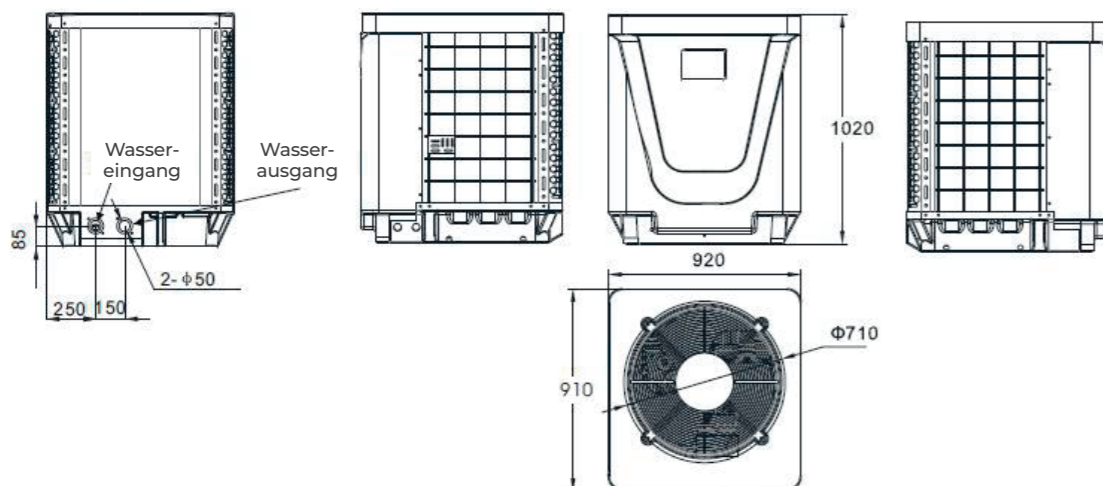
GERÄT: P21V/32 /P21TV/32/P24V/32 /P24TV/32

einheit mm



GERÄT: P31V/32 /P31TV/32/P35V/32/P35TV/32

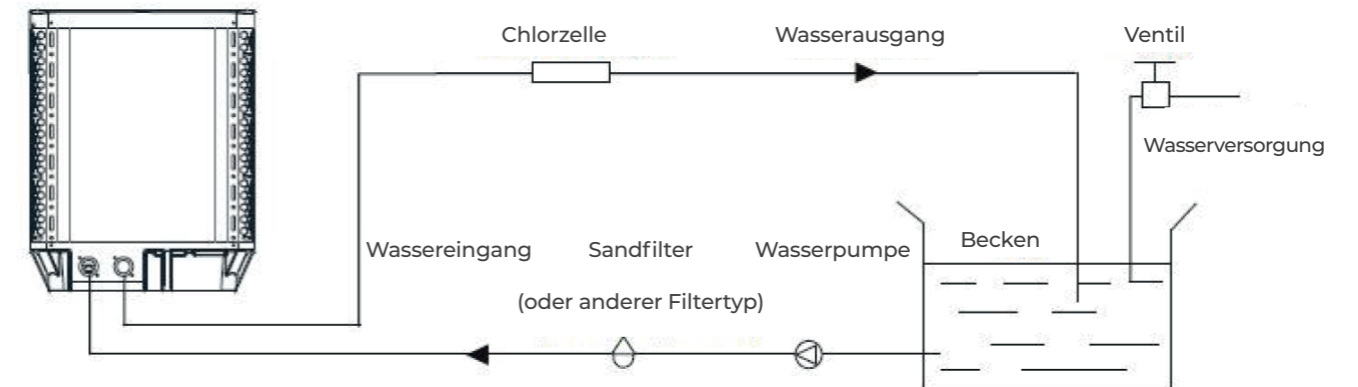
einheit mm



SWIMMBAD-WÄRMEPUMPEN ART PV

3. INSTALLATION UND ANSCHLUSS

3.1 INSTALLATIONS-DARSTELLUNG



Installationsbestandteile

Das Werk liefert nur die Haupteinheit und die Wassereinheit; die anderen Elemente in der Abbildung sind notwendige Ersatzteile für das Wassersystem, die vom Benutzer oder vom Installateur zur Verfügung gestellt werden.

ACHTUNG:



Bitte führen Sie diese Schritte aus, wenn Sie das Gerät zum ersten Mal benutzen.

1. Öffnen Sie das Ventil und füllen Sie das Wasser ein.
2. Stellen Sie sicher, dass die Pumpe und die Wasserzuleitungsrohr mit Wasser gefüllt sind.
3. Schließen Sie das Ventil und starten Sie das Gerät.

Achtung

Es ist notwendig, dass das Wasser-zuleitungsrohr höher als die Beckenoberfläche ist.

Die schematische Darstellung dient nur als Referenz. Bitte überprüfen Sie bei der Sanitärinstallation das Etikett des Wasserein- und -auslasses auf der Wärmepumpe.

Die Steuerung wird an die Wand montiert.

SWIMMBAD-WÄRMEPUMPEN ART PV

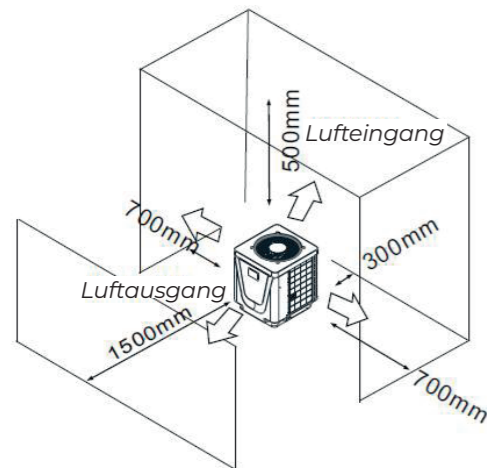
3.2 STANDORT DER SCHWIMMBAD-WÄRMEPUMPE

Die Einheit kann an jedem Außenstandort gut funktionieren, vorausgesetzt, dass die folgenden drei Faktoren berücksichtigt werden:

1. Frischluft - 2. Strom - 3. Beckenfilterrohrleitung

Die Einheit kann nahezu überall im Freien installiert werden. Für Schwimmbäder im Innern wenden Sie sich bitte an den Lieferanten. Im Gegensatz zu einer Gasheizung hat sie in einem windigen Gebiet kein Problem mit Zugluft oder Kontrollleuchten.

Stellen Sie die Einheit NICHT in einen geschlossenen Bereich mit begrenztem Luftvolumen, in dem die Abluft der Einheiten umgewälzt wird. Stellen Sie die Einheit NICHT auf Sträucher, die den Lufteintritt blockieren können. Diese Standorte verhindern, dass die Einheit ständig mit Frischluft versorgt wird, was den Wirkungsgrad reduziert und eine angemessene Wärmeabgabe verhindern kann.



3.3 WIE NAH AN IHREM POOL?

Normalerweise wird die Schwimmbad-Wärmepumpe innerhalb von 7,5 Metern um das Becken herum installiert. Je größer der Abstand zum Becken, desto größer ist der Wärmeverlust in den Rohrleitungen. Die Rohrleitungen sind größtenteils vergraben. Daher ist der Wärmeverlust bei Lauflängen von bis zu 15 Metern (15 Meter bis und von der Pumpe = 30 Meter insgesamt) minimal, es sei denn, der Boden ist nass oder der Grundwasserspiegel ist hoch. Eine sehr vage Schätzung des Wärmeverlustes pro 30 Meter beträgt 0,6 kWh, (2000 BTU) für jeden Temperaturunterschied von 5 °C zwischen dem Beckenwasser und dem Boden, der das Rohr umgibt, was einer Erhöhung der Laufzeit von etwa 3 % bis 5 % entspricht.

3.4 SCHWIMMBAD-WÄRMEPUMPENROHRLEITUNGEN

Die exklusiven Schwimmbadwärmepumpen mit Titan-Wärmeaustauscher mit Nenndurchfluss benötigen keine besonderen Sanitäranlagen außer einem Bypass (bitte stellen Sie den Durchfluss gemäß dem Typenschild ein). Der Wasserdruckabfall beträgt weniger als 10 kPa bei max. Durchfluss, da es keine Restwärme oder Flammentemperaturen gibt. Das Gerät benötigt keine Kupferkühlkörperrohrleitungen. PVC-Rohre können direkt in das Gerät eingebracht werden.

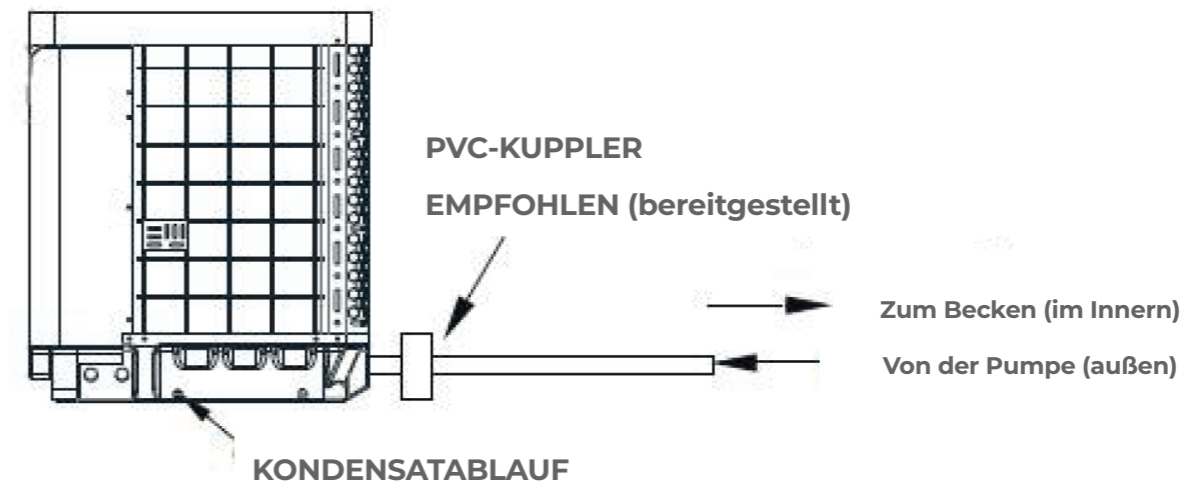
Standort: Schließen Sie das Gerät in der Druck- (Rück-)Leitung der Schwimmbadpumpe hinter allen Filter- und Beckenpumpen sowie vor allen Chlorgas-, Ozon- oder Chemiepumpen an. Das Standardmodell verfügt über Steckklebeverschraubungen, die 32 mm oder 50 mm PVC-Rohre zum Anschluss an die Schwimmbad- oder Spa-Filterleitung aufnehmen. Bei Verwendung einer 50 NB bis 40 NB können Sie 40 NB ausloten.

Ziehen Sie ernsthaft in Betracht, eine Schnellkupplung am Ein- und Ausgang der Einheit anzubringen, um ein einfaches Entleeren der Einheit für die Wintersaison zu ermöglichen und im Falle einer Wartung einen leichteren Zugang zu ermöglichen.

Kondensation: Da die Wärmepumpe die Luft um 4-5 °C abkühlt, kann an den Lamellen des hufeisenförmigen Verdampfers Wasser kondensieren. Bei einer sehr hohen relativen Luftfeuchtigkeit kann dies bis zu mehreren Litern pro Stunde betragen. Das Wasser läuft über die Lamellen in die Bodenwanne und fließt durch die mit Widerhaken versehene Kunststoff-Kondensatablaufarmatur an der Seite der Bodenwanne ab. Diese Armatur ist für die Aufnahme von durchsichtigen 20-mm-Vinylschläuchen ausgelegt, die von Hand aufgedrückt werden können und zu einem geeigneten Ablauf führen. Es ist leicht möglich, das Kondensat mit einem Wasserleck im Inneren des Gerätes zu verwechseln.

BITTE BEACHTEN: Ein schneller Weg, um zu prüfen, ob das Wasser kondensiert ist, besteht darin, das Gerät abzuschalten und die Schwimmbadpumpe in Betrieb zu halten. Wenn das Wasser nicht mehr aus der Bodenwanne läuft, ist es Kondensation. EIN NOCH SCHNELLERER WEG IST ES, DAS ABLAUFWASSER AUF CHLOR ZU TESTEN - wenn kein Chlor vorhanden ist, dann handelt es sich um Kondensation.

SWIMMBAD-WÄRMEPUMPEN ART PV



3.5 ELEKTRISCHE VERKABELUNG DER SCHWIMMBADWÄRMEPUMPEN

HINWEIS

Obwohl der Wärmeaustauscher der Einheit vom Rest der Einheit elektrisch isoliert ist, unterbindet er lediglich den Stromfluss zum oder vom Beckenwasser.

Die Erdung des Gerätes ist weiterhin erforderlich, um Sie vor Kurzschlüssen im Inneren des Gerätes zu schützen. Zudem ist eine Verklebung erforderlich.

Das Gerät verfügt über einen separaten, eingegossenen Anschlusskasten mit einem bereits vorhandenen Standardelektroleitungsstecker. Entfernen Sie dazu lediglich die Schrauben und die Frontplatte, führen Sie Ihre Versorgungsleitungen durch den Leitungsstecker ein und verbinden Sie die elektrischen Versorgungsleitungen mit den drei Anschlüssen, die sich bereits im Anschlusskasten befinden (vier Anschlüsse wenn dreiphasig). Um den Stromanschluss zu vervollständigen, schließen Sie die Wärmepumpe über eine elektrische Leitung, ein UF-Kabel oder ein anderes geeignetes Mittel, wie von den örtlichen Elektrizitätsbehörden vorgeschrieben, an einen speziellen Wechselstromnetz-Zweigstromkreis an, der mit dem entsprechenden Trennschalter, der Trenn- oder Zeitverzögerungssicherung ausgestattet ist. Trennung - Eine Trennvorrichtung (Trennschalter, abgesicherter oder nicht abgesicherter Schalter) sollte sich in Sichtweite der Einheit und leicht zugänglich befinden. Dies ist bei gewerblichen und privaten Klimaanlagen und Wärmepumpen üblich. Es verhindert die Fernaktivierung unbeaufsichtigter Geräte und ermöglicht das Abschalten der Stromversorgung am Gerät während der Wartung.

3.6 ERSTINBETRIEBNAHME DER EINHEIT

HINWEIS

Damit die Einheit das Schwimmbad oder das Spa heizen kann, muss die Filterpumpe in Betrieb sein, um Wasser durch den Wärmetauscher zu zirkulieren.

Startvorgang - Nach der Installation sollten Sie diese Schritte befolgen:

1. Schalten Sie Ihre Filterpumpe ein. Überprüfen Sie auf Wasserlecks und überprüfen Sie den Durchfluss zum und vom Becken.
2. Schalten Sie die elektrische Stromversorgung der Einheit ein und drücken Sie dann die Taste EIN/AUS der Kabelsteuerung. Es sollte in einigen Sekunden beginnen.
3. Vergewissern Sie sich nach einigen Minuten, dass die Luft, die die Oberseite der Einheit verlässt, kühler ist (zwischen 5-10 °C).
4. Falls sich die Filterpumpe während des Betriebs der Einheit abschaltet, sollte sich die Einheit auch automatisch ausschalten.
5. Lassen Sie das Gerät und die Schwimmbadpumpe 24 Stunden am Tag laufen, bis die gewünschte Beckenwassertemperatur erreicht ist. Wenn die Wassertemperatur diese Einstellung erreicht, verlangsamt sich das Gerät für eine gewisse Zeit, wenn die Temperatur 45 Minuten lang gehalten wird, schaltet sich das Gerät aus. Das Gerät startet nun automatisch neu (solange Ihre Schwimmbadpumpe läuft), wenn die Beckentemperatur mehr als 0,2 °C unter die eingestellte Temperatur fällt.

Zeitverzögerung - Das Gerät ist mit einer integrierten 3-minütigen Wiederanlaufverzögerung ausgestattet, die zum Schutz der Komponenten des Steuerkreises und zur Vermeidung von Wiederanlaufzyklen und Schutzkontakten dient. Diese Zeitverzögerung bewirkt einen automatischen Neustart des Gerätes ca. 3 Minuten nach jeder Unterbrechung des Steuerkreises. Schon eine kurze Stromunterbrechung aktiviert die 3-minütige Wiederanlaufverzögerung des Halbleiterrelais und verhindert, dass das Gerät startet, bis der 5-minütige Countdown abgeschlossen ist.

SWIMMBAD-WÄRMEPUMPEN ART PV

4. BETRIEB UND VERWENDUNG

4.1 EINFÜHRUNG DER SCHNITTSTELLE FÜR DIE FARBBILDSCHIRM-KABELSTEUERUNG

(1) Hauptschnittstelle



(2) Tastenbeschreibung

NO.	NAME	DIE TASTENFUNKTION
1	EIN/AUS	Drücken, um die Einheit ein-/auszuschalten
2	Parameter	Klicken Sie auf diese Taste, um den Zustand der Einheit und den Parameter anzuzeigen
3	UHR	Drücken, um die Uhr, Timer Ein oder Timer Aus einzustellen Beim Start des Timers ist die Taste grün
4	Fehleranzeige	Klicken Sie hier, um die Fehlerhistorie anzuzeigen
5	Stumm-schaltung	Hier klicken, um die Stummfunktion ein- und auszuschalten und die Timing-Funktion für niedrige Geschwindigkeiten einzustellen.
6	MODUS	Hier klicken, um die Moduseinstellung und die Zieltemperatur einzugeben Einstellungsschnittstelle
7	Temp.-Kurve	Hier klicken, um die Temperatur- und Leistungskurve anzuzeigen
8	Wasserein-lasstemp	Hier klicken, um die Moduseinstellung und die Zieltemperatur einzugeben Einstellungsschnittstelle
9	VERRIEGE-LUNG	Klicken, um den Bildschirm zu verriegeln. „22“ eingeben, um den Bildschirm durch Drücken der „Verriegelungstaste „ zu entsperren

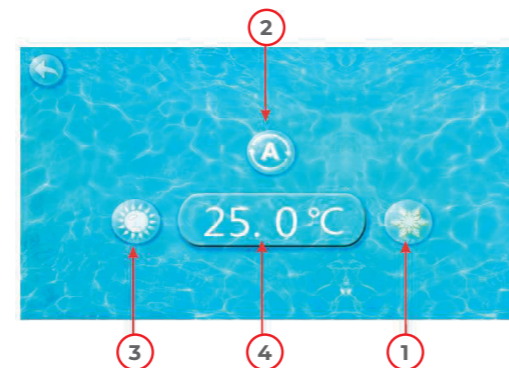
4.2 EINFÜHRUNG DER FUNKTION DER KABELSTEUERUNG FÜR FARBBILDSCHIRME

(1) Booten und Herunterfahren Wie in Abbildung 1.1 dargestellt: Im Shutdown-Status auf **1** klicken, dann wird das Gerät gestartet Im Boot-Status auf **1** klicken, dann wird das Gerät heruntergefahren.

(2) Modusschalter und Solltemperatur-Einstellung

(2.1) Modusschalter

In der Hauptschnittstelle die Klick-Modus-Taste oder Taste zur Einstellung der Wassertemperatur am Eingang klicken, es wird folgendes angezeigt:



Auf die Kältemodus-Taste **1**, die Automatikmodus-Taste oder die Heizmodus-Taste **2** klicken, dann können Sie den entsprechenden Modus auswählen. Hinweis: Wenn das Gerät für den automatischen Einzelmodus oder den thermischen Einzelmodus ausgelegt ist, kann der Modus nicht umgeschaltet werden.

(2.2) Solltemperatur-Einstellung

Auf die Taste Temperatur einstellen **4** klicken, um die Solltemperatur einzustellen.

SWIMMBAD-WÄRMEPUMPEN ART PV

(3) Uhr-Einstellung

In der Hauptschnittstelle auf die Taste Uhr Einstellungen klicken, es wird folgendes angezeigt:



(3.1) Der Betrieb der Zeiteinstellung

Auf die Taste Zeiteinstellungen **1** klicken, die Benutzeroberfläche wird wie folgt angezeigt:



Auf den Wert klicken, um die Zeit direkt einzustellen, auf die Taste Bestätigen klicken, um die Einstellungen zu speichern. Zum Beispiel: Einstellzeit: der 30-11-2016 16:00:00, Eingabe 30 11 16 16 00 00, die Zeit ändert sich und dann auf die Taste Bestätigen klicken.

HINWEIS

Wenn das Eingabeformat nicht korrekt ist, wird bei Anklicken der Taste Bestätigen die falsche Uhrzeit gespeichert.

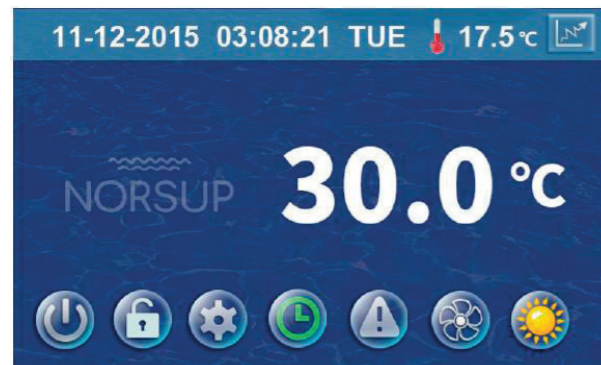
(3.2) Der Betrieb der Zeiteinstellung

Klicken Sie auf die Taste Timing einstellen, **2** um in die Timing-Schnittstelle einzutreten.



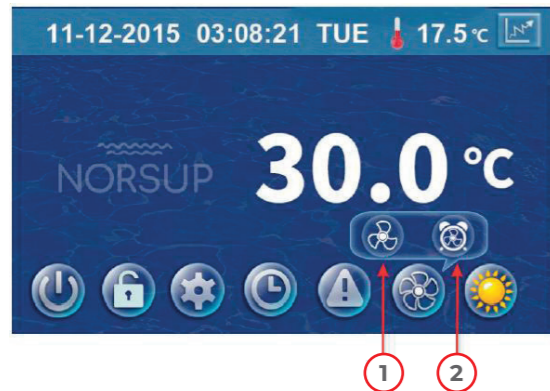
NO.	NAME	TASTEN FABRE	TASTENFUNKTION
1	Timing tabelle	- Start: Grün - Ende: Grau	Diese Taste klicken, um die Timing-Start-Einstellungsfunktion zu starten oder zu beenden
2	Timing Ein-Einstellung		Hier klicken, um die Startzeit des Timings einzustellen.
3	Timing Ende-Taste	- Offen: Rot - Ende: Grau	Diese Taste klicken, um die Timing-Ende-Einstellungsfunktion zu starten oder zu beenden
4	Timing Aus-Einstellung		Hier klicken, um die Endzeit des Timings einzustellen.

SWIMMBAD-WÄRMEPUMPEN ART PV

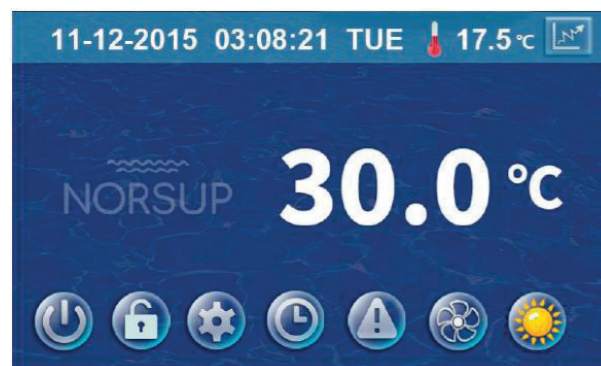


Wenn der Timer startete, ist die Uhrentaste in der Hauptschnittstelle grün.

(4) Stummschaltung und stumme Timing-Einstellung
Auf die Taste für die Stummschaltung klicken, es wird folgendes angezeigt:



(4.1) Die Stumm
Auf die Stumm-Taste 1 klicken, das Gerät wechselt in den Stumm-Modus, es wird folgendes angezeigt:



Erneut auf die Stumm-Taste 1 klicken, um den Stumm-Modus zu verlassen.

(4.2) Timing-Stummfunktion-Einstellung
Timing-Stumm-Taste 2 klicken, es wird folgendes angezeigt:



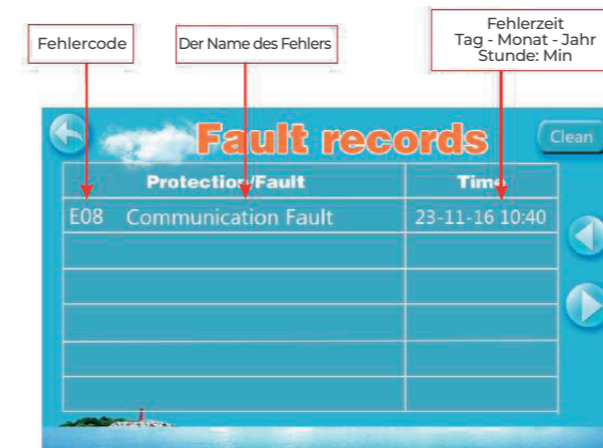
NO.	NAME	FABRE	FUNKTION
1	Timing Stumm Aus	Benutzt: rot benutzt: grau	Klicken, um die Timing Aus-Funktion zu benutzen oder nicht zu benutzen
2	6 Timing Stumm Ein	Benutzt: grün benutzt: grau	Klicken, um die Timing Ein-Funktion zu benutzen oder nicht zu benutzen
3	Timing Stumm Startzeit		Diese Taste klicken, um die Timing Stumm Startzeit einzustellen
4	Timing Stumm Endzeit		Diese Taste klicken, um die Timing Stumm Endzeit einzustellen

Der Wert für die Anfangs- und Endzeiteinstellung muss im Bereich von 0:00 - 23:00 liegen, und der Einstellwert kann bis auf die Stundenzahl genau sein. Z. B. oben auf „EIN“ klicken, um Timing stumm zu benutzen.

die Einheit beginnt die Stummschaltung bei 0:00 Punkten und endet bei 4:00; Auf „AUS“ klicken, um Timing stumm nicht zu benutzen, aber wenn sich die Einheit im Stummmodus befindet, wird das Timing stumm sofort beendet.

SWIMMBAD-WÄRMEPUMPEN ART PV

(5) Fehlerverzeichnis
In der Hauptschnittstelle auf die Taste Fehleranzeige klicken, es wird folgendes angezeigt:

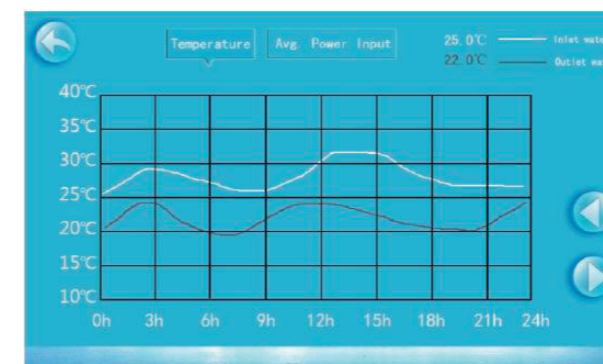


Wenn kein Fehler vorhanden ist, zeigt die Oberfläche stets " " Wenn ein Fehler eintritt, blinkt das Fehlersymbol zwischen "▲" "▲", die Fehlerschnittstelle wird die Zeit, den Code und Namen des Fehlers aufzeichnen. Wenn Sie nach der Fehlerbehebung den Fehlereintrag nicht markieren, zeigt die Hauptoberfläche stets "▲" an; wenn Sie den Fehlereintrag markieren, zeigt die Hauptoberfläche stets "▲" an;

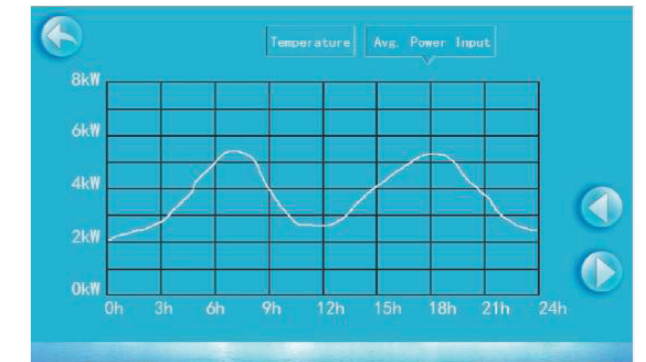
Die Fehleraufzeichnung erfolgt in umgekehrter Reihenfolge, entsprechend der Ereigniszeit. Drücken Sie die Taste „Entfernen“, Sie können die Fehleraufzeichnung löschen.

(6) Temperaturkurve
Klicken Sie auf der Hauptoberfläche auf die Kurve anzeigen-Taste, die Oberfläche zeigt folgendes an:

(6.1) Temperaturaufzeichnungskurve sieht folgendermaßen aus:



(6.2) Die durchschnittliche Leistungskurve



Die Temperaturkurve wird jede Stunde automatisch kann für 60 Tage gespeichert werden;

Beginnen Sie mit der zuletzt gespeicherten Kurvenzeit, wenn der Strom ausgeschaltet ist und die Datenerfassungszeit

SWIMMBAD-WÄRMEPUMPEN ART PV

4.3 PARAMETERLISTE UND AUFSCHLÜSSELUNGSTABELLE

(1) Fehlertabelle der elektronischen Steuerung

Kann anhand des Fehlercodes der Fernbedienung und der Fehlersuche beurteilt werden

Schutz/Fehler	Fehleranzeige	Grund	Eliminationsmethoden
Standby	Non		
Normal boot	Non		
Einlasstemp. Sensorfehler	P01	Der Temp. Sensor ist kaputt oder kurzgeschlossen	Prüfen oder tauschen Sie den Temp. Sensor aus
Auslasstemp. Sensorfehler	P02	Der Temp. Sensor ist kaputt oder kurzgeschlossen	Prüfen oder tauschen Sie den Temp. Sensor aus
Umgebungstemp. Sensorfehler	P04	Der Temp. Sensor ist kaputt oder kurzgeschlossen	Prüfen oder tauschen Sie den Temp. Sensor aus
Spulentemp. Sensorfehler	P05	Der Temp. Sensor ist kaputt oder kurzgeschlossen	Prüfen oder tauschen Sie den Temp. Sensor aus
Saugtemp. Sensorfehler	P07	Der Temp. Sensor ist kaputt oder kurzgeschlossen	Prüfen oder tauschen Sie den Temp. Sensor aus
Entladetemp. Sensor aus Fehler	P081	Der Temp. Sensor ist kaputt oder kurzgeschlossen	Prüfen oder tauschen Sie den Temp. Sensor aus
Hochdruckschutz	E01	Der Hochdruckschalter ist kaputt	Prüfen Sie den Druckschalter und den Kaltkreislauf
Niederdruckschutz	E02	Niederdruck1 Schutz	Prüfen Sie den Druckschalter und den Kaltkreislauf
Flussschalterschutz	E03	Kein Wasser/wenig Wasser im Wassersystem	Prüfen Sie den Rohrwasserfluss und den Wasserfluss
Frostschutz	E07	Wasserfluss ist nicht ausreichend	Prüfen Sie den Rohrwasserfluss und wenn das Wassersystem verstopft ist oder nicht
Primärer Frostschutz	E19	Die Umgebungstemp. ist gering	
Sekundärer Frostschutz	E29	Die Umgebungstemp. ist gering	
Einlass- und Auslasstemp. zu hoch	E06	Wasserfluss ist nicht ausreichend und geringer Differenzialdruck	Prüfen Sie den Rohrwasserfluss und wenn das Wassersystem verstopft ist oder nicht
Niedertemperaturschutz	Non	Die Umgebungstemp. ist gering	
Komp. Überstromschutz	E051	Der Kompressor ist überlastet	Prüfen Sie, ob das System des Kompressors normal läuft
Ablassluft über Temp.-Schutz	P082	Der Kompressor ist überlastet	Prüfen Sie, ob das System des Kompressors normal läuft
Kommunikationsfehler	E08	Kommunikationsfehler zwischen Kabelsteuerung und Hauptboard	Prüfen Sie die Kabelverbindung zwischen der Fernkabelsteuerung und dem Hauptboard
Frostschutz-Temp. Sensorfehler	P09	Frostschutz-Temp. Sensor ist kaputt oder kurzgeschlossen	Prüfen und wechseln Sie diesen Temp.-Sensor aus
Wasserverlauf Frostschutz	E05	Wassertemp. Oder Umgebungstemp. ist zu niedrig	
EC-Fan-Feedback-Fehler	F051	Mit dem Lüftermotor stimmt etwas nicht und der Lüftermotor hört auf zu laufen	Prüfen Sie, ob der Lüftermotor kaputt oder verriegelt ist oder nicht
Drucksensorfehler	PP	Der Drucksensor ist kaputt	Prüfen oder wechseln Sie den Drucksensor aus oder Druck
Lüftermotor1 Fehler	F031	1. Motor ist in einem Verriegelter Rotor-Status 2. Die Kabelverbindung zwischen DC-Lüftermodul und Lüftermotor ist in einem schlechten Kontakt	1. Setzen Sie einen neuen Lüftermotor ein 2. Prüfen Sie die Kabelverbindung und stellen Sie sicher, dass ein guter Kontakt vorliegt
Lüftermotor2 Fehler	F032	1. Motor ist in einem Verriegelter Rotor-Status 2. Die Kabelverbindung zwischen DC-Lüftermodul und Lüftermotor ist in einem schlechten Kontakt	1. Setzen Sie einen neuen Lüftermotor ein 2. Prüfen Sie die Kabelverbindung und stellen Sie sicher, dass ein guter Kontakt vorliegt
Kommunikationsfehler (Geschwindigkeit)	E081	Geschwindigkeitssteuermodul und Hauptboard-Kommunikationsfehler	Prüfen Sie die Kommunikationsverbindung

SWIMMBAD-WÄRMEPUMPEN ART PV

FEHLERTABELLE DES FREQUENZUMWANDLUNGSBOARDS

Schutz/Fehler	Fehleranzeige	Grund	Eliminationsmethoden
Antr.1 MOP-Alarm	F01	MOP-Antriebsalarm	Wiederherstellung nach 150 s
Inverter offline	F02	Frequenzumwandlungsboard und Hauptboard-Kommunikationsfehler	Prüfen Sie die Kommunikationsverbindung
IPM-Schutz	F03	IPM-Modulschutz	Wiederherstellung nach 150 s
Komp. Antriebsfehler	F04	Fehlende Phase, Stufe oder Laufwerksbeschädigung	Überprüfen Sie die Messspannung Überprüfen Sie die Hardware des Frequenzumwandlerboards
DC-Lüfter-Fehler	F05	Unterbrechung oder Kurzschluss des Motorstromfeedbacks	Prüfen, ob Stromrückleitungskabel mit dem Motor verbundene sind
IPM-Überstrom	F06	IPM Eingangsstrom ist hoch	Strommessung überprüfen und anpassen
Umw. DC-Überspannung	F07	DC Bus-Spannung > DC Bus Überspannung Schutzwert	Eingangsspannungsmessung prüfen
Umw. DC-Niederspannung	F08	DC Bus-Spannung < DC Bus Niederspannung Schutzwert	Eingangsspannungsmessung prüfen
Umw. Eingang Niederspannung	F09	Die Eingangsspannung ist gering, dadurch ist die Eingangsleistung hoch	Eingangsspannungsmessung prüfen
Umw. Eingang Überspannung	F10	Die Eingangsspannung ist zu hoch, mehr als Ausfallschutzstrom RMS	Eingangsspannungsmessung prüfen
Umw. Abtastspannung	F11	Eingangsspannung Abtastfehler	Strommessung überprüfen und anpassen
Komm. Fehler DSP-PFC	F12	DSP und PFC-Anschlussfehler	Prüfen Sie die Kommunikationsverbindung
Eingang Überstrom	F26	Die Ladung der Ausrüstung ist zu groß	
PFC-Fehler	F27	Der PFC-Kreisschutz	Überprüfen Sie den Kurzschluss der PFC-Schaltröhre oder nicht.
IPM-Überhitzung	F15	Überhitzung des IPM-Moduls	Strommessung überprüfen und anpassen
Magnet schwach Warn.	F16	Magnetkraft des Kompressors ist ungenügend	
Umw. Eingang Aus Phase	F17	Die Eingangsspannung mit Phasenausfall	Überprüfen und messen Sie die Spannungseinstellung.
IPM Abtaststrom	F18	Die Abtastelektrizität ist fehlerhaft.	Strommessung überprüfen und anpassen
Umw. Temp. Sonde fehlerh.	F19	Sensor ist kurzgeschlossen oder offener Kreislauf	Inspizieren und wechseln Sie den Sensor aus
Inverter-Überhitzung	F20	Der Umw. ist überhitzt.	Strommessung überprüfen und anpassen
Umw. Überhitzung Warnung	F22	Umwälzer-Temperatur ist zu hoch	Strommessung überprüfen und anpassen
Komp. Überstrom Warn.	F23	Kompressorstrom ist groß	Der Kompressor-Überstromschutz
Eingang Überstrom Warn.	F24	Eingangsstrom ist zu groß	Strommessung überprüfen und anpassen
EEPROM Fehler-Warn.	F25	MCU-Fehler	Testen Sie, ob der Chip beschädigt ist. Wechseln Sie den Chip aus
V15V Über-/Unterspannungsfehler	F28	Das V15V weist eine Über- oder Unterspannung auf	Überprüfen Sie, ob die V15V Eingangsspannung im Bereich 13.5v~16.5v liegt oder nicht

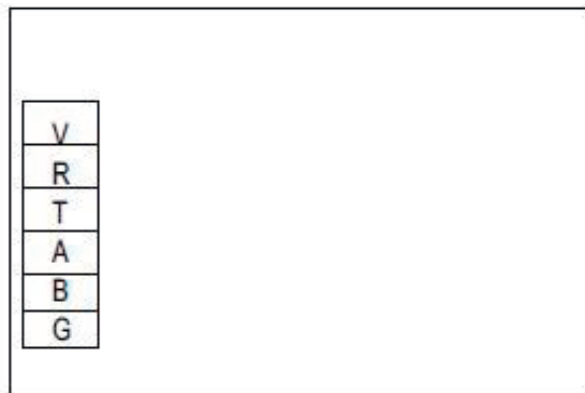
(2) Parameterliste

Bedeutung	Standard	Anmerkungen
Solltemperatur für die Kälteerzeugung	28°C	Anpassbar
Aufheizen der Solltemperatur	28°C	Anpassbar
Automatische Solltemperatur	27°C	Anpassbar

SWIMMBAD-WÄRMEPUMPEN ART PV

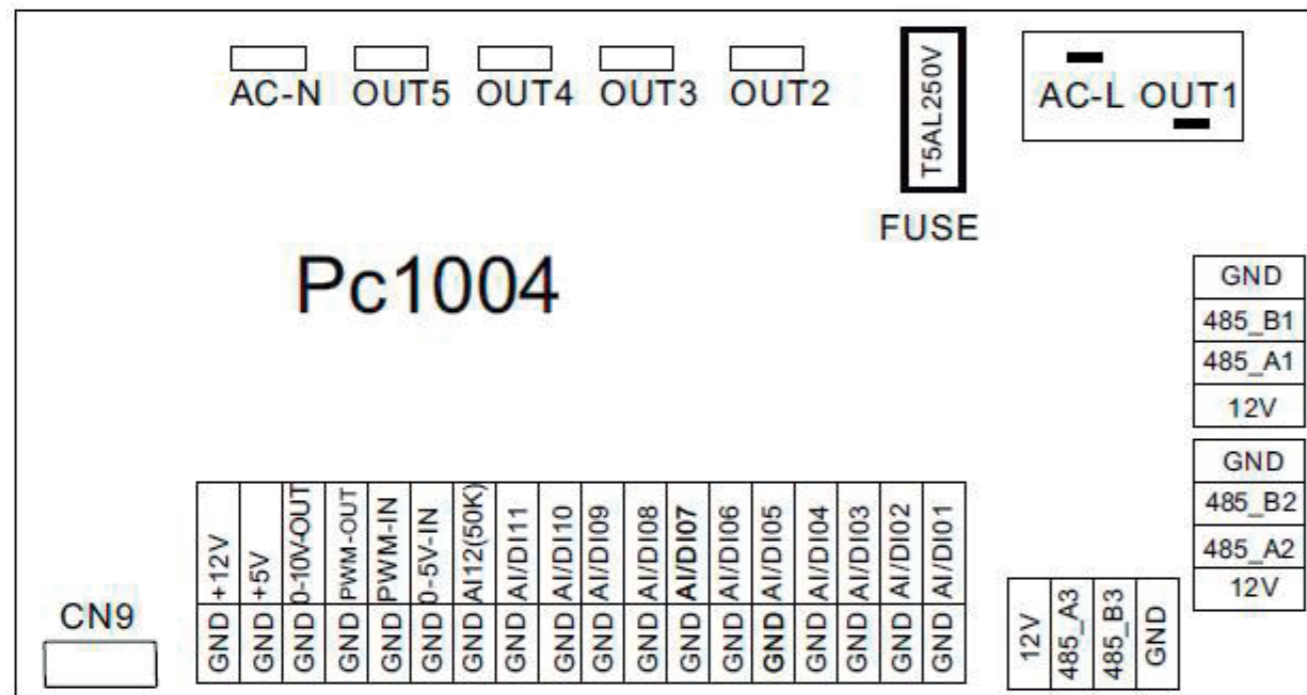
4.4 SCHNITTSTELLENZEICHNUNG

(1) Verkabelungsschnittstellendiagramm und Definition



Zeichen	Bedeutung
V	12V (strom +)
R	Keine Verwendung
T	Keine Verwendung
A	485A
B	485B
G	GND (strom-)

(2) Verkabelungsschnittstellendiagramm und Definition



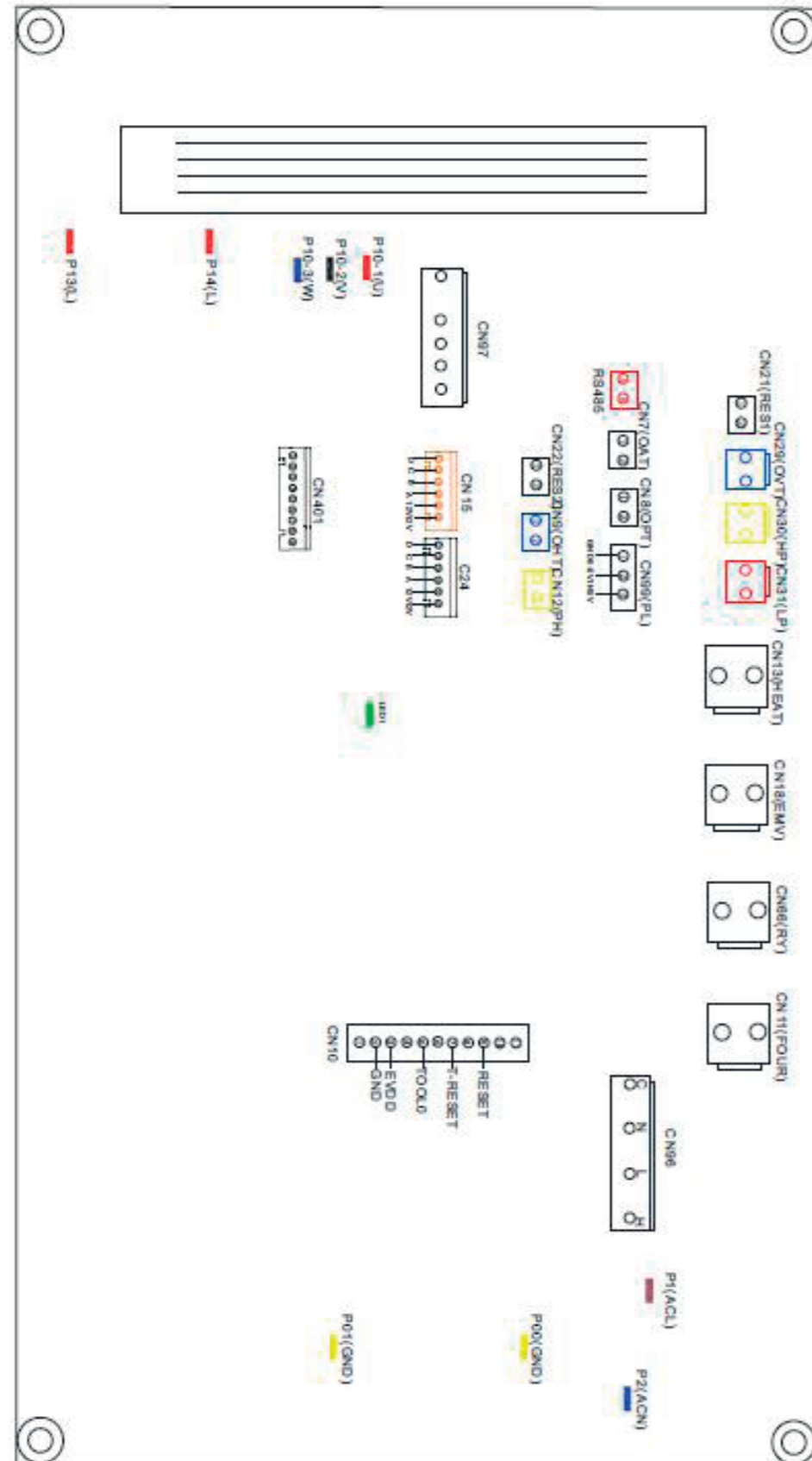
SWIMMBAD-WÄRMEPUMPEN ART PV

Main board of the input and output interface instructions below

Nummer	Zeichen	Bedeutung
01	OUT1	Kompressor (Ausgang 220-230 V AC)
02	OUT2	Wasserpumpe (Ausgang 220-230 V AC)
03	OUT3	4-Weg-Ventil (Ausgang 220-230 V AC)
04	OUT4	Hohe Geschwindigkeit des Lüfters (Ausgang 220-230 V AC)
05	OUT5	Niedrige Geschwindigkeit des Lüfters (Ausgang 220-230 V AC)
06	AC-L	Stromführendes Kabel (Eingang 220-230 V AC)
07	AC-N	Neutrales Kabel (Eingang 220-230 V AC)
08	AI/DI01	Notschalter Eingang
09	AI/DI02	Wasserflussschalter Eingang
10	AI/DI03	System Niederdruck Eingang
11	AI/DI04	System Hochdruck Eingang
12	AI/DI05	System Saugtemperatur Eingang
13	AI/DI06	Wasser Eingangstemperatur Eingang
14	AI/DI07	Wasser Ausgangstemperatur (Eingang)
15	AI/DI08	System Lüfterspulentemperatur Eingang
16	AI/DI09	Umgebungstemperatur Eingang
17	AI/DI10	Modusschalter Eingang
18	AI/DI11	Haupt-/Slave-Schalter / Eingang Frostschutztemperatur
19	AI12(50K)	System Ablufttemperatur Eingang
20	0_5V_IN	Kompressor Stromfeststellung/Drucksensor (Eingang)
21	PWM_IN	Haupt-/Slave-Schalter / Feedbacksignal von EEC Lüfter (Eingang)
22	PWM_OUT	AC Lüftersteuerung (Ausgang)
23	0_10V_OUT	EC Lüftersteuerung (Ausgang)
24	+5V	+5V (Ausgang)
25	+12V	+12V (Ausgang)
26	GND	
27	485_B1	Frequenzumwandlungsboard-Kommunikationen
28	485_A1	
29	12V	
30	GND	
31	485_B2	Farbliniensteuerung-Kommunikation
32	485_A2	
33	12V	
34	CN9	Elektronisches Expansionsventil
35	GND	
36	485_B3	Der Port für das zentrale Steuersystem
37	485_A3	
38	12V	

SWIMMBAD-WÄRMEPUMPEN ART PV

Steuerungsschnittstellendiagramm und Definition



SWIMMBAD-WÄRMEPUMPEN ART PV

Main board of the input and output interface instructions below

Nummer	Zeichen	Bedeutung
01	P10-(U)	Kompressor (Ausgang 220-230 V AC)
02	P10-(V)	
03	P10-(W)	
04	CN18(EMV)	Wasserpumpe (Ausgang 22 0 -2 3 0 V AC)
05	CN13(HEAT)	4- Weg -Ventil (Ausgang 22 0 -2 3 0 V AC)
06	CN96(H)	Hoh Geschwindigkeit des Lüfters (Ausgang 22 0 -2 3 0 V AC)
07	CN96(L)	Niedrige Geschwindigkeit des Lüfters (Ausgang 22 0 -2 3 0 V AC)
08	P1(AC-L)	Stromführende Kabel (Eingang 22 0 -2 3 0 V AC)
09	P2(AC-N)	Neutrales Kabel (Eingang 22 0 -2 3 0 V AC)
10	CN99(PL)	Drucksensor
11	CN29(OVT)	Wasserflussschalter (Eingang)
12	CN30(HP)	Hochdruckschalter (Eingang)
13	CN31(LP)	Niederdruckschalter (Eingang)
14	CN7(OAT)	System Saugtemperatur (Eingang)
15	CN21(RES1)	Wasser Eingangstemperatur (Eingang)
16	CN22(RES2)	Wasser Ausgangstemperatur (Eingang)
17	CN8(OPT)	System Lüfterspulen temperatur ((Eingang)
18	CN12(PH)	Umgebungstemperatur (Eingang)
19	CN9(OHT)	System Ablufttemperatur (Eingang)
20	PO0(GND)	Erdungskabel
21	P01(GND)	Erdungskabel
22	P13(L) P14(L)	Elektroreaktor
23	R485(B) R485(A)	Farbliniensteuerung -Kommunikation
24	CN15	Elektronisches Expansionsventil

SWIMMBAD-WÄRMEPUMPEN ART PV

5. MAINTENANCE AND INSPECTION

Überprüfen Sie die Wasserversorgungsvorrichtung und die Freigabe häufig. Sie sollten den Zustand vermeiden, dass kein Wasser oder Luft in das System gelangt, da dies die Leistung und Zuverlässigkeit der Einheit beeinträchtigt. Sie sollten den Schwimmbad/Spa-Filter regelmäßig reinigen, um Schäden am Gerät durch Verunreinigungen oder verstopfte Filter zu vermeiden.

Der Bereich um die Einheit herum sollte trocken, sauber und gut belüftet sein. Reinigen Sie den seitlichen Wärmetauscher regelmäßig, um einen guten Wärmeaustausch zu gewährleisten und Energie zu sparen.

Der Betriebsdruck des Kältemittelsystems sollte nur von einem zertifizierten Techniker gewartet werden.

Überprüfen Sie regelmäßig die Stromversorgung und den Kabelanschluss. Sollte die Einheit dennoch einmal nicht ordnungsgemäß funktionieren, schalten Sie sie aus und wenden Sie sich an den qualifizierten Techniker.

Lassen Sie das gesamte Wasser in der Wasserpumpe und im Wassersystem ab, damit das Wasser in der Pumpe oder im Wassersystem nicht gefriert. Sie sollten das Wasser am Boden der Wasserpumpe ablassen, falls das Gerät über einen längeren Zeitraum nicht benutzt wird. Sie sollten das Gerät gründlich überprüfen und das System vor der ersten Inbetriebnahme vollständig mit Wasser füllen

Überprüfungen im Bereich

Vor Beginn der Arbeiten an Systemen, die brennbare Kühlmittel enthalten, sind Sicherheitsüberprüfungen erforderlich, um sicherzustellen, dass die Gefahr einer Entzündung auf ein Minimum reduziert wird. Bei der Reparatur des Kühlsystems sind die folgenden Vorsichtsmaßnahmen zu beachten, bevor Arbeiten an dem System durchgeführt werden.

Arbeitsablauf

Alle Arbeiten müssen nach einem kontrollierten Verfahren durchgeführt werden, um das Risiko auf ein Minimum zu beschränken, dass während der Ausführung der Arbeiten ein entzündbares Gas oder ein entzündbarer Dampf vorhanden ist.

Allgemeiner Arbeitsbereich

Das gesamte Wartungspersonal und andere im Nahbereich tätige Personen müssen über die Art der ausgeführten Arbeiten unterrichtet werden. Das Arbeiten in engen Räumen muss vermieden werden. Der Bereich um den Arbeitsbereich herum muss abgegrenzt werden. Stellen Sie sicher, dass die Bedingungen innerhalb des Bereichs sicher gestellt sind, indem Sie brennbare Stoffe kontrollieren.

Überprüfung des Vorhandenseins eines Kältemittels

Der Bereich muss vor und während der Arbeit mit einem geeigneten Kältemitteldetektor überprüft werden, um sicherzustellen, dass der Techniker sich der explosionsgefährdeten Atmosphäre bewusst ist. Stellen Sie sicher, dass die verwendeten Dichtheitsprüfgeräte für den Einsatz mit brennbaren Kältemitteln geeignet sind, d. h. keine Funken bilden, ausreichend abgedichtet oder eigensicher sind.

Vorhandensein eines Feuerlöschers

Wenn an der Kälteanlage oder den zugehörigen Teilen Heißenarbeiten durchgeführt werden sollen, müssen geeignete

Feuerlöschvorrichtungen bereitstehen. Lassen Sie einen Trockenpulver oder CO₂-Feuerlöscher in der Nähe des Ladebereichs stehen.

Keine Zündquellen

Keine Person, die Arbeiten in Bezug auf eine Kälteanlage ausführt, bei der Rohrleitungen, die brennbares Kältemittel enthalten oder enthalten haben, freigesetzt werden, darf Zündquellen derart nutzen, dass sie zu einer Brand- oder Explosionsgefahr führen können. Alle möglichen Zündquellen, einschließlich des Rauchens von Zigaretten, sollten ausreichend weit von der Installations-, Reparatur-, Entfernungs- und Entsorgungsstelle entfernt sein, wobei entzündbares Kältemittel möglicherweise in den umgebenden Raum abgegeben werden kann. Vor Beginn der Arbeiten muss der Bereich um das Gerät herum untersucht werden, um sicherzustellen, dass keine Brandgefahren oder Entzündungsrisiken bestehen. Es müssen „Nichtraucher“-Schilder angebracht werden.

Belüfteter Bereich

Stellen Sie sicher, dass sich der Bereich im Freien befindet oder ausreichend belüftet ist, bevor Sie in das System eindringen oder heiße Heißenarbeiten durchführen. Während der Zeit, in der die Arbeiten ausgeführt werden, muss ein gewisses Maß an Belüftung gewährleistet sein. Die Lüftung sollte das freigesetzte Kältemittel sicher verteilen und vorzugsweise nach außen in die Atmosphäre abgeben.

Kontrollen an der Kälteanlage

Wenn elektrische Komponenten geändert werden, müssen sie für den Zweck und die korrekte Spezifikation geeignet sein. Zu jeder Zeit müssen die Wartungs- und Instandhaltungsrichtlinien des Herstellers eingehalten werden. Im Zweifelsfall wenden Sie sich an die technische Abteilung des Herstellers. Die folgenden Kontrollen sind auf Installationen anzuwenden, die brennbare Kältemittel verwenden: Die Ladegröße richtet sich nach der Raumgröße, in der die Teile des Kältemittels installiert sind; Die Lüftungsanlagen und -ausgänge arbeiten einwandfrei und werden nicht behindert; Wird ein indirekter Kältekreis verwendet, ist der Sekundärkreislauf auf das Vorhandensein des Kältemittels zu überprüfen; Die Beschriftung des Gerätes ist weiterhin sichtbar und lesbar. Unleserliche Beschriftungen und Zeichen müssen korrigiert werden; Die Kältemittelleitung oder -komponenten werden an einer Stelle installiert, an der es unwahrscheinlich ist, dass sie einer Substanz ausgesetzt werden, die Komponenten angreifen könnte, sofern die Komponenten nicht aus Materialien bestehen, die von Natur aus gegen Korrosion beständig sind oder die angemessen gegen eine solche Korrosion geschützt sind.

Überprüfungen an elektrischen Geräten

Die Reparatur und Wartung von elektrischen Komponenten muss die ersten Sicherheitsüberprüfungen und Komponenteninspektionsverfahren einbeziehen. Wenn ein Fehler vorliegt, der die Sicherheit beeinträchtigen könnte, darf keine Stromquelle an den Stromkreis angeschlossen werden, bis dieser ausreichend behoben ist. Wenn der Fehler nicht sofort behoben werden kann, aber der Betrieb fortgesetzt werden muss, muss eine geeignete Übergangslösung angewandt werden. Dies muss dem Eigentümer der Anlage mitgeteilt werden, damit alle Parteien informiert sind.

SWIMMBAD-WÄRMEPUMPEN ART PV

Die ersten Sicherheitskontrollen müssen Folgendes umfassen:

- Dass Kondensatoren entladen werden: dies muss auf sichere Weise geschehen, um die Möglichkeit einer Funkenbildung zu vermeiden;
- Dass während des Ladevorgangs, der Wiederherstellung oder der Spülung des Systems keine spannungsführenden elektrischen Komponenten und Leitungen freigelegt werden;
- Dass die Kontinuität der Erdung gewährleistet ist.

Reparaturen an abgedichteten Komponenten

- 1) Bei Reparaturen an abgedichteten Komponenten müssen alle elektrischen Anschlüsse von der bearbeiteten Ausrüstung getrennt werden, bevor die abgedichteten Abdeckungen usw. entfernt werden. Wenn es unbedingt erforderlich ist, die Geräte während der Wartung mit Strom zu versorgen, muss an der kritischsten Stelle eine dauerhaft funktionierende Form der Dichtheitsprüfung angebracht werden, um vor einer potenziell gefährlichen Situation zu warnen.
- 2) Es ist insbesondere darauf zu achten, dass durch Arbeiten an elektrischen Komponenten die Verkleidung nicht so verändert wird, dass sich der Schutzgrad ändert. Dazu gehören Beschädigungen an Kabeln, übermäßige Anzahl an Anschlüssen, nicht originalgetreue Terminals, Beschädigungen an Dichtungen, falsche Montage von Verschraubungen usw.

Vergewissern Sie sich, dass das Gerät sicher montiert ist. Vergewissern Sie sich, dass Dichtungen oder Dichtungsmaterialien nicht so abgetragen wurden, dass sie nicht mehr den Zweck erfüllen, das Eindringen von brennbaren Atmosphären zu verhindern. Ersatzteile müssen den Herstellerangaben entsprechen.

HINWEIS

Die Verwendung von Silikondichtungsmasse kann die Wirksamkeit einiger Arten von Dichtheitsprüfgeräten beeinträchtigen. Eigensichere Komponenten müssen zuvor nicht isoliert werden.

Reparatur von eigensicheren Komponenten

Legen Sie keine dauerhaft induktiven oder kapazitiven Lasten an den Stromkreis an, ohne dabei sicherzustellen, dass diese die zulässige Spannung und den zulässigen Strom für die verwendeten Geräte nicht überschreiten. Eigensichere Komponenten sind die einzigen Typen, die unter Anwesenheit einer brennbaren Atmosphäre bearbeitet werden können. Die Testvorrichtung muss die richtige Leistung aufweisen. Ersetzen Sie Komponenten nur durch vom Hersteller spezifizierte Teile. Andere Teile können dazu führen, dass das Kältemittel sich der Atmosphäre aufgrund eines Lecks entzündet.

Verkabelung

Überprüfen Sie, ob die Verkabelung Verschleiß, Korrosion, übermäßigen Druck, Vibrationen, scharfen Kanten oder anderen schädlichen Umwelteinflüssen ausgesetzt ist. Bei der Prüfung müssen auch die Einflüsse der Alterung oder der ständigen Schwingungen von Quellen wie Kompressoren oder Lüftern berücksichtigt werden.

Erkennung von brennbaren Kältemitteln

Bei der Suche nach Kältemittellocks oder der Erkennung von Kältemittellocks dürfen unter keinen Umständen mögliche Zündquellen genutzt werden. Ein Halogenidbrenner (oder ein anderer Detektor mit offener Flamme) darf nicht verwendet werden.

Dichtheitsprüfverfahren

Die folgenden Dichtheitsprüfverfahren gelten als zulässig für Systeme, die brennbare Kältemittel enthalten. Zur Erkennung brennbarer Kältemittel müssen elektronische Lecksuchgeräte verwendet werden, aber die Empfindlichkeit ist möglicherweise nicht ausreichend oder muss neu kalibriert werden. (Die Messgeräte müssen in einem Bereich kalibriert werden, der frei von Kältemitteln ist). Vergewissern Sie sich, dass der Detektor keine potenzielle Zündquelle ist und für das verwendete Kältemittel geeignet ist. Die Dichtheitsprüfgeräte müssen auf einen Prozentsatz des LFL des Kältemittels eingestellt und auf das verwendete Kältemittel kalibriert sein, und der entsprechende Gasanteil (maximal 25 %) wird bestätigt. Dichtheitsprüfflüssigkeiten sind für die meisten Kältemittel geeignet, aber die Verwendung von chlorhaltigen Reinigungsmitteln sollte vermieden werden, da das Chlor mit dem Kältemittel reagieren und das Kupferrohrnetz anrosten kann. Bei Verdacht auf eine Undichtigkeit müssen alle offenen Flammen entfernt/gelöscht werden. Wird eine Undichtigkeit von Kältemitteln festgestellt, die gelötet werden muss, so ist das gesamte Kältemittel aus dem System zu sammeln oder (mittels Absperrventilen) in einem dem Leck abgewandten Teil des Systems zu isolieren. Sauerstofffreier Stickstoff (OFN) wird dann sowohl vor als auch während des Lötprozesses durch das System gespült.

Entfernung und Entleerung

Beim Eindringen in den Kältemittelkreislauf zur Durchführung von Reparaturen oder für andere Zwecke müssen herkömmliche Verfahren angewandt werden. Es ist jedoch wichtig, dass bewährte Verfahren befolgt werden, da die Entflammbarkeit berücksichtigt wird. Das folgende Verfahren muss eingehalten werden:

- Entfernen Sie das Kältemittel;
- Spülen Sie den Kreislauf mit Schutzgas;
- Entleeren Sie;
- Spülen Sie erneut mit Schutzgas;
- Öffnen Sie den Stromkreis durch Schneiden oder Löten. Die Kältemittelfüllung muss in den richtigen Rückgewinnungszylindern aufgefangen werden.

Das System muss mit OFN „gespült“ werden, um das Gerät sicher zu machen. Dieser Vorgang muss möglicherweise mehrmals wiederholt werden. Dabei dürfen weder Druckluft noch Sauerstoff verwendet werden. Die Spülung soll erreicht werden, indem das Vakuum im System mit OFN unterbrochen und weiter gefüllt wird, bis der Betriebsdruck erreicht ist, dann in die Atmosphäre entlüftet und schließlich auf ein Vakuum heruntergefahren wird. Dieser Vorgang wird so lange wiederholt, bis sich kein Kältemittel mehr im System befindet. Bei Verwendung der endgültigen OFN-Ladung muss das System auf Atmosphärendruck entlüftet werden, damit Arbeiten durchgeführt werden können. Dieser Arbeitsgang ist absolut unerlässlich, wenn Lötarbeiten an den Rohrleitungen durchgeführt werden müssen. Achten Sie darauf, dass sich der Auslass für die Vakuumpumpe nicht in der Nähe von Zündquellen befindet und eine Belüftung vorhanden ist. Kennzeichnung Die Geräte sind mit einem Etikett zu versehen, aus dem hervorgeht, dass sie außer Betrieb genommen und von Kältemittel befreit wurden. Das Etikett muss mit einem Datum versehen und unterzeichnet werden. Vergewissern Sie sich, dass sich auf dem Gerät Etiketten befinden, aus denen hervorgeht, dass das Gerät ein brennbares Kältemittel enthält.

SWIMMBAD-WÄRMEPUMPEN ART PV

Rückgewinnung

Bei der Entfernung des Kältemittels aus einem System, für Wartungs- oder Außerbetriebnahmearbeiten, wird empfohlen, dass alle Kältemittel sicher entfernt werden. Beim Umfüllen von Kältemittel in Zylinder ist darauf zu achten, dass nur geeignete Kältemittelrückgewinnungszylinder verwendet werden. Stellen Sie sicher, dass die richtige Anzahl von Zylindern zur Aufnahme der gesamten Systemfüllung vorhanden ist. Alle zu verwendenden Zylinder sind für das zurückgewonnene Kältemittel bestimmt und für dieses Kältemittel gekennzeichnet (d. h. spezielle Flaschen für die Rückgewinnung von Kältemittel). Die Zylinder müssen mit einem Druckbegrenzungsventil und den zugehörigen Absperrventilen in einem einwandfreiem Zustand sein. Leere Rückgewinnungs-zylinder werden vakuumisiert und, wenn möglich, gekühlt, bevor die Rückgewinnung erfolgt.

Die Rückgewinnungsanlage muss in einwandfreiem Zustand sein und eine Reihe von Anweisungen für die vorliegende Anlage enthalten und für die Rückgewinnung von brennbaren Kältemitteln geeignet sein. Darüber hinaus muss ein Set aus kalibrierten Waagen zur Verfügung stehen, die in einwandfreiem Zustand sind. Die Schläuche müssen komplett mit leckfreien Trennkupplungen und in gutem Zustand sein. Bevor Sie die Rückgewinnungsmaschine in Betrieb setzen, vergewissern Sie sich, dass sie in einwandfreiem Zustand ist, ordnungsgemäß gewartet wurde und dass alle zugehörigen elektrischen Komponenten versiegelt sind, um eine Entzündung im Falle einer Kältemittelabgabe zu verhindern. Wenden Sie sich im Zweifelsfall an den Hersteller. Das zurückgewonnene Kältemittel muss in dem richtigen Rückgewinnungszylinder an den Kältemittellieferanten zurückgegeben und der entsprechende Abfalltransportvermerk muss erstellt werden. Vermischen Sie keine Kältemittel in Rückgewinnungseinheiten und insbesondere nicht in Zylinder. Wenn Kompressoren oder Kompressoröle entfernt werden sollen, stellen Sie sicher, dass sie auf ein akzeptables Niveau entleert wurden, um sicherzugehen, dass kein entzündbares Kältemittel im Schmiermittel verbleibt. Der Entleerungsprozess muss vor der Rückgabe des Kompressors an die Lieferanten durchgeführt werden. Es darf nur eine elektrische Erwärmung des Kompressorkörpers eingesetzt werden, um diesen Prozess zu beschleunigen. Wenn Öl aus einem System abgelassen wird, so ist dies sicher durchzuführen.

Stilllegung

Bevor Sie dieses Verfahren durchführen, ist es unerlässlich, dass der Techniker mit dem Gerät und all seinen Details vertraut ist. Es wird empfohlen, dass alle Kältemittel sicher zurückgeführt werden. Vor der Durchführung der Aufgabe muss eine Öl- und Kältemittelprobe entnommen werden, falls eine Analyse vor der erneuten Verwendung des zurückgeforderten Kältemittels erforderlich ist. Es ist wichtig, dass vor Beginn der Aufgabe elektrische Energie zur Verfügung steht.

- Machen Sie sich mit dem Gerät und seiner Bedienung vertraut.
- Trennen Sie das System vom Stromnetz.
- Stellen Sie vor dem Versuch des Verfahrens sicher, dass:
 - Für die Handhabung von Kältemittelzylindern stehen bei Bedarf mechanische Handhabungsgeräte zur Verfügung;
 - Sämtliche persönlichen Schutzausrüstungen sind

vorhanden und werden korrekt verwendet;

- Der Rückgewinnungsprozess wird jederzeit von einer kompetenten Person überwacht;
 - Rückgewinnungseinrichtungen und Zylinder entsprechen den entsprechenden Normen.
- Pumpen Sie das Kältemittelsystem wenn möglich ab.
 - Wenn ein Vakuum nicht möglich ist, stellen Sie einen Verteiler her, damit das Kältemittel aus verschiedenen Teilen des Systems entfernt werden kann.
 - Stellen Sie sicher, dass sich der Zylinder auf der Waage befindet, bevor die Rückgewinnung erfolgt.
 - Starten Sie das Rückgewinnungsgerät und arbeiten Sie entsprechend den Anweisungen des Herstellers.
 - Überfüllen Sie die Zylinder nicht. (Nicht mehr als 80 % des Volumens der Flüssigkeitsfüllung).
 - Überschreiten Sie nicht den maximalen Betriebsdruck des Zylinders, auch nicht vorübergehend.
 - Wenn die Zylinder ordnungsgemäß befüllt und der Prozess abgeschlossen ist, sorgen Sie dafür, dass die Zylinder und Geräte unverzüglich vom Einsatzort entfernt werden und alle Absperrventile der Anlage geschlossen sind.
 - Rückgewonnenes Kältemittel darf nicht in ein anderes Kühlsystem eingefüllt werden, sofern es nicht gereinigt und überprüft wurde.

Ladefahren

Zusätzlich zu den herkömmlichen Ladefahren müssen die folgenden Anforderungen erfüllt werden.

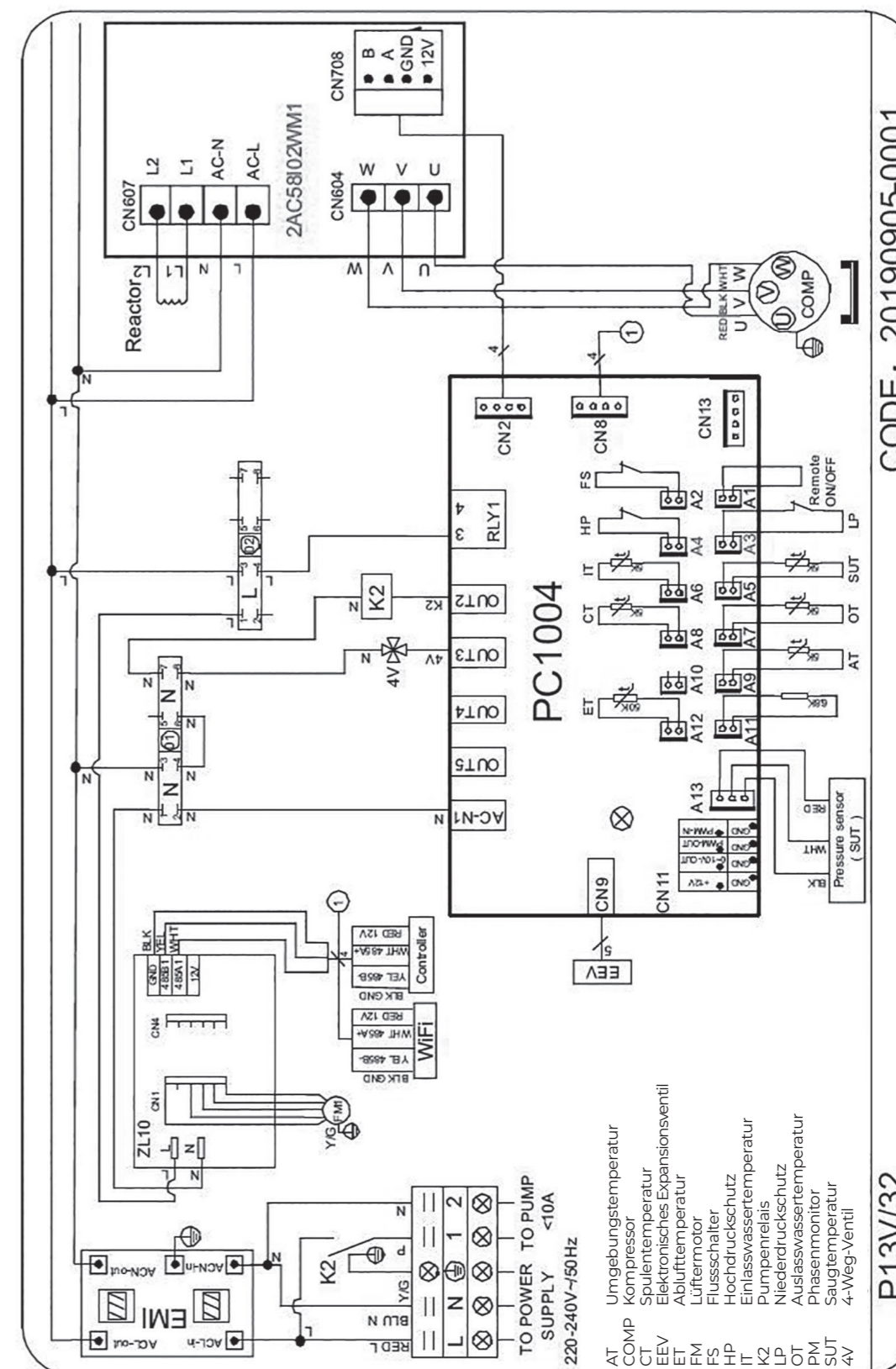
- Stellen Sie sicher, dass bei der Verwendung von Füllgeräten keine Verunreinigungen verschiedener Kältemittel auftreten. Die Schläuche oder Leitungen müssen so kurz wie möglich sein, um die darin enthaltene Kältemittelmenge zu minimieren.
- Die Zylinder müssen aufrecht gehalten werden.
- Stellen Sie sicher, dass das Kühlsystem geerdet ist, bevor Sie das System mit Kältemittel befüllen.
- Beschriften Sie das System, wenn der Ladevorgang abgeschlossen ist (falls nicht bereits erfolgt).
- Dabei ist besonders darauf zu achten, dass das Kühlsystem nicht überfüllt wird. Vor dem Nachfüllen des Systems muss es mit OFN druckgetestet werden. Das System ist nach Abschluss des Ladevorgangs, jedoch vor der Inbetriebnahme auf seine Dichtigkeit zu prüfen. Vor dem Verlassen des Standorts muss eine nachträgliche Dichtheitsprüfung durchgeführt werden.

Das Sicherheitskabelmodell ist 5*20_5A/250 V AC. und muss die Anforderungen an den Explosionsschutz erfüllen.

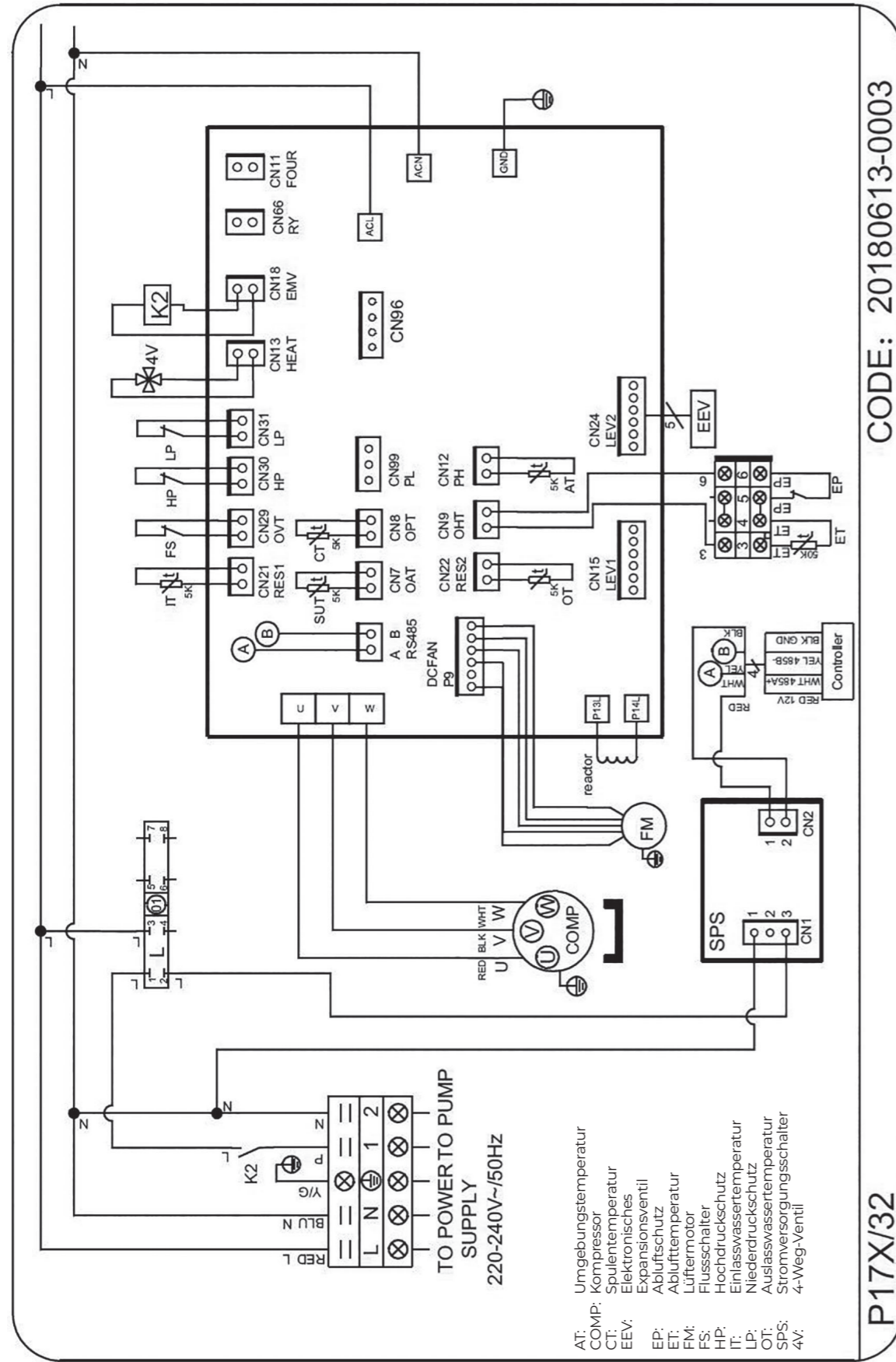
SWIMMBAD-WÄRMEPUMPEN ART PV

6. ANHANG

6.1 KREISLAUFDIAGRAMM

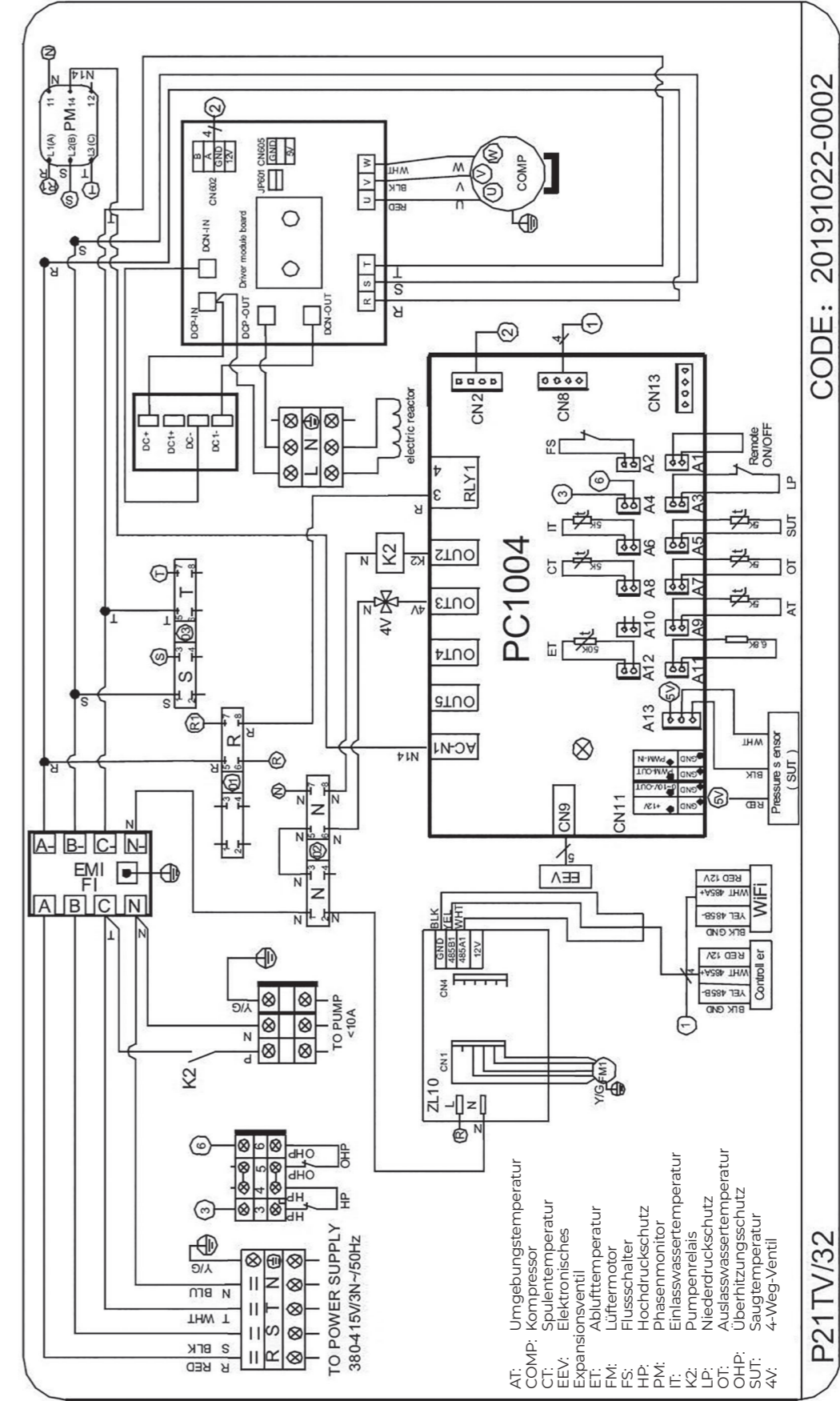


SWIMMBAD-WÄRMEPUMPEN ART PV



- AT: Umgebungstemperatur
- COMP: Kompressor
- CT: Spulentemperatur
- EEV: Elektronisches Expansionsventil
- EP: Abluftschutz
- ET: Ablufttemperatur
- FM: Lüftermotor
- FS: Flusschalter
- HP: Hochdruckschutz
- IT: Einlasswassertemperatur
- LP: Niederdruckschutz
- OT: Auslasswassertemperatur
- SPS: Stromversorgungsschalter
- 4V: 4-Weg-Ventil

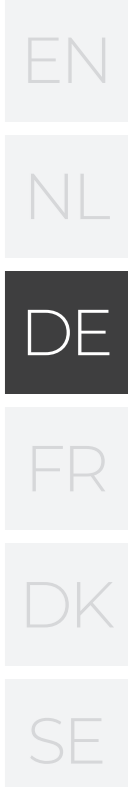
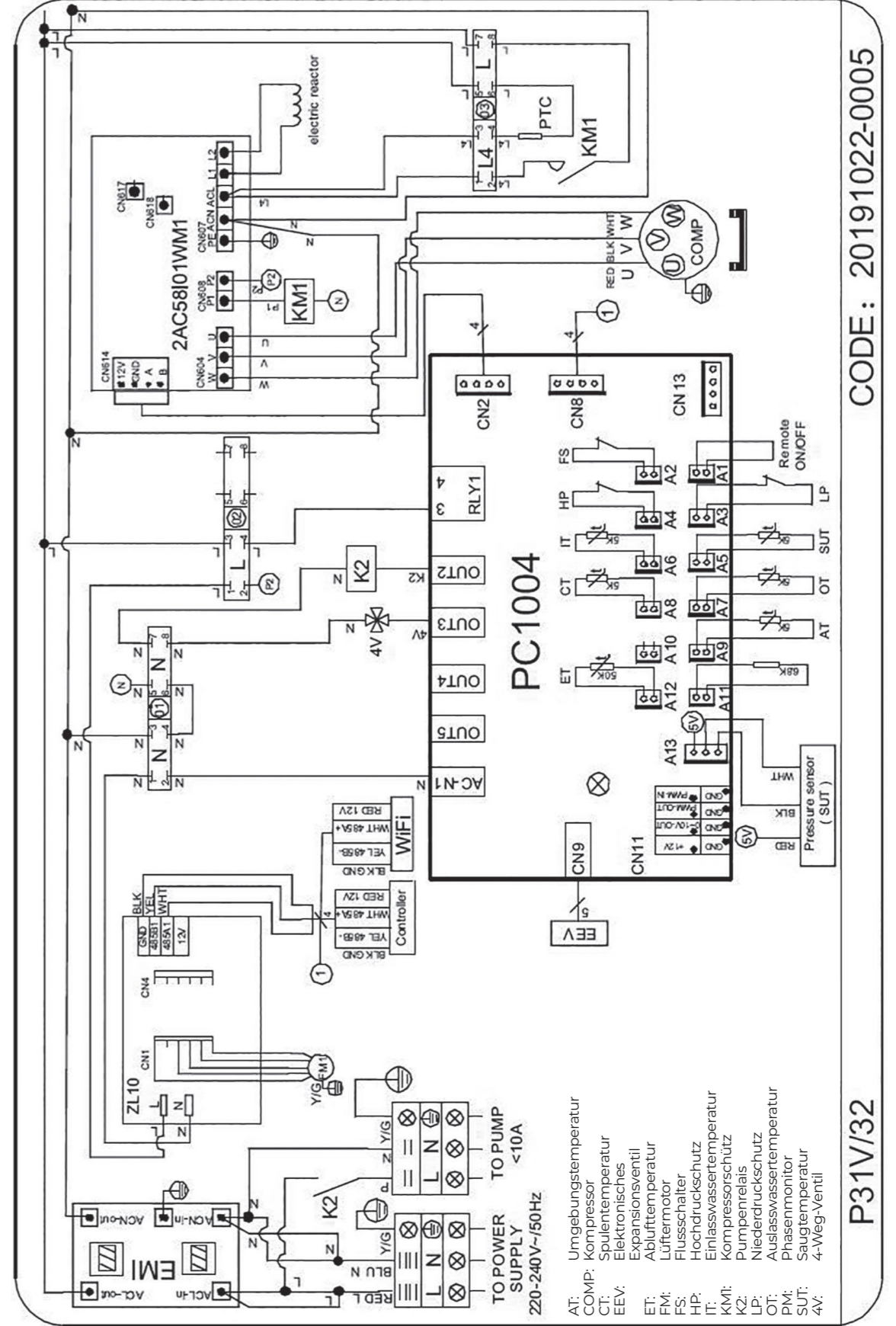
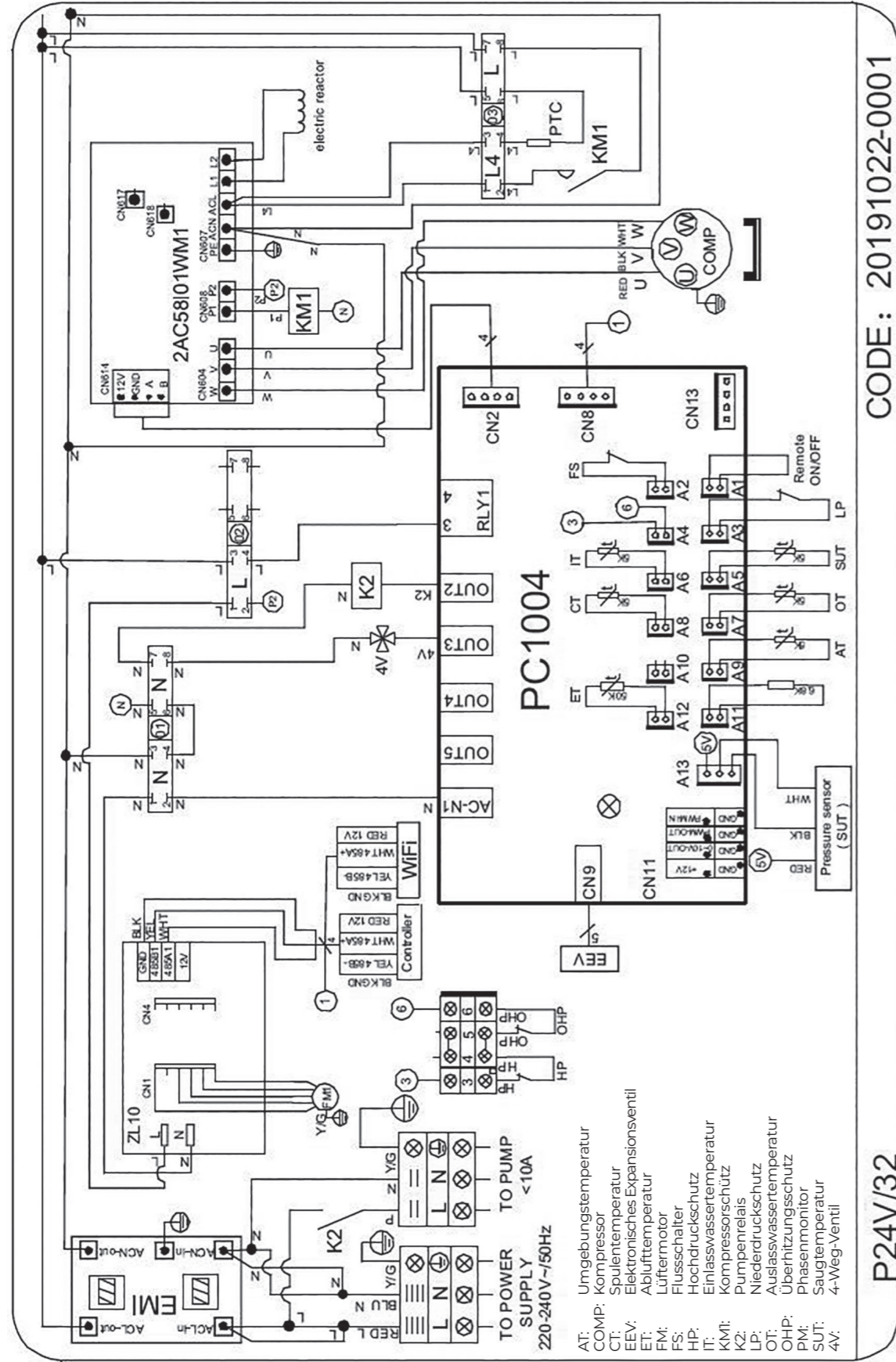
SWIMMBAD-WÄRMEPUMPEN ART PV



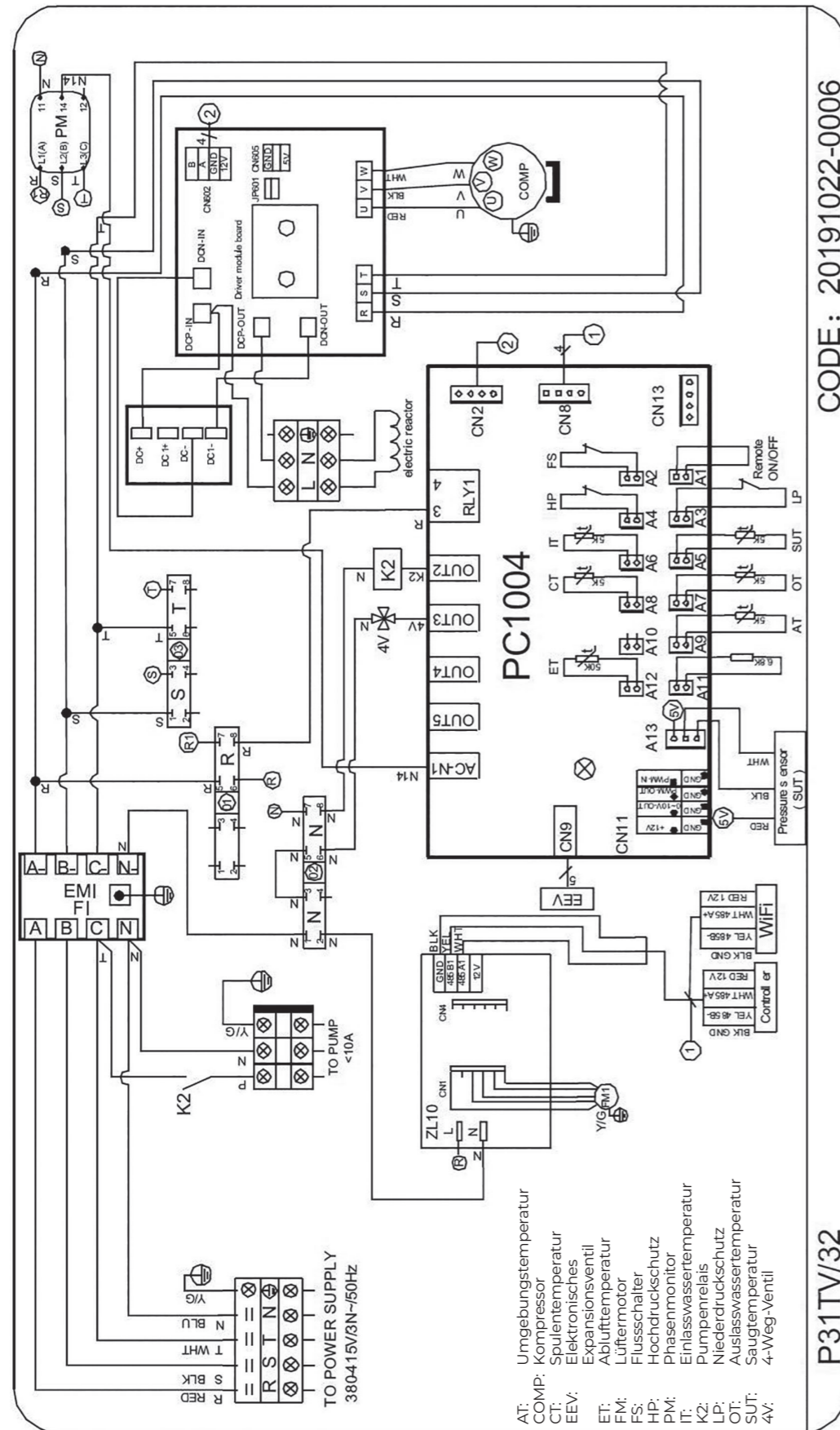
- AT: Umgebungstemperatur
- COMP: Kompressor
- CT: Spulentemperatur
- EEV: Elektronisches Expansionsventil
- EP: Abluftschutz
- ET: Ablufttemperatur
- FM: Lüftermotor
- FS: Flusschalter
- HP: Hochdruckschutz
- PM: Phasenmonitor
- IT: Einlasswassertemperatur
- K2: Pumpenrelais
- LP: Niederdruckschutz
- OT: Auslasswassertemperatur
- OHP: Überhitzungsschutz
- SUT: Saugtemperatur
- 4V: 4-Weg-Ventil

SWIMMBAD-WÄRMEPUMPEN ART PV

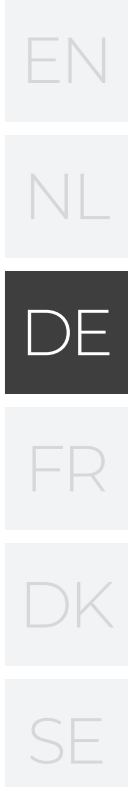
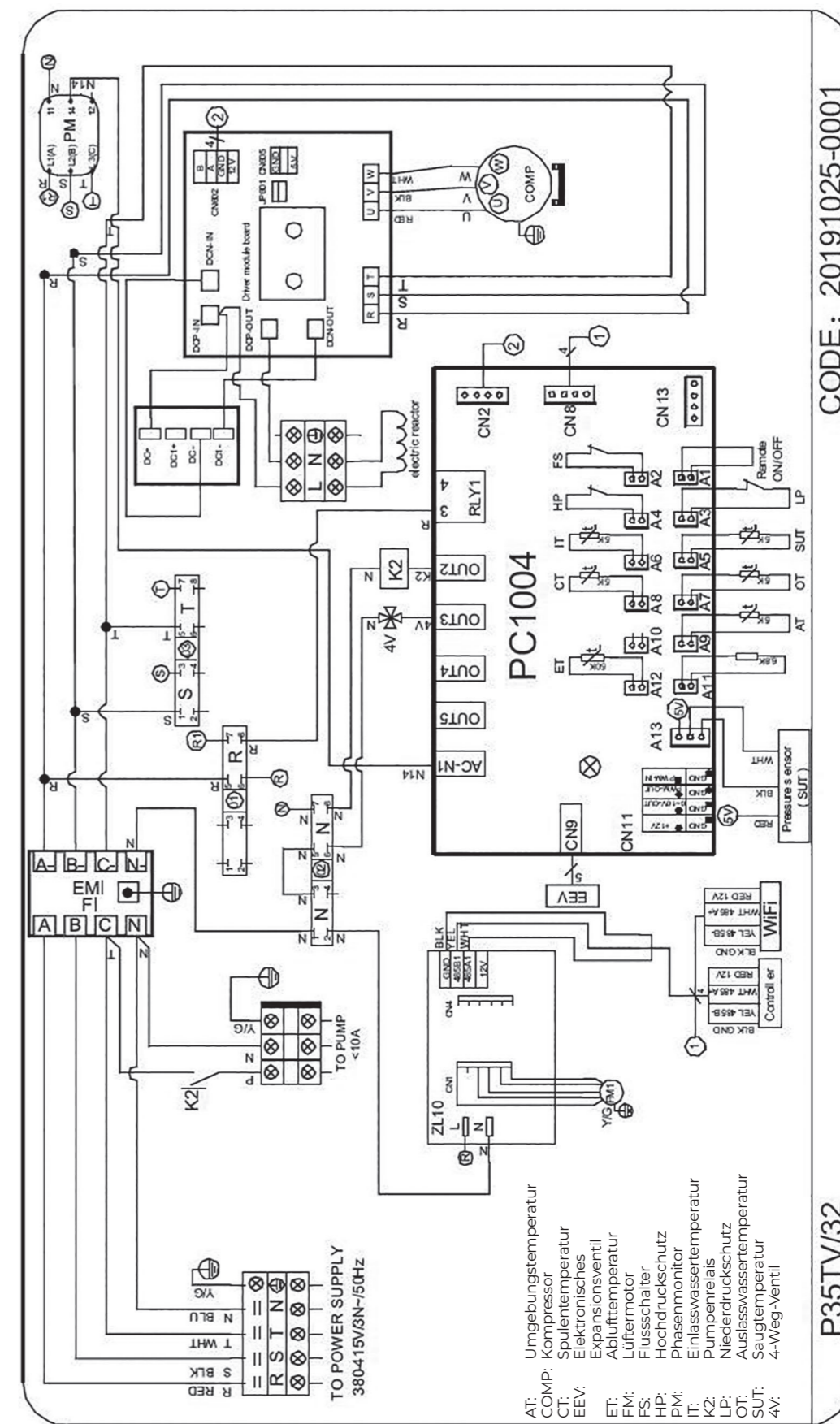
SWIMMBAD-WÄRMEPUMPEN ART PV



SWIMMBAD-WÄRMEPUMPEN ART PV



SWIMMBAD-WÄRMEPUMPEN ART PV



SWIMMBAD-WÄRMEPUMPEN ART PV

6.2 KABELSPEZIFIKATION

(1) Ein-Phasen-Einheit

Typenschild	Maximalstrom	Phasenleitung	Erdungsleitung	MCB	Kriechstromschutz	Signalleitung
Nicht mehr als 10 A		2×1.5mm ²	1.5mm ²	20A	30 mA weniger als 0,1 Sek.	n×0.5mm ²
10~16A		2×2.5mm ²	2.5mm ²	32A	30 mA weniger als 0,1 Sek.	
16~25A		2×4mm ²	4mm ²	40A	30 mA weniger als 0,1 Sek.	
25~32A		2×6mm ²	6mm ²	40A	30 mA weniger als 0,1 Sek.	
32~40A		2×10mm ²	10mm ²	63A	30 mA weniger als 0,1 Sek.	
40 ~63A		2×16mm ²	16mm ²	80A	30 mA weniger als 0,1 Sek.	
63~75A		2×25mm ²	25mm ²	100A	30 mA weniger als 0,1 Sek.	
75~101A		2×25mm ²	25mm ²	125A	30 mA weniger als 0,1 Sek.	
101~123A		2×35mm ²	35mm ²	160A	30 mA weniger als 0,1 Sek.	
123~148A		2×50mm ²	50mm ²	225A	30 mA weniger als 0,1 Sek.	
148~186A		2×70mm ²	70mm ²	250A	30 mA weniger als 0,1 Sek.	
186~224A		2×95mm ²	95mm ²	280A	30 mA weniger als 0,1 Sek.	

(2) Drei-Phasen-Einheit

Typenschild	Maximalstrom	Phasenleitung	Erdungsleitung	MCB	Kriechstromschutz	Signalleitung
Nicht mehr als 10 A		3×1.5mm ²	1.5mm ²	20A	30 mA weniger als 0,1 Sek.	n×0.5mm ²
10~16A		3×2.5mm ²	2.5mm ²	32A	30 mA weniger als 0,1 Sek.	
16~25A		3×4mm ²	4mm ²	40A	30 mA weniger als 0,1 Sek.	
25~32A		3×6mm ²	6mm ²	40A	30 mA weniger als 0,1 Sek.	
32~40A		3×10mm ²	10mm ²	63A	30 mA weniger als 0,1 Sek.	
40 ~63A		3×16mm ²	16mm ²	80A	30 mA weniger als 0,1 Sek.	
63~75A		3×25mm ²	25mm ²	100A	30 mA weniger als 0,1 Sek.	
75~101A		3×25mm ²	25mm ²	125A	30 mA weniger als 0,1 Sek.	
101~123A		3×35mm ²	35mm ²	160A	30 mA weniger als 0,1 Sek.	
123~148A		3×50mm ²	50mm ²	225A	30 mA weniger als 0,1 Sek.	
148~186A		3×70mm ²	70mm ²	250A	30 mA weniger als 0,1 Sek.	
186~224A		3×95mm ²	95mm ²	280A	30 mA weniger als 0,1 Sek.	

Wenn die Einheit im Freien installiert wird, verwenden Sie bitte das Kabel, das gegen UV-Strahlung geschützt ist.

6.3 VERGLEICHSTABELLE DER KÄLTEMITTELSÄTTIGUNGSTEMPERATUR

Druck (MPa)	0	0.3	0.5	0.8	1	1.3	1.5	1.8	2	2.3
Temperatur (R410A)(°C)	-51.3	-20	-9	4	11	19	24	31	35	39
Temperatur (R32)(°C)	-52.5	-20	-9	3.5	10	18	23	29.5	33.3	38.7
Druck (MPa)	2.5	2.8	3	3.3	3.5	3.8	4	4.5	5	5.5
Temperatur (R410A)(°C)	43	47	51	55	57	61	64	70	74	80
Temperatur (R32)(°C)	42	46.5	49.5	53.5	56	60	62	67.5	72.5	77.4



ANMERKUNGEN

SOMMAIRE

1. PRÉFACE	108
2. SPECIFICATION	110
2.1 Données de rendement de la thermopompe de la piscine	110
2.2 Les dimensions de la thermopompe de la piscine	114
3. INSTALLATION ET BRANCHEMENT	115
3.1 Illustration d'installation	115
3.2 Emplacement des thermopompes des piscines	116
3.3 À quelle distance de votre piscine ?	116
3.4 La plomberie des thermopompes de piscine	116
3.5 Câblage électrique des thermopompes de piscine	117
3.6 Première mise en service de l'unité	117
4. FONCTIONNEMENT ET UTILISATION	118
4.1 Présentation de l'interface du contrôleur de fil à écran couleur	118
4.2 Présentation de la fonction du contrôleur de fil à écran couleur	118
4.3 Liste des paramètres et tableau de répartition	122
4.4 Dessin d'interface	124
5. L'ENTRETIEN ET L'INSPECTION	128
6. APPENDIX	131
6.1 Circuit diagram	131
6.2 Caractéristiques des câbles	138
6.3 Tableau comparatif de la température de saturation du réfrigérant	138

Les erreurs et modifications techniques sont sujettes à changement, reproduction ainsi que duplication électronique uniquement avec notre autorisation écrite.

© NORSUP

Édition: 11.2020

RÉF.	TYPE		
7026965	P13V/32	7026970	P24TV/32
7026966	P17V/32	7026971	P31V/32
7026967	P21V/32	7026972	P31TV/32
7026968	P21TV/32	7026973	P35V/32
7026969	P24V/32	7026974	P35TV/32

THERMOPOMPE POUR PISCINE TYPE PV

1. PRÉFACE

Ce produit a été fabriqué selon les normes de production strictes, afin d'offrir à nos clients la qualité, la fiabilité et la polyvalence. Ce manuel contient toutes les informations nécessaires concernant l'installation, le débogage, le déchargement et la maintenance. Avant d'ouvrir ou d'entretenir l'appareil, bien vouloir lire attentivement ce manuel. Le fabricant de ce produit ne sera pas tenue responsable si quelqu'un est blessé ou si l'appareil est endommagé de suite d'une mauvaise installation, d'un débogage ou d'un entretien inutile. Il est essentiel qu'en tout temps, les instructions contenues dans ce manuel soient respectées. L'installation de l'appareil doit être effectuée par un personnel qualifié.

L'appareil ne peut être réparé que par un centre d'installation qualifié, du personnel ou un revendeur agréé.

L'entretien et le fonctionnement doivent être effectués selon la durée et la fréquence recommandées, tel qu'indiqué dans ce manuel.

N'utilisez que des pièces de rechange d'origine. Un non-respect de ces recommandations annule la garantie.

La thermopompe pour piscine chauffe l'eau de la piscine et conserve une température constante. Pour unité de type split. Pour convenir à une maison de luxe, l'unité intérieure peut être discrètement cachée ou semi-cachée. Notre pompe à chaleur a les caractéristiques suivantes :

1 Durable

L'échangeur de chaleur est fabriqué en tube PVC & Titane qui résiste à une exposition prolongée à l'eau de piscine.

2 Flexibilité d'installation

L'appareil peut être installé à l'extérieur ou à l'intérieur.

3 Fonctionnement silencieux

L'unité se compose d'un compresseur rotatif/à défilement efficace et d'un moteur de ventilateur silencieux qui garantit son fonctionnement silencieux.

4 Contrôle avancé

L'unité comprend une commande par micro-ordinateur, ce qui permet de régler tous les paramètres de fonctionnement. L'état de fonctionnement peut être affiché sur le contrôleur à fil LCD. La télécommande peut être choisie comme option future.

AVERTISSEMENT

Il est recommandé que votre pompe de filtration de piscine et votre thermopompe soient branchées indépendamment. Le branchement de votre pompe de piscine dans la thermopompe entraînera l'arrêt de votre filtration une fois que l'eau de la piscine atteint sa température. Ne branchez la pompe de la piscine à travers la thermopompe que si vous avez une pompe de piscine pour le chauffage seulement qui est indépendante de votre système de filtration de piscine. Ne pas utiliser d'autres moyens pour accélérer le processus de dégivrage ou de nettoyage outre que ceux recommandés par le fabricant. L'appareil doit être entreposé dans un local sans source d'inflammation permanente (par exemple : flammes nues, appareil à gaz en fonctionnement ou chauffage électrique en fonctionnement). Ne pas percer ou brûler. Sachez que les fluides frigorigènes peuvent ne pas contenir d'odeur, L'appareil doit être installé, utilisé et entreposé dans un local d'une superficie supérieure à X m².

REMARQUE

Le fabricant peut fournir d'autres exemples appropriés ou des informations supplémentaires sur l'odeur du réfrigérant.

· Cet appareil peut être utilisé par des enfants à partir de 8 ans et par des personnes ayant des capacités physiques, sensorielles ou mentales réduites ou un manque d'expérience et de connaissances si elles ont reçu une supervision ou des instructions sur l'utilisation de l'appareil en toute sécurité et comprennent les dangers impliqués. Ne pas laisser les enfants jouer avec l'appareil. Le nettoyage et l'entretien par l'utilisateur ne doivent pas être effectués par des enfants sans surveillance.

· Afin d'éviter un danger, si le cordon d'alimentation est endommagé, faites-le remplacer par le fabricant, son agent de service ou des personnes qualifiées.

· L'appareil doit être installé conformément aux réglementations nationales en matière de branchements.

· N'utilisez pas votre climatiseur dans une pièce humide telle qu'une salle de bain ou une buanderie.

THERMOPOMPE POUR PISCINE TYPE PV

· Tous les circuits d'alimentation doivent être débranchés, avant d'accéder aux bornes.

· Un dispositif de déconnexion ayant un dégagement d'au moins 3mm dans tous les pôles et un courant de fuite pouvant dépasser 10mA, le dispositif de courant résiduel (RCD) ayant un courant de fonctionnement résiduel nominal n'excédant pas 30mA, et la déconnexion doit être incorporée dans le câblage fixe conformément aux règles de câblage.

· Ne pas utiliser d'autres moyens pour accélérer le processus de dégivrage ou de nettoyage outre que ceux recommandés par le fabricant

· L'appareil doit être entreposé dans un local sans source d'inflammation permanente (par exemple : flammes nues, appareil à gaz en fonctionnement ou chauffage électrique en fonctionnement).

· Ne pas percer ou brûler

· L'appareil doit être installé, utilisé et entreposé dans un local d'une superficie supérieure à X m² Sachez que les fluides frigorigènes peuvent ne pas contenir d'odeur. L'installation de la tuyauterie doit être maintenue à un minimum de X m² Espaces où les conduites de réfrigérant doivent être conformes aux réglementations nationales en matière de gaz. L'entretien ne doit être effectué que selon les recommandations du fabricant. Le dispositif doit être conservé dans un endroit bien ventilé où les dimensions de la pièce correspondent à celles de la pièce spécifiées pour le fonctionnement. Toute procédure de travail ayant un impact sur les moyens de sécurité ne doit être effectuée que par des personnes compétentes.

· Transport d'équipements contenant des fluides frigorigènes inflammables Conforme à la réglementation en matière de transport Balisage de l'équipement à l'aide des signes Conforme aux réglementations locales Élimination de l'équipement utilisant des réfrigérants inflammables Conforme aux réglementations nationales Entreposage des équipements/dispositifs L'entreposage des équipements doit être conforme aux instructions du fabricant. L'entreposage des équipements emballés (invendus) La protection de l'emballage de stockage doit être construite de manière à ce que les dommages mécaniques causés à l'équipement à l'intérieur de l'emballage ne puissent causer de fuite de la charge de réfrigérant. Le nombre maximum de pièces d'équipement pouvant être entreposées ensemble sera déterminé par les règlements locaux.

ATTENTION & AVERTISSEMENT

1. L'appareil ne peut être réparé que par un centre d'installation qualifié du personnel ou un revendeur agréé. (Pour le marché européen)
2. Cet appareil n'est pas destiné à être utilisé par des personnes (y compris les enfants) ayant des capacités physiques, sensorielles ou mentales réduites, ou un manque d'expérience et de connaissances, à moins qu'elles n'aient reçu une supervision ou une instruction concernant son utilisation par une personne responsable pour leur sécurité. (Pour le marché européen) Les enfants doivent être surveillés pour s'assurer qu'ils ne jouent avec l'appareil.
3. Bien vouloir s'assurer que l'appareil et le branchement électrique ont une bonne mise à la terre, sinon vous risqueriez de provoquer une électrocution.
4. Afin d'éviter un danger, si le cordon d'alimentation est endommagé, faites-le remplacer par le fabricant, notre agent de service ou des personnes qualifiées.
5. Directive 2002/96/CE (DEEE) : Le symbole représentant une poubelle barrée d'une croix sous l'appareil indique que ce produit, à la fin de sa vie utile, doit être manipulé séparément des ordures ménagères, doit être amené à un centre de recyclage pour appareils électriques et électroniques ou remis au revendeur lors de l'achat d'un appareil équivalent.
6. Directive 2002/95/CE (RoHS) : Ce produit est conforme à la directive 2002/95/CE (RoHS) sur la limitation de l'utilisation de substances nocives dans les appareils électriques et électroniques.
7. L'appareil NE PEUT être installé près du gaz inflammable. Une fois qu'il y a une fuite de gaz, cela peut occasionner un incendie.
8. S'assurer qu'il y a un disjoncteur pour l'appareil, l'absence d'un disjoncteur peut entraîner une électrocution ou un incendie.
9. La pompe à chaleur située à l'intérieur de l'appareil est équipée d'un système de protection contre les surcharges. Il ne permet pas à l'appareil de démarrer pendant au moins 3 minutes à partir d'un arrêt précédent.
10. L'appareil ne peut être réparé que par le personnel qualifié d'un centre d'installation ou d'un revendeur agréé. (Pour le marché nord-américain)
11. L'installation doit être effectuée conformément au NEC/CEC, seulement par une personne autorisée. (Pour le marché nord-américain)
12. UTILISER DES CÂBLES D'ALIMENTATION APPROPRIÉS POUR 75°C .
13. Attention: Échangeur de chaleur à simple paroi, ne convient pas pour le raccordement de l'eau potable.

THERMOPOMPE POUR PISCINE TYPE PV

2. SPECIFICATION

2.1 DONNÉES DE RENDEMENT DE LA THERMOPOMPE DE LA PISCINE

*** FLUIDE FRIGORIGÈNE : R32

UNIT		P13V/32	P17V/32	P21V/32
Référence		7026965	7026966	7026967
Puissance calorifique (A27/W26)	kW	3.7-13.5	3.4-17.0	6.2-21.3
	Btu/h	12580-45900	11560-57800	21080-72420
COP		13.4-3.7	13.0-6.6	15.6-7.3
Puissance calorifique (A15/W26)	kW	2.7-10.0	2.7-12.7	6.5-16.3
	Btu/h	9180-34000	9180-43180	22100-55420
COP		6.2-5.0	6.8-5.0	7.0-5.4
Puissance de chauffage absorbée	kW	0.23-2.9	0.31-3.54	0.43-4.55
Alimentation électrique		220-240V /50Hz	220-240V /50Hz	220-240V /50Hz
Quantité de compresseur		1	1	1
Compresseur		rotary	rotary	rotary
Nombre de ventilateurs		1	1	1
Bruit	dB(A)	44-54	46-56	48-56
Raccordement d'eau	mm	50	50	50
Volume de débit d'eau	m ³ /h	4.2	5.5	7
Chute de pression d'eau(max)	kPa	5	9	16
Dimensions nettes de l'unité(L/W/H)	mm	Voir le dessin des unités		
Dimensions de l'unité d'expédition(L/W/H)	mm	Voir l'étiquette de l'emballage		
Poids net	kg	voir plaque signalétique		
Poids d'expédition	kg	voir l'étiquette de l'emballage		

Chauffage :

Température de l'air extérieur : 27°C/24.3°C, Température de l'eau à l'entrée : 26°C
Température de l'air extérieur : 15°C/12°C, Température de l'eau à l'entrée : 26°C

Portée de fonctionnement :

Température ambiante : -15 à 43°C
Température de l'eau : 9-40°C

THERMOPOMPE POUR PISCINE TYPE PV

*** FLUIDE FRIGORIGÈNE : R32

UNIT		P21TV/32	P24V/32	P24TV/32
Référence		7026968	7026969	7026970
Puissance calorifique (A27/W26)	kW	6.3-21.1	5.6-24.9	5.5-24.3
	Btu/h	21420-71740	19040-84600	18700-82620
COP		14.8-7.6	15.2-6.4	14.2-6.6
Puissance calorifique (A15/W26)	kW	4.5-16.3	4.4-18.7	4.1-18.8
	Btu/h	15300-55420	14960-63580	13940-63920
COP		7.4-5.6	7.1-5.1	7.1-5.1
Puissance de chauffage absorbée	kW	0.43-5.2	0.47-5.3	0.47-5.7
Alimentation électrique		380V/3N /50Hz	220-240V /50Hz	380V/3N /50Hz
Quantité de compresseur		1	1	1
Compresseur		rotary	rotary	rotary
Nombre de ventilateurs		1	1	1
Bruit	dB(A)	48-56	50-56	50-56
Raccordement d'eau	mm	50	50	50
Volume de débit d'eau	m ³ /h	7.1	9.0	9.0
Chute de pression d'eau(max)	kPa	16	16	16
Dimensions nettes de l'unité(L/W/H)	mm	Voir le dessin des unités		
Dimensions de l'unité d'expédition(L/W/H)	mm	Voir l'étiquette de l'emballage		
Poids net	kg	voir plaque signalétique		
Poids d'expédition	kg	voir l'étiquette de l'emballage		

Chauffage :

Température de l'air extérieur : 27°C/24.3°C, Température de l'eau à l'entrée : 26°C
Température de l'air extérieur : 15°C/12°C, Température de l'eau à l'entrée : 26°C

Portée de fonctionnement :

Température ambiante : -15 à 43°C
Température de l'eau : 9-40°C

THERMOPOMPE POUR PISCINE TYPE PV

*** FLUIDE FRIGORIGÈNE : R32

UNIT		P31V/32	P31TV/32	P35TV/32
Référence		7026971	7026972	7026974
Puissance calorifique (A27/W26)	kW	8.5-30.6	8.8-31.2	7.8-35.5
	Btu/h	28900-104040	29920-106080	26520-120700
COP		14.3-6.3	15.7-6.1	12.2-5.2
Puissance calorifique (A15/W26)	kW	6.4-23.8	6.5-23.6	6.4-27.5
	Btu/h	21760-80920	22100-80240	21080-93500
COP		7.8-5.0	8.2-5.0	6.8-4.1
Puissance de chauffage absorbée	kW	0.53-7.0	0.55-7.0	0.66-8.95
Alimentation électrique		220-240V/50Hz	380V/3N /50Hz	220-240V /50Hz
Quantité de compresseur		1	1	1
Compresseur		rotary	rotary	rotary
Nombre de ventilateurs		1	1	1
Bruit	dB(A)	50-57	50-57	53-59
Raccordement d'eau	mm	50	50	50
Volume de débit d'eau	m ³ /h	12.5	12.5	14.6
Chute de pression d'eau(max)	kPa	23	23	23
Dimensions nettes de l'unité(L/W/H)	mm	Voir le dessin des unités		
Dimensions de l'unité d'expédition(L/W/H)	mm	Voir l'étiquette de l'emballage		
Poids net	kg	voir plaque signalétique		
Poids d'expédition	kg	voir l'étiquette de l'emballage		

Chauffage :

Température de l'air extérieur : 27°C/24.3°C, Température de l'eau à l'entrée : 26°C
Température de l'air extérieur : 15°C/12°C, Température de l'eau à l'entrée : 26°C

Portée de fonctionnement :

Température ambiante : -15 à 43°C
Température de l'eau : 9-40°C

THERMOPOMPE POUR PISCINE TYPE PV

*** FLUIDE FRIGORIGÈNE : R32

UNIT		P35V/32
Référence		7026973
Puissance calorifique (A27/W26)	kW	7.1-35.0
	Btu/h	24140-119000
COP		11.4-5.1
Puissance calorifique (A15/W26)	kW	6.4-27.5
	Btu/h	21760-93500
COP		6.5-4.1
Puissance de chauffage absorbée	kW	0.64-8.6
Alimentation électrique		220-240V /50Hz
Quantité de compresseur		1
Compresseur		rotary
Nombre de ventilateurs		1
Bruit	dB(A)	53-59
Raccordement d'eau	mm	50
Volume de débit d'eau	m ³ /h	14.6
Chute de pression d'eau(max)	kPa	23
Dimensions nettes de l'unité(L/W/H)	mm	Voir le dessin des unités
Dimensions de l'unité d'expédition(L/W/H)	mm	Voir l'étiquette de l'emballage
Poids net	kg	voir plaque signalétique
Poids d'expédition	kg	voir l'étiquette de l'emballage

Chauffage :

Température de l'air extérieur : 27°C/24.3°C, Température de l'eau à l'entrée : 26°C
Température de l'air extérieur : 15°C/12°C, Température de l'eau à l'entrée : 26°C

Portée de fonctionnement :

Température ambiante : -15 à 43°C
Température de l'eau : 9-40°C

EN

NL

DE

FR

DK

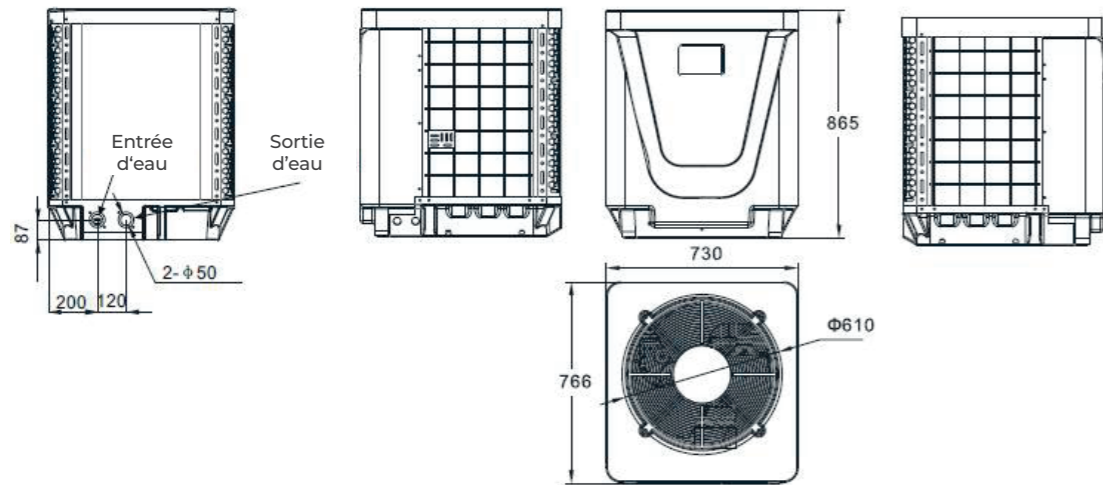
SE

THERMOPOMPE POUR PISCINE TYPE PV

2.2 LES DIMENSIONS DE LA THERMOPOMPE DE LA PISCINE

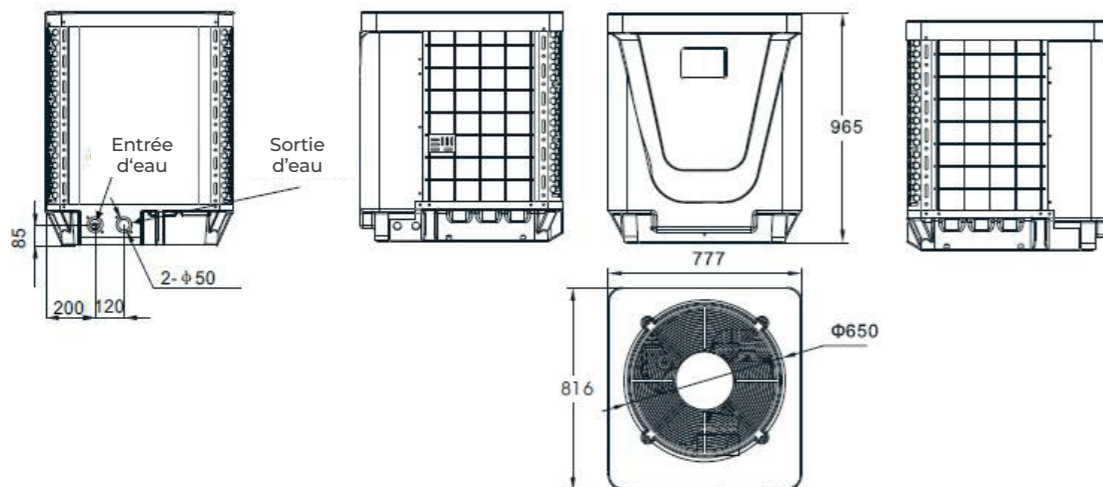
UNITE: P13V/32 /P17V/32

Unite mm



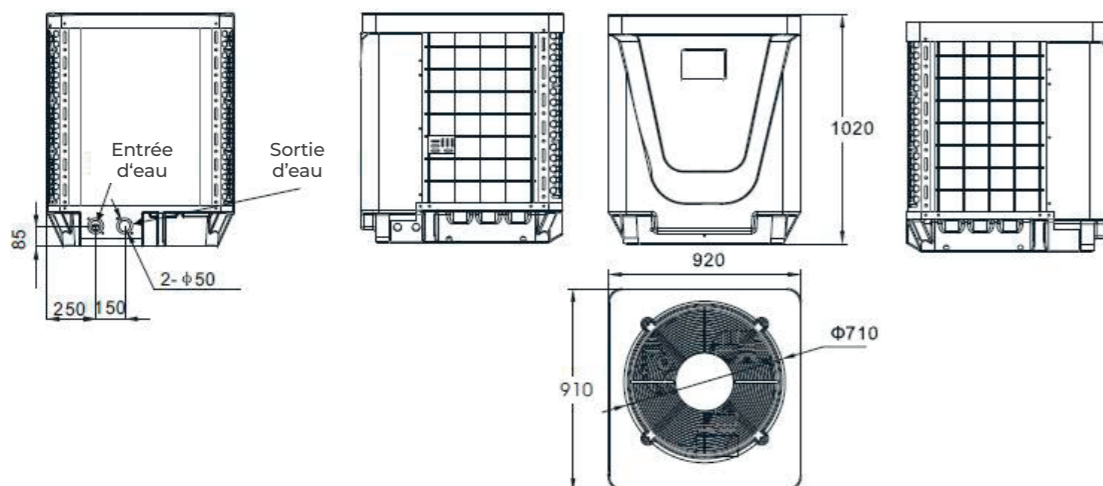
UNITE: P21V/32 /P21TV/32/P24V/32 /P24TV/32

Unite mm



UNITE: P31V/32 /P31TV/32/P35V/32/P35TV/32

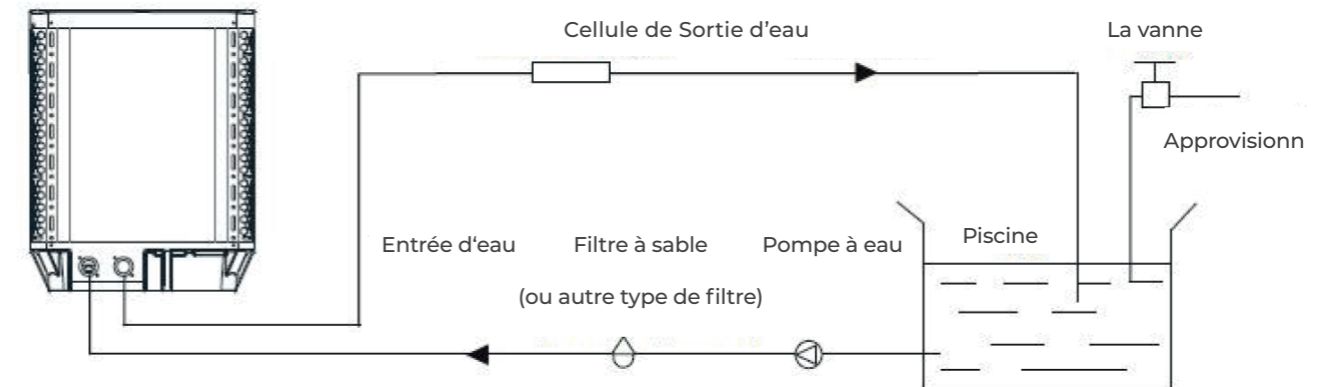
Unite mm



THERMOPOMPE POUR PISCINE TYPE PV

3. INSTALLATION ET BRANCHEMENT

3.1 ILLUSTRATION D'INSTALLATION



Éléments d'installation :

L'usine ne fournit que l'unité principale et l'unité d'eau ; les autres éléments de l'illustration sont des pièces de rechange nécessaires pour le système d'eau, celles fournies par les utilisateurs ou l'installateur.

ATTENTION



Bien vouloir suivre les étapes suivantes lors de la première utilisation

1. Ouvrir la vanne et charger l'eau.
2. S'assurer que la pompe et le tuyau d'arrivée d'eau sont remplis d'eau.
3. Fermer la vanne et démarrer l'appareil.

Attention :

Il est nécessaire que le tuyau d'arrivée d'eau soit plus haut que la surface de la piscine.

Le diagramme schématique n'est fourni qu'à titre de référence. Veuillez vérifier l'étiquette d'entrée et de sortie d'eau sur la thermopompe pendant l'installation de la plomberie.

Le régulateur est monté au mur.

THERMOPOMPE POUR PISCINE TYPE PV

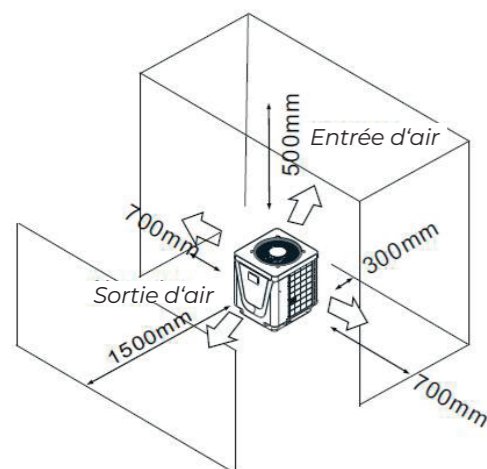
3.2 EMBLACEMENT DES THERMOPOMPES DES PISCINES

L'appareil fonctionnera bien dans n'importe quel endroit à l'extérieur à condition que les trois facteurs suivants soient présentés :
1. Air frais - 2. Électricité - 3. Tuyauterie de filtre de piscine

L'appareil peut être installé pratiquement n'importe où à l'extérieur. Bien vouloir consulter le fournisseur pour les piscines intérieures. Contrairement à un chauffe-eau au gaz, il n'a pas de problème de tirage ou de veilleuse dans une zone venteuse.

NE PAS placer l'appareil dans un endroit fermé avec un volume d'air limité, où l'air évacué sera recirculé.

NE PAS placer l'appareil sur des arbustes qui peuvent bloquer l'entrée d'air. Ces endroits privent l'appareil d'une source continue d'air frais, ce qui réduit son efficacité et peut empêcher un apport adéquat de chaleur.



3.3 À QUELLE DISTANCE DE VOTRE PISCINE ?

La thermopompe de la piscine est normalement installée à moins de 7,5 mètres de la piscine. Plus la distance de la piscine est grande, plus la perte de chaleur de la tuyauterie est importante. Dans la plupart des cas, la tuyauterie est enterrée. Par conséquent, la perte de chaleur est minime pour des parcours allant jusqu'à 15 mètres (15 mètres aller retour de la pompe = 30 mètres au total), à moins que le sol soit mouillé ou que la nappe phréatique soit élevée. Une estimation très approximative de la perte de chaleur par 30 mètres est de 0,6 kW-heure, (2000BTU) pour chaque différence de température de 5°C entre l'eau de la piscine et le sol entourant le tuyau, ce qui se traduit par une augmentation d'environ 3 à 5% du temps de fonctionnement.

3.4 LA PLOMBERIE DES THERMOPOMPES DE PISCINE

L'échangeur de chaleur à débit nominal en titane exclusif aux thermopompes de piscines ne nécessite aucune installation de plomberie spéciale, à l'exception de la dérivation (bien vouloir régler le débit conformément à la plaque signalétique). La perte de charge de l'eau est inférieure à 10 kPa au maximum. Débit. Puisqu'il n'y a pas de chaleur résiduelle ou de températures de flamme. L'appareil n'a pas besoin d'une tuyauterie de dissipateur thermique en cuivre. Les tuyaux en PVC peuvent être posés directement dans l'appareil.

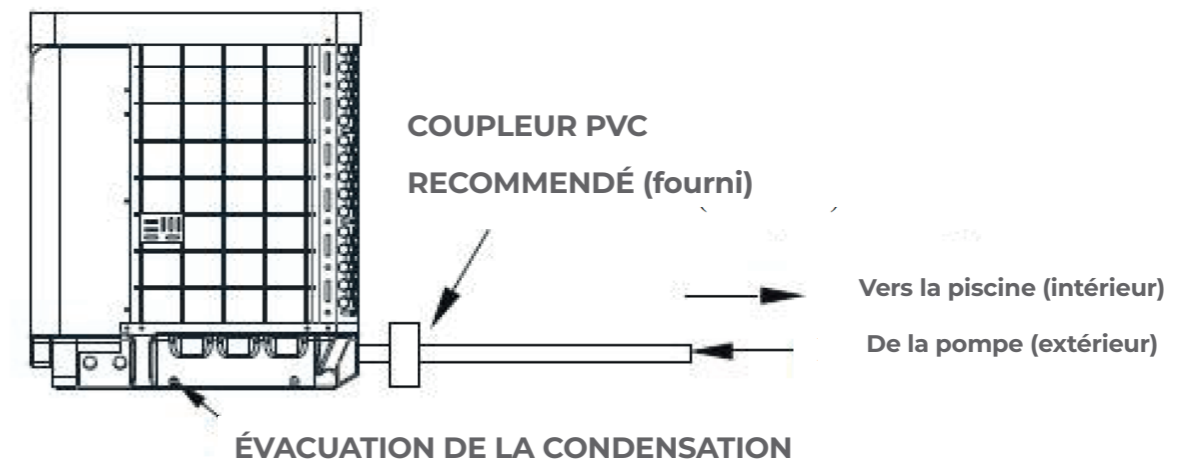
Emplacement : Branchez l'appareil dans la conduite de refoulement (retour) de la pompe de la piscine en aval de toutes les pompes de filtration et de la piscine et en amont de tous les chlorinateurs, ozonateurs ou pompes chimiques. Le modèle standard est équipé de raccords à colle glissante qui acceptent des tuyaux en PVC de 32 mm ou 50 mm pour le raccordement à la tuyauterie de filtration de la piscine ou du spa. En utilisant un 50 NB à 40NB, vous pouvez plomber 40NB.

Envisager sérieusement d'ajouter un raccord rapide à l'entrée et à la sortie de l'unité pour permettre une vidange facile de l'unité pour l'hivernage et pour faciliter l'accès si un entretien s'avère nécessaire. is no chlorine present, then it's condensation.

Condensation : Comme la thermopompe refroidit l'air à environ 4-5, l'eau peut se condenser sur les ailettes de l'évaporateur en forme de fer à cheval. Si l'humidité relative est très élevée, elle peut atteindre plusieurs litres par heure. L'eau s'écoulera par les ailettes dans la bassine et s'écoulera par le raccord d'évacuation de condensat en plastique barbelé sur le côté de la bassine. Ce raccord est conçu pour accepter des tubes de vinyle transparent de 20 mm qui peuvent être enfoncés à la main et dirigés vers un drain approprié. Il est facile de confondre la condensation avec une fuite d'eau à l'intérieur de l'appareil.

NB : Une façon rapide de vérifier que cette eau est de la condensation c'est d'arrêter l'appareil et de laisser la pompe de la piscine en marche. Au cas où l'eau cesse de s'écouler de la bassine, c'est de la condensation. UNE FAÇON PLUS RAPIDE C'EST DE TESTER L'EAU DE DRAINAGE POUR LE CHLORE - si le chlore n'est pas présent, alors c'est de la condensation.

THERMOPOMPE POUR PISCINE TYPE PV



3.5 CÂBLAGE ÉLECTRIQUE DES THERMOPOMPES DE PISCINE

REMARQUE

Bien que l'échangeur de chauffage de l'unité soit isolé électriquement du reste de l'ÉVACUATION DE LA CONDENSATION Vers la piscine (intérieur) De la pompe (extérieur) COUPLEUR PVC RECOMMANDÉ (fourni) l'unité, il empêche simplement le flux d'électricité vers ou depuis l'eau de la piscine.

La mise à la terre de l'appareil est toujours nécessaire pour vous protéger contre les courts-circuits à l'intérieur de l'appareil. Le collage est également nécessaire. L'appareil est équipé d'une boîte de jonction moulée séparée avec un raccord de conduit électrique standard déjà en place. Il faut simplement enlever les vis et le panneau avant, introduire les lignes d'alimentation à travers l'embout du conduit et écrouter les fils d'alimentation électrique dans les trois connexions déjà dans la boîte de jonction (quatre connexions si triphasé). Pour effectuer le branchement électrique, raccorder la thermopompe à l'aide d'un conduit électrique, d'un câble UF ou d'un autre moyen approprié tel que spécifié (tel que permis par les autorités électriques locales) à un circuit d'alimentation électrique spécialisé CA équipé d'un disjoncteur approprié ou d'un fusible à retardement. Débrancher - Un moyen de débranchement (disjoncteur, interrupteur avec ou sans fusible) doit être placé à portée de vue et facilement accessible de l'appareil. C'est une pratique courante sur les climatiseurs et les thermopompes commerciaux et résidentiels. Il empêche la mise sous tension à distance d'appareils sans surveillance et permet de couper l'alimentation de l'appareil pendant l'entretien de celui-ci.

3.6 PREMIÈRE MISE EN SERVICE DE L'UNITÉ

REMARQUE

Pour que l'appareil puisse chauffer la piscine ou le spa, la pompe du filtre doit être en marche pour faire circuler l'eau à travers l'échangeur de chaleur.

Procédure de démarrage - Une fois l'installation terminée, L'on devra suivre ces étapes :
1. Allume la pompe de filtration. Vérifie s'il y a des fuites d'eau et vérifie le débit à destination et en provenance de la piscine.
2. Allume l'appareil, puis appuie sur la touche EN MARCHE/ARRET du contrôleur de fil. Il devrait démarrer dans quelques secondes.
3. Après quelques minutes de marche, s'assurer que l'air sortant du haut de l'appareil est plus frais (Entre 5-10°C)
4. Si la pompe de filtration s'arrête pendant le fonctionnement de l'appareil, l'appareil doit également s'éteindre automatiquement.
5. Laisser l'appareil et la pompe de la piscine fonctionner 24 heures par jour jusqu'à ce que la température désirée de l'eau de la piscine soit atteinte. Lorsque la température d'entrée d'eau atteint ce réglage, l'appareil ralentit pendant un certain temps ; si la température est maintenue pendant 45 minutes, l'appareil s'éteint. L'appareil redémarre automatiquement (tant que la pompe de la piscine fonctionne) lorsque la température de la piscine descend de plus de 0,2 °C sous la température réglée.

Délai de temporisation - L'appareil est équipé d'un délai de redémarrage à l'état solide de 3 minutes pour protéger les composants du circuit de commande et pour éliminer les cycles de redémarrage et les bruits de contacteur. Cette temporisation redémarre automatiquement l'appareil environ 3 minutes après chaque interruption du circuit de commande. Même une brève coupure de courant active le délai de redémarrage à l'état solide de 3 minutes et empêche l'appareil de démarrer avant que le compte à rebours de 5 minutes ne soit terminé.

THERMOPOMPE POUR PISCINE TYPE PV

4. FONCTIONNEMENT ET UTILISATION

4.1 PRÉSENTATION DE L'INTERFACE DU CONTRÔLEUR DE FIL À ÉCRAN COULEUR

(1) Interface principale



(2) Description des touches

NO.	NOM	LA FONCTION DE LA TOUCHE
1	EN MARCHÉ/ARRET	Appuyer pour démarrer / arrêter l'appareil
2	Paramètres	Cliquer sur ce bouton pour visualiser l'état de l'unité et le paramètre
3	HORLOGE	Appuyer sur cette touche pour régler l'horloge, la minuterie activée ou désactivée. Lorsque la minuterie démarre, le bouton est vert.
4	Affichage des défauts	Cliquer pour voir l'historique des défauts
5	Réglage silencieux	Cliquer pour activer/désactiver la fonction silencieuse et pour régler la temporisation Fonction basse vitesse.
6	MODE	Cliquer pour accéder au réglage du mode et à la température de consigne. Interface de réglage
7	Courbe de température	Cliquez pour visualiser la courbe de température et de puissance
8	Température d'entrée d'eau	Cliquer pour accéder au réglage du mode et à la température de consigne. Interface de réglage
9	VERROUILLAGE	Cliquer pour verrouiller l'écran. Entrer le « 22 » pour déverrouiller l'écran en appuyant sur la touche de « verrouillage »

4.2 PRÉSENTATION DE LA FONCTION DU CONTRÔLEUR DE FIL À ÉCRAN COULEUR

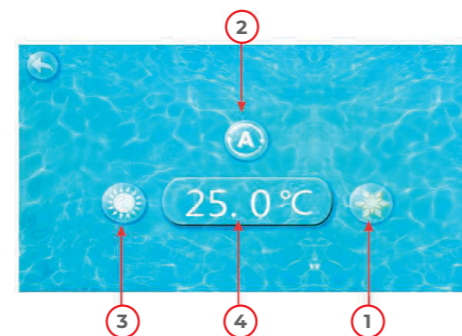
(1) Démarrage et arrêt

Comme le montre la figure 1.1: En état d'arrêt, cliquer sur **1** puis l'unité sera démarrée. Dans l'état de démarrage, cliquer **1** puis l'appareil s'éteindra

(2) Commutateur de mode et température de consigne Réglage

(2.1) Commutateur de mode

Dans l'interface principale, cliquez sur la touche de mode ou sur le touche de réglage de la température de l'eau d'entrée, l'interface s'affiche comme suit :



Cliquer sur la touche du mode de réfrigération **1**, la touche du mode automatique **2** ou la touche du mode chauffage **3** l'on pourra alors sélectionner le mode correspondant. Remarque : lorsque l'appareil est conçu pour le mode automatique simple ou le mode thermique simple, le mode ne peut pas être commuté.

(2.2) Réglage de la température de consigne

Cliquer sur la touche de réglage de la température **4**, vous pouvez régler la température de consigne.

THERMOPOMPE POUR PISCINE TYPE PV

(3) Réglage de l'horloge

Dans l'interface principale, cliquer sur la touche Paramètres de l'horloge, l'interface s'affiche comme suit :



(3.1) Le fonctionnement du réglage de l'heure

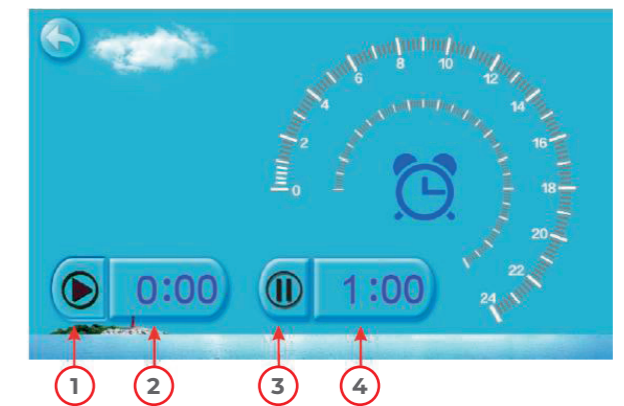
Cliquer sur la touche Réglages horaires **1**, l'interface s'affiche comme suit :



Cliquer sur la valeur pour régler directement l'heure, puis cliquer sur la touche confirmer pour enregistrer les paramètres. Par exemple : temps de réglage : le 30-11-2016 16:00:00, saisir 30 11 16 00 00, le changement d'heure puis cliquer sur confirmer. Remarque : si le format d'entrée n'est pas correct, en cliquant sur la touche confirmer, la mauvaise heure sera enregistrée.

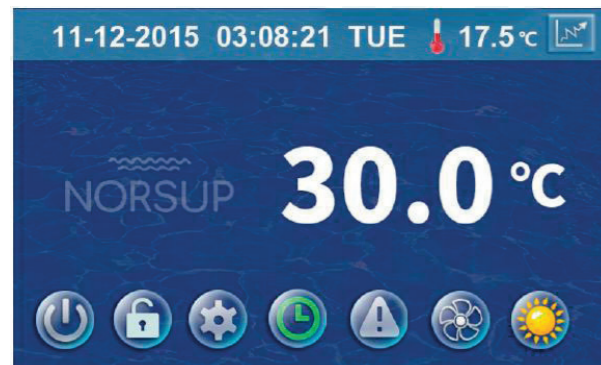
(3.2) Le fonctionnement du réglage de la temporisation

Cliquer sur la touche de réglage de la temporisation **2** pour entrer dans l'interface de réglage de la temporisation.



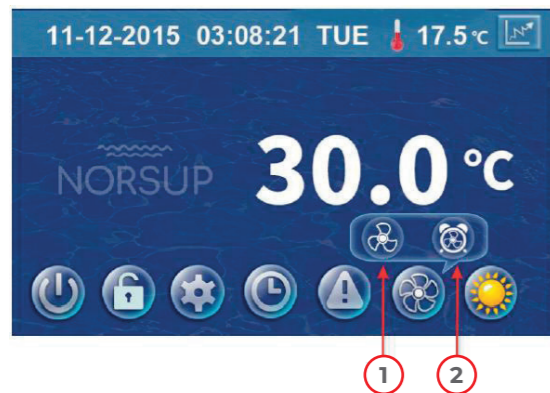
NO.	NOM	COULEUR DE LA TOUCHE	FONCTION DE LA TOUCHE
1	Tableau de la temporisation.	- Commencer : vert - Terminer : gris	Cliquer sur cette touche pour commencer ou terminer la fonction de réglage démarrage de la temporisation.
2	Réglage de la temporisation en marche		Cliquez pour régler l'heure de début de la temporisation.
3	Touche de fin de chronométrage	- Ouvert : rouge - Terminer : gris	Cliquer sur cette touche pour commencer ou terminer la fonction de réglage fin de la temporisation.
4	Réglage de la temporisation en arrêt		Cliquez pour régler l'heure du fin de la temporisation.

THERMOPOMPE POUR PISCINE TYPE PV



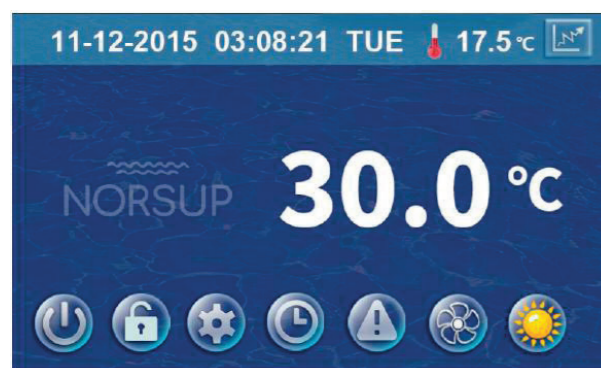
Lorsque la minuterie démarre, la touche de l'horloge est verte dans l'interface principale.

(4) Réglage silencieux et réglage silencieux de la temporisation Cliquer sur la touche de réglage silencieux et l'interface s'affiche comme suit :



(4.1) La touche silencieux

Cliquer sur la touche silencieux 1, l'appareil passe en mode silence et l'interface s'affiche comme suit :



Cliquer sur la touche silencieux 1 encore, pour quitter le mode silencieux.

(4.2) Réglage de la fonction silencieuse de temporisation Cliquer sur la touche silencieuse de temporisation 2, et l'interface s'affiche comme suit :



NO.	NOM	COOLEUR	FONCTION
1	Temporisation silencieuse éteint	Utilisé : rouge Non utilisé : gris	Cliquer pour utiliser ou inutiliser la fonction d'arrêt de la temporisation
2	Temporisation silencieuse allumé	Utilisation : vert Non utilisé : gris	Cliquer pour utiliser ou inutiliser la fonction d'allumer de la temporisation
3	Temps de démarrage silencieux de la temporisation		Cliquer sur cette touche pour régler l'heure de démarrage silencieux de la temporisation
4	Temps d'arrêt silencieux de la temporisation		Cliquer sur cette touche pour régler l'heure d'arrêt silencieux de la temporisation

Les valeurs de réglage de l'heure de début et de fin doivent être comprises entre 0:00 -23:00, et la valeur de réglage peut être précise au chiffre des heures.

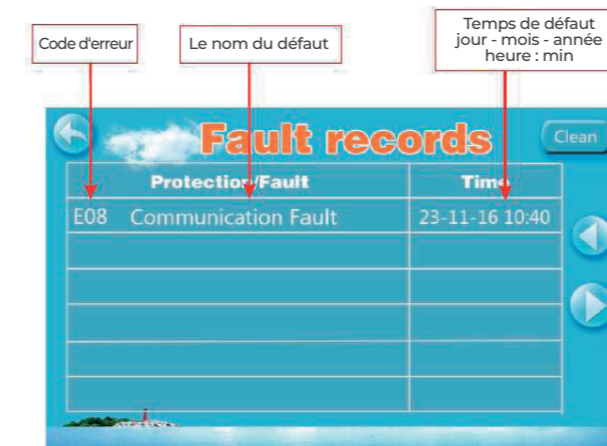
Par exemple ci-dessus, cliquer sur « EN MARCHE » pour utiliser le mode de temporisation silencieux, L'unité commencera le silence à 0:00 points et se terminera à 4:00;

Cliquer sur « ETEINT » pour désactiver le silence de temporisation, mais si l'appareil est en mode silence de temporisation, il quitte immédiatement le silence de temporisation.

THERMOPOMPE POUR PISCINE TYPE PV

(5) Historique du défaut

Dans l'interface principale, cliquer sur la touche d'affichage des défauts, l'interface s'affiche comme suit :



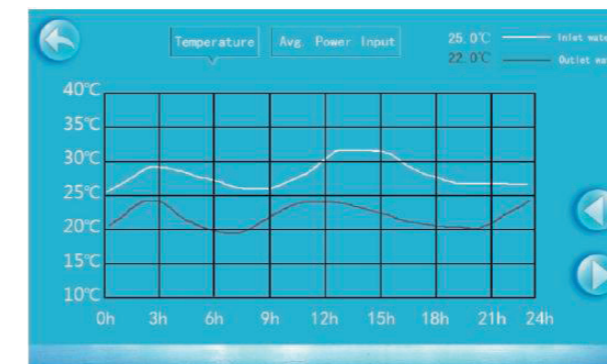
En l'absence de panne, l'interface principale affiche « statique ». En cas de défaut, l'icône de défaut clignote entre les touches « ▲ » et « ▼ ». L'interface de défaillance enregistre l'heure, le code, le nom du défaut. Si vous ne vérifiez pas l'enregistrement de panne près le dépannage, l'interface principale affichera statique « ▲ »; si vous vérifiez l'enregistrement d'erreur, l'interface principale affichera les données statiques « ▼ »;

L'enregistrement des défaillances s'effectue dans l'ordre inverse, en fonction de l'heure de l'événement. Appuyer sur la touche « Nettoyage », il est possible de supprimer l'enregistrement de défaut.

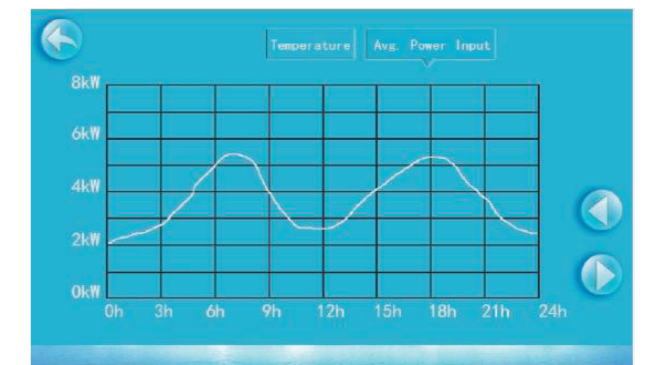
(6) Courbe de température

Dans l'interface principale, cliquer sur la touche d'affichage de la courbe, l'interface s'affiche comme suit :

(6.1) La courbe d'enregistrement de la température est la suivante :



(6.2) La courbe de puissance moyenne



La courbe de température se met à jour automatiquement toutes les heures et l'enregistrement de la courbe peut être conservé pendant 60 jours ;

Commencer à partir de la dernière courbe sauvegardée, si l'alimentation est coupée et que le temps de collecte des données de la courbe est inférieur à une heure, les données ne seront pas sauvegardées pendant cette période ;

THERMOPOMPE POUR PISCINE TYPE PV

4.3 LISTE DES PARAMÈTRES ET TABLEAU DE RÉPARTITION

(1) Tableau des défauts de la commande électronique

Peut être jugé en fonction du code de panne et du dépannage de la télécommande

Protéger/défaut	Affichage des défauts	Raison	Méthodes d'élimination
En attente	Aucun		
Démarrage normale	Aucun		
Température d'entrée. Défaut capteur	P01	La température Le capteur est cassé ou en court-circuit	Vérifier ou modifier la température. Capteur
Température de sortie. Défaut capteur	P02	La température Le capteur est cassé ou en court-circuit	Vérifier ou modifier la température. Capteur
Température ambiante. Défaut capteur	P04	La température Le capteur est cassé ou en court-circuit	Vérifier ou modifier la température. Capteur
Température de la bobine Défaut capteur	P05	La température Le capteur est cassé ou en court-circuit	Vérifier ou modifier la température. Capteur
Température d'aspiration Défaut capteur	P07	La température Le capteur est cassé ou en court-circuit	Vérifier ou modifier la température. Capteur
Température de décharge Capteur Défaut	P081	La température Le capteur est cassé ou en court-circuit	Vérifier ou modifier la température. Capteur
Protection haute pression.	E01	Le commutateur haute pression est brisé	Vérifier le commutateur et le circuit froidit
Protection basse pression.	E02	Protection basse pression 1	Vérifier le commutateur et le circuit froidit
Protection du commutateur de débit.	E03	Pas d'eau/peu d'eau dans le système d'eau	Vérifier le débit d'eau de la conduite et la pompe à eau
Protection antigel	E07	Le débit d'eau n'est pas suffisant	Vérifier le débit d'eau de la conduite et si le système d'eau est bloqué ou pas
Protection antigel primaire	E19	La température ambiante. est faible	
Protection antigel secondaire.	E29	La température ambiante. est faible	
Température d'entrée et de sortie trop élevée	E06	Le débit d'eau n'est pas suffisant et faible pression différentielle	Vérifier le débit d'eau de la conduite et si le système d'eau est bloqué ou pas
Protection basse température	Non	La température ambiante est basse	
Comp. Protection surintensité	E051	Le compresseur est en surcharge	Vérifier si le système du compresseur fonctionne normalement
Protection contre les surchauffes de l'air évacué	P082	Le compresseur est en surcharge	Vérifier si le système du compresseur fonctionne normalement
Erreur de communication	E08	Erreur de communication entre le contrôleur de fil et la carte mère	Vérifier la connexion du fil entre le contrôleur de fil distant et la carte principale.
Température antigel. Défaut capteur	P09	le capteur de température de l'antigel est cassée ou court-circuitée	vérifier et remplacer ce capteur de température
Protection antigel pour le passage de l'eau	E05	la température de l'eau ou la température ambiante est trop basse	
Défaut de rapports du ventilateur EC	F051	Le moteur du ventilateur a des problèmes et il s'arrête de tourner.	Vérifier si le moteur du ventilateur est cassé, verrouillé ou non.
Défaut du capteur de pression	PP	Le capteur de pression est brisé	Vérifier ou changer le capteur de pression ou la pression
Défaut moteur 2 du ventilateur	F031	1. Le moteur est à l'état de rotor bloqué 2.La connexion du fil entre le module moteur du ventilateur CC et le moteur du ventilateur n'est pas bon	1.changer un nouveau moteur de ventilateur 2.Vérifier le branchement des fils et s'assurer qu'ils sont en bon contact.
Défaut moteur 2 du ventilateur	F032	1. Le moteur est à l'état de rotor bloqué 2.La connexion du fil entre le module moteur du ventilateur CC et le moteur du ventilateur n'est pas bon	1.changer un nouveau moteur de ventilateur 2.Vérifier le branchement des fils et s'assurer qu'ils sont en bon contact.
Erreur de communication (module de contrôle de vitesse)	E081	Échec de module de contrôle de vitesse et la communication de la carte principale	Vérifier la connexion de communication

THERMOPOMPE POUR PISCINE TYPE PV

TABLEAU DES DÉFAUTS DE LA CARTE DE CONVERSION DE FRÉQUENCE :

Protéger/défaut	Affichage des défauts	Raison	Méthodes d'élimination
Alarme DrV1 MOP	F01	Alarme d'entraînement MOP	Récupération après les 150s
Onduleur hors ligne	F02	Échec de communication entre la carte de conversion de fréquence et la carte principale	Vérifier la connexion de communication
Protection IPM	F03	Protection modulaire IPM	Récupération après les 150s
Comp. Échec de conducteur	F04	Absence de dommages matériels au niveau des phases, des marches ou du variateur	Vérifier la tension de mesure Vérifier le matériel de la carte de conversion de fréquence
Défaut du ventilateur CC	F05	Circuit ouvert ou court-circuit du retour courant moteur	Vérifier si les fils de retour de courant sont connectés au moteur.
Surintensité de courant IPM	F06	IPM Le courant d'entrée est important	Vérifier et ajuster la mesure du courant
Inv. Surtension CC	F07	Tension du bus CC>Valeur de protection contre les surtensions du bus CC	Vérifier la mesure de tension d'entrée
Inv. Baise de tension CC	F08	Tension du bus CC>Valeur de protection contre les surtensions du bus CC	Vérifier la mesure de tension d'entrée
Inv. Baise de tension d'entrée .	F09	La tension d'entrée est basse, ce qui provoque un courant d'entrée élevé.	Vérifier la mesure de tension d'entrée
Inv. Surtension d'entrée.	F10	La tension d'entrée est trop élevée, plus que le courant de protection contre les coupures RMS	Vérifier la mesure de tension d'entrée
Inv. Volt d'échantillonnage	F11	Le défaut d'échantillonnage de la tension d'entrée	Vérifier et ajuster la mesure du courant
Comm. Err DSP-PFC	F12	Erreur de connexion DSP et PFC	Vérifier la connexion de communication
Courant d'entrée en surintensité	F26	La charge de l'équipement est trop importante	
Défaut du PFC	F27	La protection du circuit PFC	Vérifier s'il y a court-circuit du tube de commutation PFC ou non
Surchauffe IPM	F15	Le module IPM est en surchauffe	Vérifier et ajuster la mesure du courant
Faible avertissement magnétique	F16	La force magnétique du compresseur ne suffit pas	
Inv. Phase d'entrée-sortie	F17	La phase de perte de tension d'entrée	Vérifier et mesurer le réglage de la tension
Courant d'échantillonnage IPM	F18	L'échantillonnage de l'électricité IPM erroné	Vérifier et ajuster la mesure du courant
Inv. Température. Échec de sondage	F19	Le capteur est en court-circuit ou en circuit ouvert	Contrôler et remplacer le capteur
Surchauffe de l'onduleur	F20	Transducteur surchauffé	Vérifier et ajuster la mesure du courant
Inv. Avertissement de surchauffe	F22	La température du transducteur trop élevée	Vérifier et ajuster la mesure du courant
Comp. Surintensité de courant Avertir	F23	L'électricité du compresseur est importante	La protection de surintensité du compresseur
Courant d'entrée en surintensité Avertir	F24	Le courant d'entrée est trop important	Vérifier et ajuster la mesure du courant
Avertissement d'erreur EEPROM	F25	Erreur MCU	Vérifier si la puce est endommagée Remplacer la puce
V15V défaut de sur/sous-tension	F28	Surcharge ou sous-tension du V15V	Vérifier la tension d'entrée V15V dans la plage 13.5v~16.5v ou non

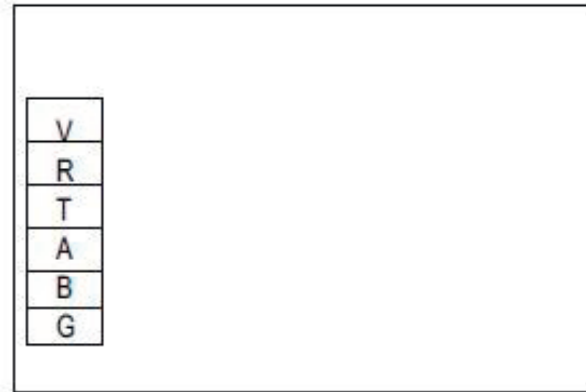
(2) Liste des paramètres

Signification	Par défaut	Remarques
Point de consigne de la température de consigne de la réfrigération	28°C	Réglable
Chauffage du point de consigne de température cible	28°C	Réglable
Point de consigne automatique de la température cible	27°C	Réglable

THERMOPOMPE POUR PISCINE TYPE PV

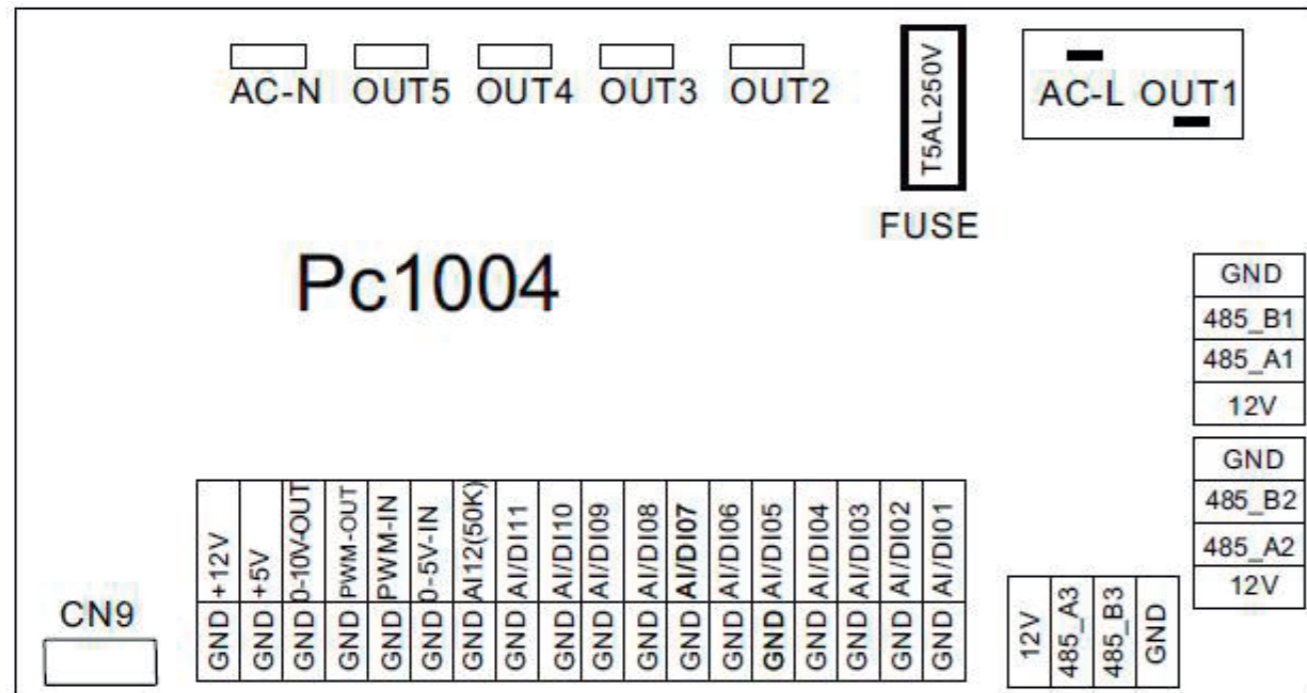
4.4 DESSIN D'INTERFACE

(1) Schéma et définition de l'interface de commande des câbles Enseigne



Sign	Meaning
V	12V (alimentationr +)
R	Inutile
T	Inutile
A	485A
B	485B
G	GND (alimentation-)

(2) Schéma et définition de l'interface du régulateur



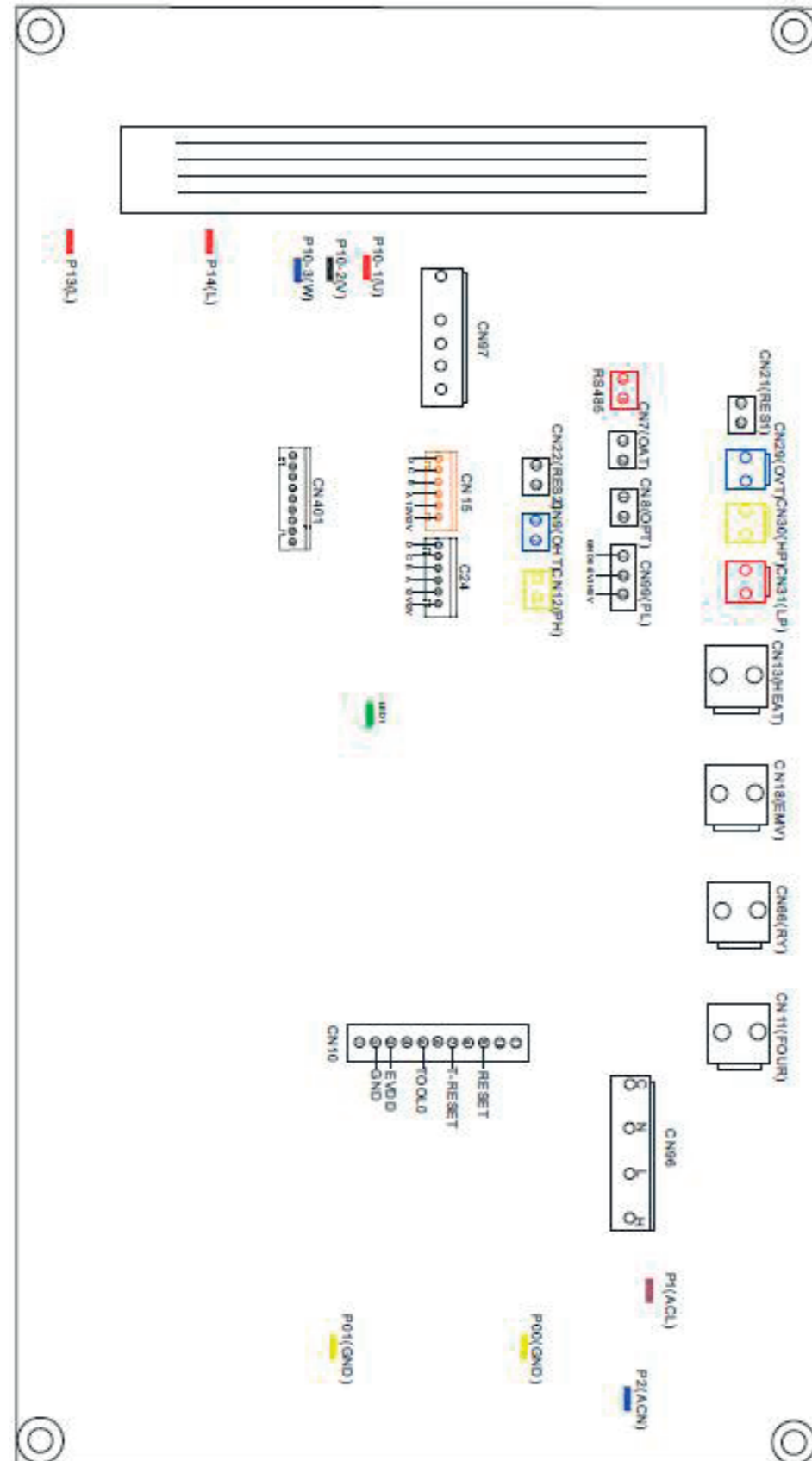
THERMOPOMPE POUR PISCINE TYPE PV

Carte principale des instructions d'interface d'entrée et de sortie ci-dessous

Número	Enseigne	Signification
01	OUT1	Compresseur (sortie 220-230VAC)
02	OUT2	Pompe à eau (sortie 220-230VAC)
03	OUT3	Vanne 4 voies (sortie 220-230VAC)
04	OUT4	Vitesse forte du ventilateur (sortie 220-230VAC)
05	OUT5	Vitesse faible du ventilateur (sortie 220-230VAC)
06	AC-L	Câble sous tension (entrée 220-230VAC)
07	AC-N	Fil neutre (entrée 220-230VAC)
08	AI/DI01	Entrée de l'interrupteur d'urgence
09	AI/DI02	Entrée du commutateur de débit d'eau
10	AI/DI03	Entrée basse pression du système
11	AI/DI04	Entrée haute pression du système
12	AI/DI05	Entrée de la température d'aspiration du système
13	AI/DI06	Entrée de température de l'eau à l'entrée
14	AI/DI07	Température de sortie de l'eau (entrée)
15	AI/DI08	Température de la bobine du ventilateur du système entrée
16	AI/DI09	Entrée température ambiante
17	AI/DI10	Entrée de l'interrupteur de mode
18	AI/DI11	Interrupteur machine maître-esclave / Entrée température antigel
19	AI12(50K)	Entrée de température d'échappement du système
20	0_5V_IN	Détection du courant du compresseur/capteur de pression (entrée)
21	PWM_IN	Commutateur de machine maître-esclave / signal de Retour de EC ventilateur (entrée)
22	PWM_OUT	Commande du ventilateur CA (sortie)
23	0_10V_OUT	Commande de ventilateur EC (sortie)
24	+5V	+5V (sortie)
25	+12V	+12V (sortie)
26	GND	
27	485_B1	Communications par carte de conversion de fréquence
28	485_A1	
29	12V	
30	GND	
31	485_B2	Communication du contrôleur de ligne couleur
32	485_A2	
33	12V	
34	CN9	Soupape de détente électronique
35	GND	
36	485_B3	Le port pour système de contrôle centralisé
37	485_A3	
38	12V	

THERMOPOMPE POUR PISCINE TYPE PV

Schéma et définition de l'interface du contrôleur



THERMOPOMPE POUR PISCINE TYPE PV

Carte principale des instructions d'interface d'entrée et de sortie ci-dessous

Numéro	Enseigne	Signification
01	P10-(U)	Compresseur (sortie 220-230VAC)
02	P10-(V)	
03	P10-(W)	
04	CN18(EMV)	Pompe à eau (sortie 220-230VAC)
05	CN13(HEAT)	Vanne 4 voies (sortie 220-230VAC)
06	CN96(H)	Vitesse forte du ventilateur (sortie 220-230VAC)
07	CN96(L)	Vitesse faible du ventilateur (sortie 220-230VAC)
08	P1(AC-L)	Câble sous tension (entrée 220-230VAC)
09	P2(AC-N)	Fil neutre (entrée 220-230VAC)
10	CN99(PL)	Capteur de pression
11	CN29(OVT)	Interrupteur haute pression (entrée)
12	CN30(HP)	Interrupteur haute pression (entrée)
13	CN31(LP)	Interrupteur basse pression (entrée)
14	CN7(OAT)	Température d'aspiration du système (entrée)
15	CN21(RES1)	Température d'entrée de l'eau (entrée)
16	CN22(RES2)	Température de sortie de l'eau (entrée)
17	CN8(OPT)	Température de la bobine du ventilateur du système (entrée)
18	CN12(PH)	Température ambiante (entrée)
19	CN9(OHT)	Entrée de température d'échappement du système
20	P00(GND)	Fil de terre
21	P01(GND)	Fil de terre
22	P13(L) P14(L)	Réacteur électrique
23	R485(B) R485(A)	Communication du contrôleur de ligne couleur
24	CN15	Soupape de détente électronique

THERMOPOMPE POUR PISCINE TYPE PV

5. L'ENTRETIEN ET L'INSPECTION

Vérifier souvent le dispositif d'alimentation en eau et le déverrouillage. Évitez que de l'eau ou de l'air ne pénètre dans le système, car cela influencera la performance et la fiabilité de l'appareil. Bien vouloir nettoyer régulièrement le filtre de la piscine/du spa pour éviter d'endommager l'appareil en raison de l'encrassement ou de l'obstruction du filtre.

La zone autour de l'appareil doit être sèche, propre et bien ventilée Nettoyer régulièrement l'échangeur de chaleur latéral afin de maintenir un bon échange thermique et d'économiser l'énergie.

La pression de service de l'installation frigorifique ne doit être réparée que par un technicien agréé.

Vérifier souvent l'alimentation électrique et le branchement des câbles. Si l'appareil commence à fonctionner anormalement, l'éteindre et contacter un technicien qualifié.

Décharger toute l'eau dans la pompe à eau et le système d'eau, de sorte qu'il n'y ait pas de gel de l'eau dans la pompe ou le système d'eau. Évacuer l'eau au fond de la pompe à eau si l'appareil ne sera pas utilisé pendant une période prolongée. Avant la première utilisation, vérifier soigneusement l'appareil et remplir complètement le système d'eau.

Contrôles dans la zone

Avant de commencer à travailler sur des installations contenant des fluides frigorigènes inflammables, des contrôles de sécurité sont nécessaires afin de réduire au minimum le risque d'inflammation. Pour la réparation du système de réfrigération, les précautions suivantes doivent être respectées avant d'effectuer des travaux sur le système.

Procédure de travail

Les travaux doivent être entrepris dans le cadre d'une procédure contrôlée de manière à réduire au minimum le risque qu'un gaz ou une vapeur inflammable soit présent pendant l'exécution des travaux.

Espace de travail général

Tout le personnel d'entretien et les autres personnes travaillant dans la zone locale doivent être informés de la nature des travaux effectués. Les travaux dans des espaces clos doivent être évités. La zone autour de l'espace de travail doit être sectionnée. S'assurer que les conditions à l'intérieur de la zone ont été sécurisées par le contrôle des matières inflammables.

Vérification de la présence de réfrigérant

La zone doit être vérifiée à l'aide d'un détecteur de réfrigérant approprié avant et pendant les travaux, afin de s'assurer que le technicien est conscient des atmosphères potentiellement inflammables. S'assurer que l'équipement de détection des fuites utilisé convient à une utilisation avec des réfrigérants inflammables, c'est-à-dire non étincelants, convenablement scellés ou à sécurité intrinsèque.

Présence d'un extincteur

Si des travaux à chaud doivent être effectués sur l'équipement de réfrigération ou sur toute pièce connexe, l'équipement d'extinction d'incendie approprié doit être à portée de la main. Avoir un extincteur à poudre sèche ou à CO₂ à proximité de la zone de charge.

Aucune source d'inflammation

Il est interdit à toute personne effectuant des travaux relatifs à un système de réfrigération qui comportent l'exposition d'une tuyauterie contenant ou ayant contenu un réfrigérant inflammable d'utiliser des sources d'inflammation de manière à ce qu'elles puissent entraîner un risque d'incendie ou d'explosion. Toutes les sources d'inflammation possibles, y compris fumée de la cigarette, doivent être tenues suffisamment éloignées du lieu d'installation, de réparation, d'enlèvement et d'élimination, au cours duquel le réfrigérant inflammable peut éventuellement être libéré dans l'espace environnant. Avant le début des travaux, il faut inspecter la zone autour de l'équipement pour s'assurer qu'il n'y a pas de risques d'inflammabilité ou d'inflammation. Des panneaux « Défense de fumer » doivent être affichés.

Zone ventilée

S'assurer que la zone est à l'air libre ou qu'elle est suffisamment ventilée avant de pénétrer dans le système ou d'effectuer tout travail à chaud. Un certain degré de ventilation sera maintenu pendant la durée des travaux. La ventilation doit disperser en toute sécurité tout fluide frigorigène libéré et, de préférence, l'expulser à l'extérieur dans l'atmosphère.

Contrôles de l'équipement frigorifique

Lorsque des composants électriques sont changés, ils doivent être adaptés à l'usage auquel ils sont destinés et aux spécifications correctes. En tout temps, les directives d'entretien et de service du fabricant doivent être respectées. En cas de doute, consulter le service technique du fabricant pour obtenir de l'aide.

Les contrôles suivants sont appliqués aux installations utilisant des réfrigérants inflammables : La taille de la charge dépend de la taille de la pièce dans laquelle les pièces contenant le fluide frigorigène sont installées ;

Les machines et les sorties de ventilation fonctionnent correctement et ne sont pas obstruées ; Si un circuit frigorifique indirect est utilisé, la présence de réfrigérant doit être vérifiée dans le circuit secondaire ; Le marquage sur l'équipement reste visible et lisible. Les marquages et signes illisibles doivent être corrigés ; Les tuyaux ou composants de réfrigération sont installés dans une position où il est peu probable qu'ils soient exposés à une substance susceptible de corroder les composants contenant du réfrigérant, à moins que les composants ne soient fabriqués dans des matériaux intrinsèquement résistants à la corrosion ou convenablement protégés contre cette corrosion.

Contrôles des appareils électriques

La réparation et l'entretien des composants électriques doivent comprendre des vérifications de sécurité initiales et des procédures d'inspection des composants. S'il existe un défaut susceptible de compromettre la sécurité, aucune alimentation électrique ne doit être raccordée au circuit tant qu'il n'a pas été détecté. Si le défaut ne peut pas être corrigé immédiatement mais qu'il est nécessaire de poursuivre le fonctionnement, une solution temporaire adéquate doit être utilisée. Ceci doit être signalé au propriétaire de l'équipement afin que toutes les parties en soient informées.

THERMOPOMPE POUR PISCINE TYPE PV

Les contrôles de sécurité initiaux comprennent :

- Que les condensateurs sont déchargés : cela doit être fait d'une manière sûre pour éviter toute possibilité d'étincelles ;
- Qu'aucun composant électrique sous tension ni aucun câblage n'est exposé lors de la charge, de la récupération ou de la purge du système ;
- Qu'il y a continuité de la mise à la terre.

Réparation de composants scellés

- 1) Pendant les réparations des composants scellés, toutes les alimentations électriques doivent être déconnectées de l'équipement sur lequel on travaille avant d'enlever tout couvercle scellé, etc. S'il est absolument nécessaire d'assurer l'alimentation électrique de l'équipement pendant l'entretien, une forme de détection des fuites fonctionnant en permanence doit être installée au point le plus critique pour prévenir d'une situation potentiellement dangereuse.
- 2) Une attention particulière doit être accordée aux points suivants pour s'assurer qu'en travaillant sur les composants électriques, le boîtier ne soit pas modifié de manière à affecter le niveau de protection. Cela comprend les dommages aux câbles, le nombre excessif de connexions, les bornes non conformes aux spécifications d'origine, les dommages aux joints d'étanchéité, le montage incorrect des presse-étoupes, etc.

S'assurer que l'appareil est solidement fixé

S'assurer que les joints ou les matériaux d'étanchéité ne se sont pas dégradés au point qu'ils ne servent plus à empêcher la pénétration d'atmosphères inflammables. Les pièces de rechange doivent se conformer aux spécifications du fabricant.

REMARQUE

L'utilisation d'un scellant au silicone peut nuire à l'efficacité de certains types d'équipement de détection de fuites. Les composants à sécurité intrinsèque n'ont pas besoin d'être isolés avant l'installation.

Réparation de composants à sécurité intrinsèque

Ne pas appliquer de charges inductives permanentes ou de capacité au circuit sans s'assurer que cela ne dépassera pas la tension et le courant autorisés pour l'équipement utilisé. Les composants à sécurité intrinsèque sont les seuls à pouvoir être travaillés en présence d'une atmosphère inflammable. L'appareil d'essai doit être au bon calibre. Remplacez les composants uniquement par des pièces spécifiées par le fabricant. D'autres pièces peuvent provoquer l'inflammation du réfrigérant dans l'atmosphère à la suite d'une fuite.

Câblage

Vérifiez que le câblage n'est pas soumis à l'usure, à la corrosion, à une pression excessive, aux vibrations, aux arêtes vives ou à tout autre effet néfaste sur l'environnement. Le contrôle doit également tenir compte des effets du vieillissement ou des vibrations continues provenant de sources telles que les compresseurs ou les ventilateurs.

Détection de fluides frigorigènes inflammables

En aucun cas, des sources potentielles d'inflammation ne doivent être utilisées pour rechercher ou détecter des fuites de réfrigérant. Ne pas utiliser un chalumeau aux halogénures (ou tout autre détecteur utilisant une flamme nue).

Méthodes de détection des fuites

Les méthodes de détection des fuites suivantes sont jugées acceptables pour les systèmes contenant des réfrigérants inflammables. Des détecteurs de fuites électroniques doivent être utilisés pour détecter les réfrigérants inflammables, mais la sensibilité peut ne pas être adéquate ou nécessiter un recalibrage. (L'équipement de détection doit être calibré dans une zone exempte de réfrigérant.) S'assurer que le détecteur n'est pas une source potentielle d'inflammation et qu'il convient au réfrigérant utilisé. L'équipement de détection des fuites doit être réglé à un pourcentage de la LFL du réfrigérant et doit être calibré en fonction du réfrigérant utilisé et le pourcentage approprié de gaz (25 % maximum) est confirmé. Les liquides de détection de fuites conviennent à la plupart des réfrigérants, mais l'utilisation de détergents contenant du chlore doit être évitée car le chlore peut réagir avec le réfrigérant et corroder la tuyauterie en cuivre. Toutes les flammes nues doivent être éliminées/éteintes, si l'on soupçonne une fuite.

Si une fuite de réfrigérant nécessitant un brasage est détectée, tout le réfrigérant doit être récupéré du système ou isolé (au moyen de vannes d'arrêt) dans une partie du système éloignée de la fuite. L'azote exempt d'oxygène (AEO) doit ensuite être purgé à travers le système avant et pendant le processus de brasage.

Enlèvement et évacuation

En cas d'intrusion dans le circuit frigorifique pour effectuer des réparations ou à toute autre fin, les procédures conventionnelles doivent être utilisées. Toutefois, il est important de suivre les meilleures pratiques puisque l'inflammabilité est une considération. La procédure suivante doit être respectée :

- Retirer le réfrigérant ;
- Purger le circuit avec un gaz inerte ;
- Évacuez les lieux ;
- Purger à nouveau avec un gaz inerte ;
- Ouvrir le circuit en coupant ou en brasant.

La charge de réfrigérant doit être récupérée dans les bouteilles de récupération appropriées. Le système doit être « rincé » avec de l'AEO pour rendre l'appareil sûr. Ce processus peut devoir être répété plusieurs fois. Pour cette tâche, ne pas utiliser l'air comprimé ou l'oxygène. Le rinçage doit être réalisé en rompant le vide dans le système avec de l'AEO et en continuant à remplir jusqu'à ce que la pression de service soit atteinte, puis en évacuant à l'atmosphère, et enfin en réduisant le vide. Ce processus doit être répété jusqu'à ce qu'il n'y ait plus de réfrigérant dans le système. Lorsque la charge AEO finale est utilisée, le système doit être purgé à la pression atmosphérique pour permettre aux travaux d'avoir lieu. Cette opération est absolument vitale pour les opérations de brasage sur la tuyauterie. S'assurer que la sortie de la pompe à vide ne soit pas à proximité de sources d'inflammation et à ce qu'il y ait une ventilation suffisante pour y travailler.

THERMOPOMPE POUR PISCINE TYPE PV

Étiquetage

L'équipement doit porter une étiquette indiquant qu'il a été mis hors service et vidé de son réfrigérant. L'étiquette doit être datée et signée. S'assurer qu'il y a des étiquettes sur l'équipement indiquant qu'il contient un réfrigérant inflammable.

Récupération

Lors de l'enlèvement du réfrigérant d'un système, que ce soit pour l'entretien ou le déclassement, il est recommandé d'enlever tous les réfrigérants de façon sécuritaire. Lors du transfert du réfrigérant dans les bouteilles, s'assurer que seules des bouteilles de récupération de réfrigérant appropriées sont utilisées. S'assurer que le nombre correct de bouteilles pour contenir la charge totale du système est disponible. Toutes les bouteilles à utiliser sont désignées pour le réfrigérant récupéré et étiquetées pour ce réfrigérant (c'est-à-dire des bouteilles spéciales pour la récupération du réfrigérant). Les bouteilles doivent être équipées d'une soupape de surpression et des robinets d'arrêt associés en bon état de marche. Les bouteilles de récupération vides sont évacuées et, si possible, refroidies avant la récupération. L'équipement de récupération doit être en bon état de marche avec un ensemble d'instructions concernant la récupération des réfrigérants inflammables. En outre, un jeu de balances calibrées doit être disponible et en bon état de marche. Les tuyaux doivent être complets et en bon état avec des raccords de sectionnement étanches. Avant d'utiliser la machine de récupération, vérifier qu'elle est en bon état de marche, qu'elle a été correctement entretenue et que tous les composants électriques associés sont scellés pour éviter toute inflammation en cas de dégagement de réfrigérant. Consulter le fabricant en cas de doute. Le réfrigérant récupéré doit être renvoyé au fournisseur de réfrigérant dans la bouteille de récupération appropriée et le bulletin de transfert de déchets correspondant doit être disposée. Ne pas mélanger les réfrigérants dans les unités de récupération et surtout pas dans les bouteilles. Si des compresseurs ou des huiles de compresseur doivent être enlevés, s'assurer qu'ils ont été évacués à un niveau acceptable pour s'assurer que le réfrigérant inflammable ne reste pas dans le lubrifiant. Le processus d'évacuation doit être effectué avant de retourner le compresseur aux fournisseurs. Seul le chauffage électrique du corps du compresseur doit être utilisé pour accélérer ce processus. Lorsqu'il faut vidangé le système, cela doit être fait en toute sécurité.

Déclassement

Avant d'effectuer cette procédure, il est essentiel que le technicien maîtrise parfaitement l'équipement et tous ses détails. Il est recommandé de récupérer tous les fluides frigorigènes en toute sécurité. Avant de commencer, un échantillon d'huile et de réfrigérant doit être prélevé au cas où une analyse serait nécessaire avant la réutilisation du réfrigérant récupéré.

Il est essentiel que l'alimentation électrique soit disponible avant le début de la tâche

- Se familiariser avec l'équipement et son fonctionnement.
- Isoler électriquement le système.

- Avant de tenter la procédure, assurez-vous que :
 - Un équipement de manutention mécanique est disponible, au besoin, pour la manutention des bouteilles de réfrigérant ;
 - Tous les équipements de protection individuelle sont disponibles et utilisés correctement ;
 - Le processus de récupération est supervisé en tout temps par une personne compétente ;
 - L'équipement et les bouteilles de récupération sont conformes aux normes appropriées.
- Si possible, vidanger le circuit frigorifique.
- S'il n'est pas possible d'obtenir un vide, installer un collecteur de manière à ce que le fluide frigorigène puisse être évacué des différentes parties de l'installation.
- S'assurer que la bouteille est située sur la balance avant de procéder à la récupération.
- Démarrer la machine de récupération et la faire fonctionner conformément aux instructions du fabricant.
- Ne pas trop remplir les bouteilles (Pas plus de 80 % de charge liquide en volume).
- Ne pas dépasser la pression de service maximale de la bouteille, même temporairement.
- Lorsque les bouteilles ont été remplies correctement et que le processus est terminé, s'assurer que les bouteilles et l'équipement sont retirés du site rapidement et que toutes les vannes d'isolation de l'équipement sont fermées.
- Le réfrigérant récupéré ne doit pas être chargé dans un autre système de réfrigération sans avoir été nettoyé et vérifié.

Procédures de charge

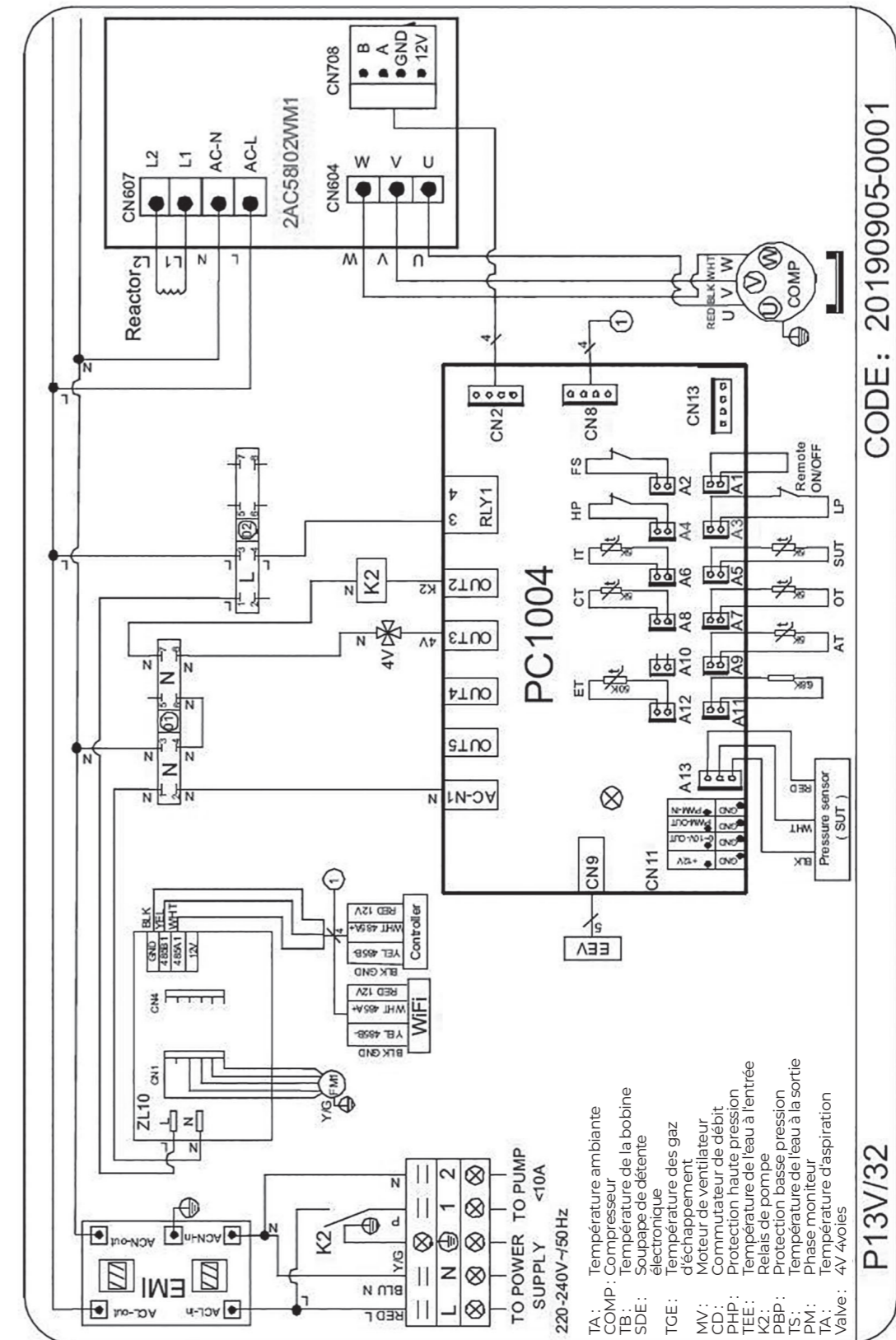
- En plus des procédures de charge conventionnelles, les exigences suivantes doivent être respectées.
- Veillez à ce qu'il n'y ait pas de contamination des différents réfrigérants lors de l'utilisation de l'équipement de charge. Les tuyaux ou conduites doivent être aussi courts que possible pour réduire au minimum la quantité de réfrigérant qu'ils contiennent.
 - Maintenir les bouteilles en position verticale.
 - S'assurer que le système de réfrigération est mis à la terre avant de le charger de réfrigérant.
 - Marquez le système lorsque la charge est terminée (si ce n'est pas déjà fait).
 - Faire très attention de ne pas trop remplir le système de réfrigération. Avant de recharger le système, il doit être soumis à un test de pression avec l'AEO. Le système doit faire l'objet d'un test d'étanchéité à la fin de la charge, mais avant la mise en service. Un test d'étanchéité de suivi doit être effectué avant de quitter le site.

Le modèle de câble de sécurité est de 5*20_5A/250VAC. Et doit répondre aux exigences antidéflagrantes

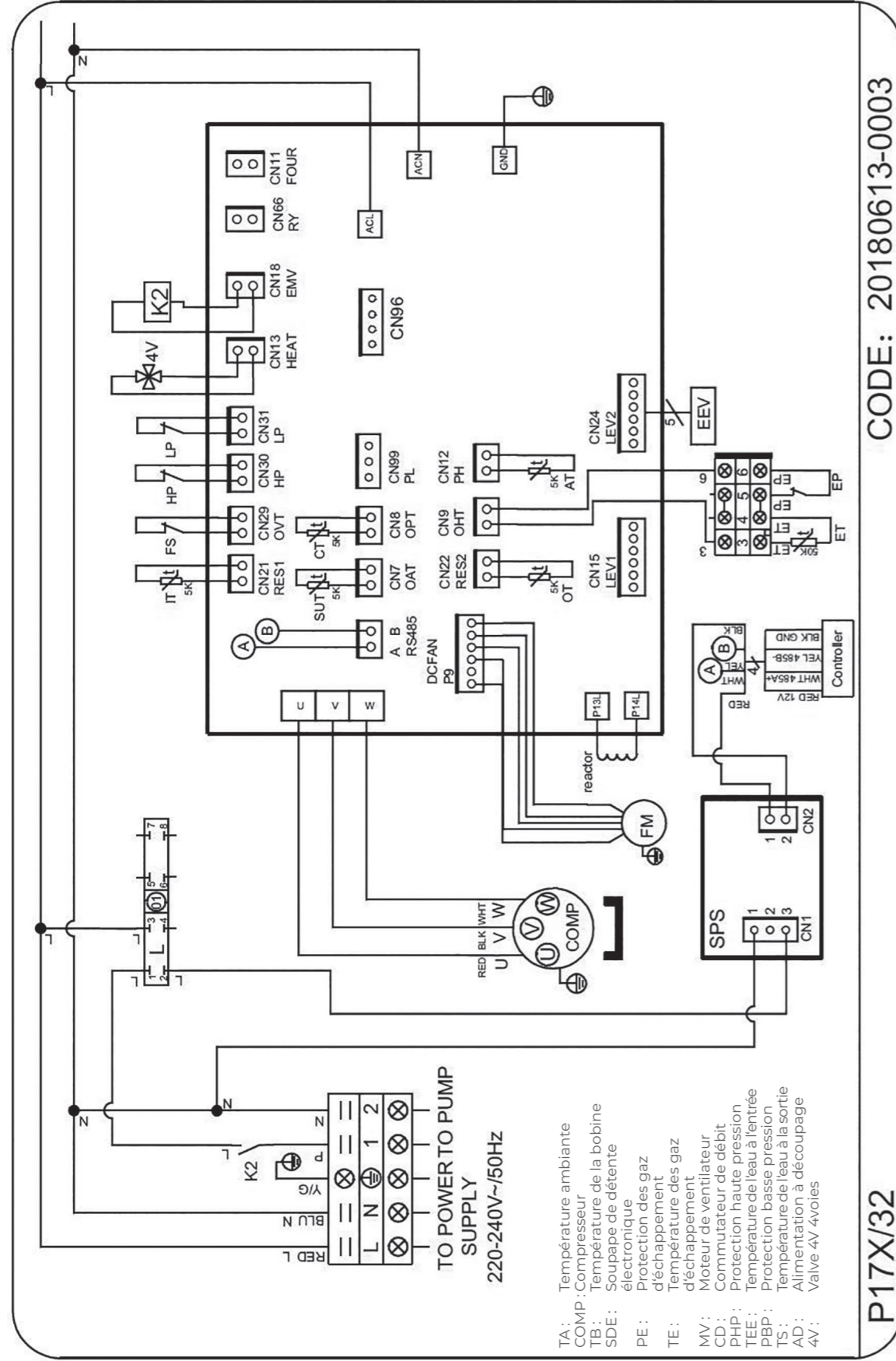
THERMOPOMPE POUR PISCINE TYPE PV

6. APPENDIX

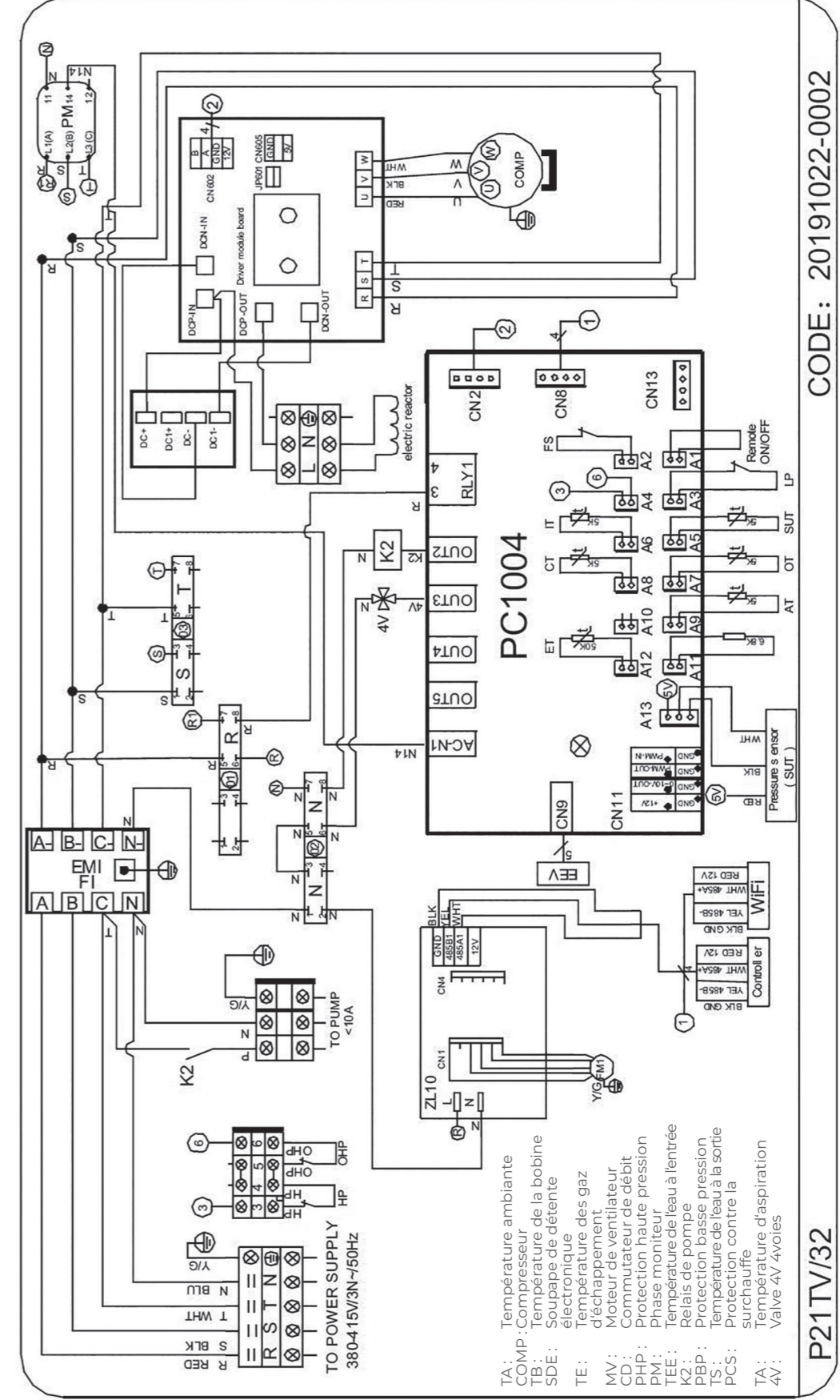
6.1 CIRCUIT DIAGRAM



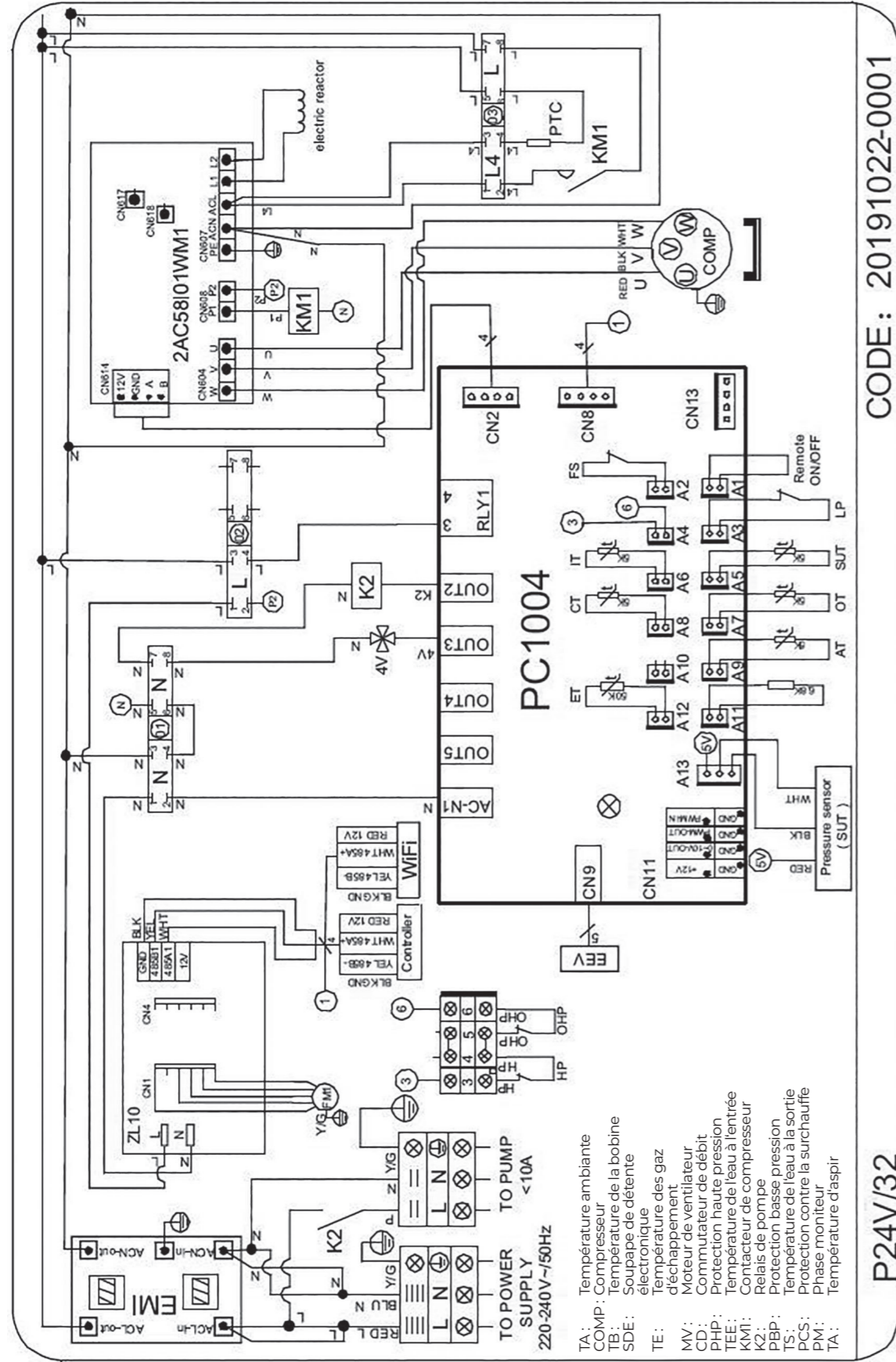
THERMOPOMPE POUR PISCINE TYPE PV



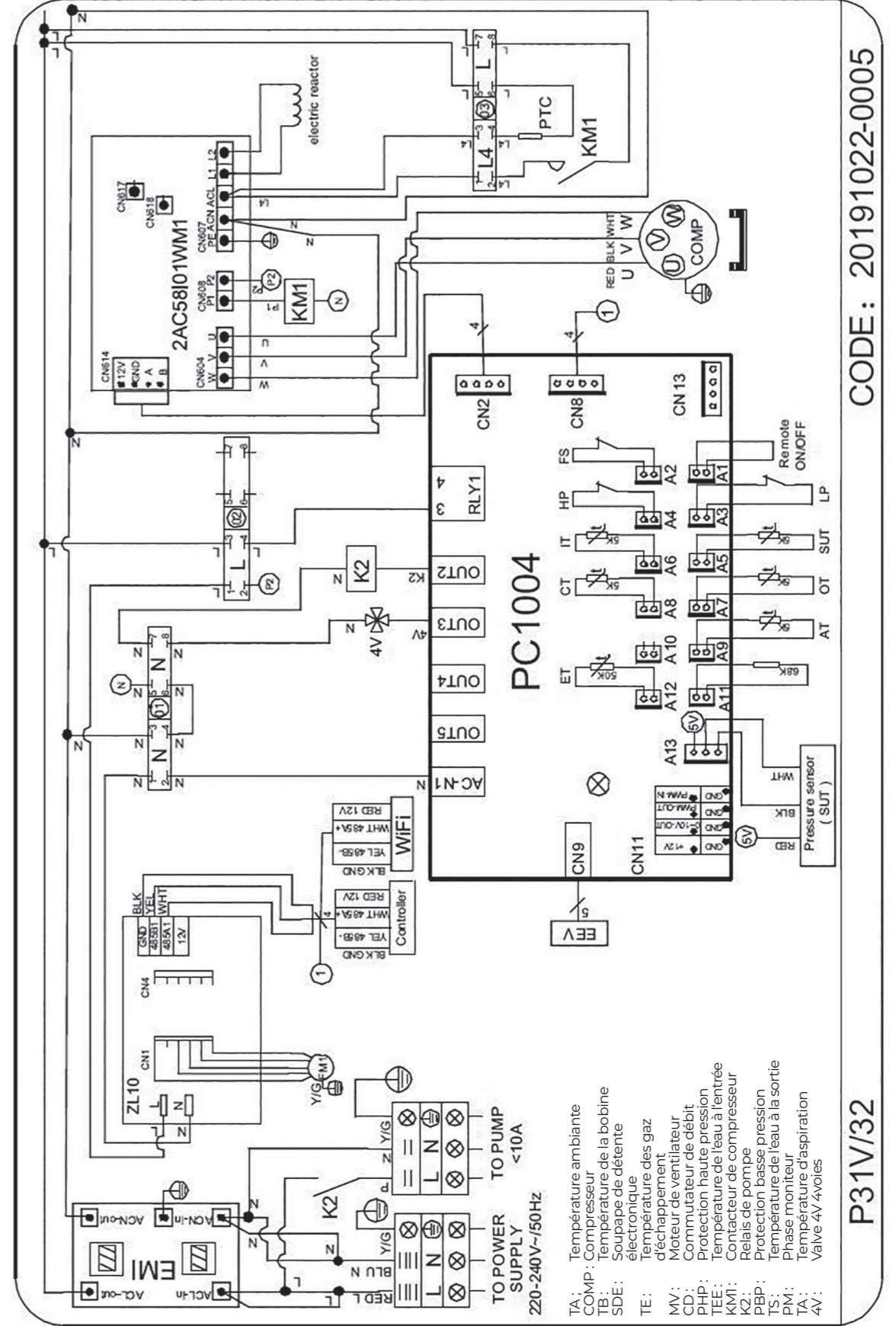
THERMOPOMPE POUR PISCINE TYPE PV



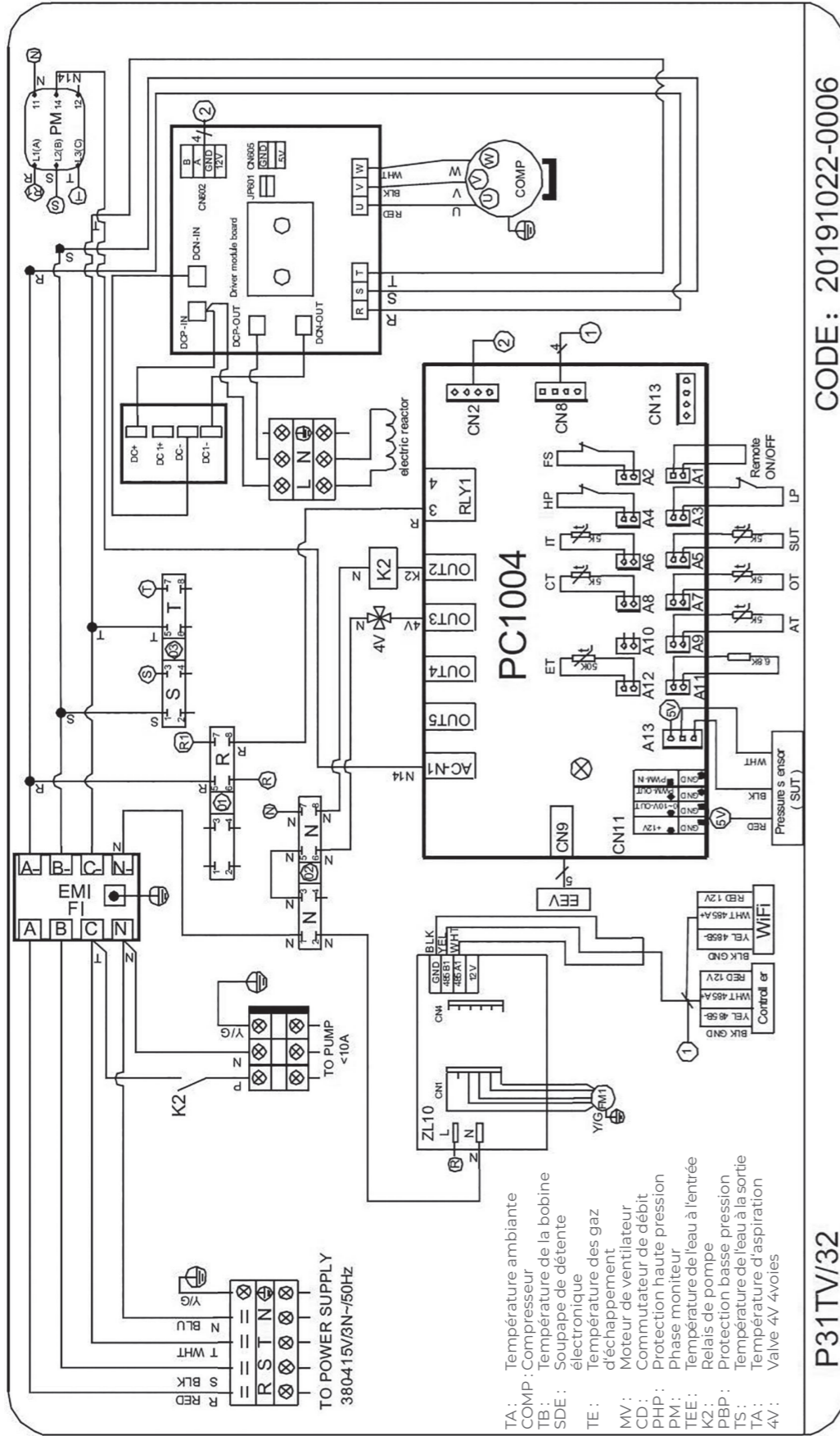
THERMOPOMPE POUR PISCINE TYPE PV



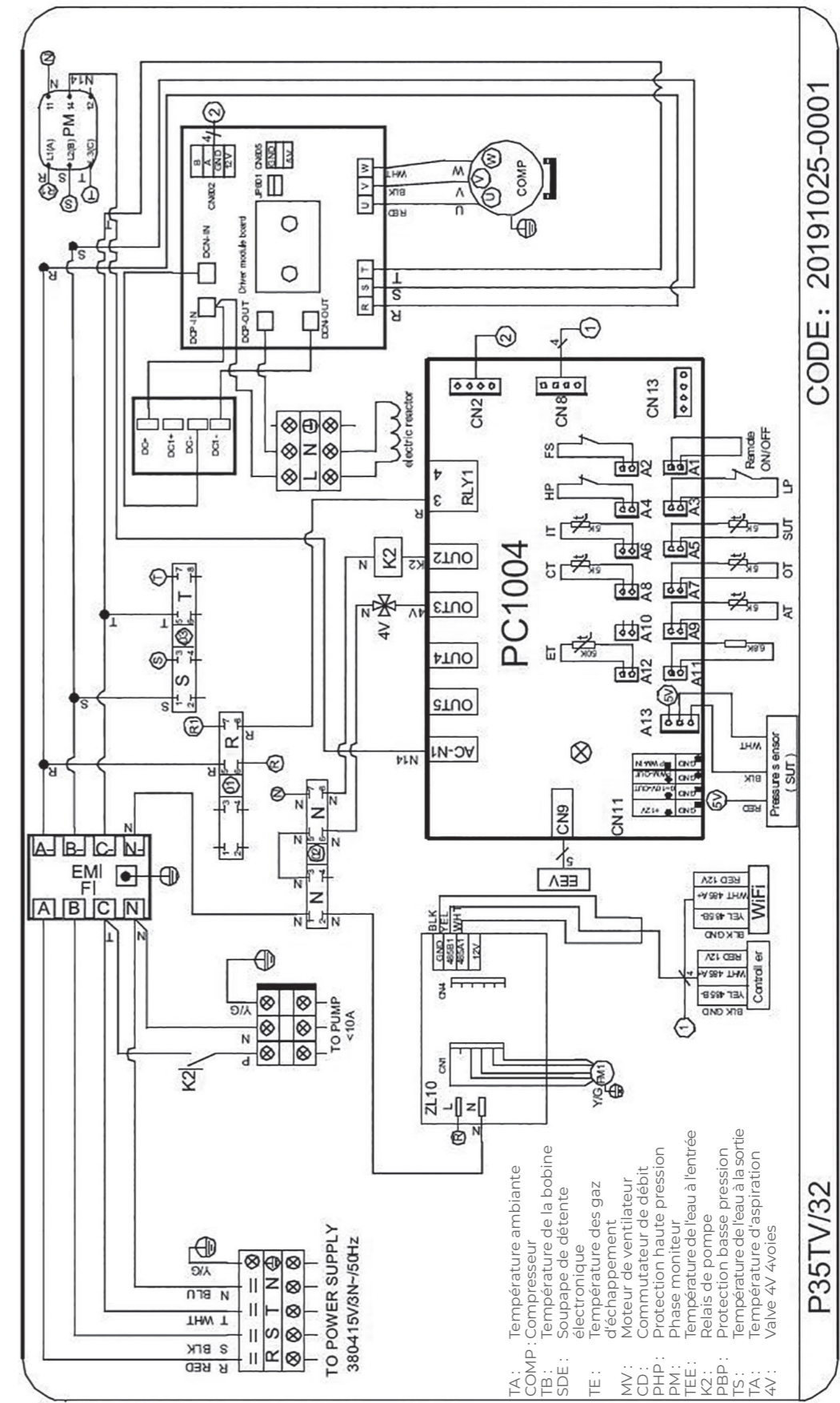
THERMOPOMPE POUR PISCINE TYPE PV



THERMOPOMPE POUR PISCINE TYPE PV



THERMOPOMPE POUR PISCINE TYPE PV



THERMOPOMPE POUR PISCINE TYPE PV

6.2 CARACTÉRISTIQUES DES CÂBLES

(1) Unité monophasée

Courant maximal de la plaque signalétique	Ligne de phase	Ligne de terre	DISJONCT EUR	Protecteur de lignes de fuite	Ligne de signal
Pas plus de 10A	2×1.5mm ²	1.5mm ²	20A	30mA moins de 0.1 sec	n×0.5mm ²
10~16A	2×2.5mm ²	2.5mm ²	32A	30mA moins de 0.1 sec	
16~25A	2×4mm ²	4mm ²	40A	30mA moins de 0.1 sec	
25~32A	2×6mm ²	6mm ²	40A	30mA moins de 0.1 sec	
32~40A	2×10mm ²	10mm ²	63A	30mA moins de 0.1 sec	
40 ~63A	2×16mm ²	16mm ²	80A	30mA moins de 0.1 sec	
63~75A	2×25mm ²	25mm ²	100A	30mA moins de 0.1 sec	
75~101A	2×25mm ²	25mm ²	125A	30mA moins de 0.1 sec	
101~123A	2×35mm ²	35mm ²	160A	30mA moins de 0.1 sec	
123~148A	2×50mm ²	50mm ²	225A	30mA moins de 0.1 sec	
148~186A	2×70mm ²	70mm ²	250A	30mA moins de 0.1 sec	
186~224A	2×95mm ²	95mm ²	280A	30mA moins de 0.1 sec	

(2) Three phase unit

Courant maximal de la plaque signalétique	Ligne de phase	Ligne de terre	DISJONCT EUR	Protecteur de lignes de fuite	Ligne de signal
Pas plus de 10A	3×1.5mm ²	1.5mm ²	20A	30mA moins de 0.1 sec	n×0.5mm ²
10~16A	3×2.5mm ²	2.5mm ²	32A	30mA moins de 0.1 sec	
16~25A	3×4mm ²	4mm ²	40A	30mA moins de 0.1 sec	
25~32A	3×6mm ²	6mm ²	40A	30mA moins de 0.1 sec	
32~40A	3×10mm ²	10mm ²	63A	30mA moins de 0.1 sec	
40 ~63A	3×16mm ²	16mm ²	80A	30mA moins de 0.1 sec	
63~75A	3×25mm ²	25mm ²	100A	30mA moins de 0.1 sec	
75~101A	3×25mm ²	25mm ²	125A	30mA moins de 0.1 sec	
101~123A	3×35mm ²	35mm ²	160A	30mA moins de 0.1 sec	
123~148A	3×50mm ²	50mm ²	225A	30mA moins de 0.1 sec	
148~186A	3×70mm ²	70mm ²	250A	30mA moins de 0.1 sec	
186~224A	3×95mm ²	95mm ²	280A	30mA moins de 0.1 sec	

Lorsque l'appareil est installé à l'extérieur, veiller utiliser le câble pouvant résister aux UV.

6.3 TABLEAU COMPARATIF DE LA TEMPÉRATURE DE SATURATION DU RÉFRIGÉRANT

Pression (MPa)	0	0.3	0.5	0.8	1	1.3	1.5	1.8	2	2.3
Température (R410A)(°C)	-51.3	-20	-9	4	11	19	24	31	35	39
Température (R32)(°C)	-52.5	-20	-9	3.5	10	18	23	29.5	33.3	38.7
Pression (MPa)	2.5	2.8	3	3.3	3.5	3.8	4	4.5	5	5.5
Température (R410A)(°C)	43	47	51	55	57	61	64	70	74	80
Température (R32)(°C)	42	46.5	49.5	53.5	56	60	62	67.5	72.5	77.4



REMARQUES

INDHOLD

1. FORORD	142
2. SPECIFIKATIONER	144
2.1 Ydeevnedata for pumpeenhed til opvarmning af swimmingpool	144
2.2 Mål for pumpeenhed til opvarmning af swimmingpool	148
3. INSTALLATION OG TILSLUTNING	149
3.1 Installationsillustration	149
3.2 Placering af rørføring til varmepumpe til swimmingpools	150
3.3 Hvor tæt på din swimmingpool?	150
3.4 Rørføring til varmepumpe til swimmingpools	150
3.5 Ledning af elektricitet til varmepumpe til swimmingpools	151
3.6 Indledende opstart af enheden	151
4. BETJENING OG BRUG	152
4.1 Introduktion til farveskærmens kablede styregrænseflade	152
4.2 Introduktion til farveskærmens kablede styring	152
4.3 Parameterliste og nedbrudstabel	156
4.4 Skitsering af grænseflade	158
5. VEDLIGEHOLDELSE OG INSPEKTION	162
6. APPENDIX	165
6.1 Circuit diagram	165
6.2 Kabelspecifikation	172
6.3 Sammenligningstabel over kølemidlets mætningstemperatur	172

Fejl og tekniske ændringer med forbehold for ændringer, reproduktion såvel som elektronisk duplikering kun med vores skriftlige tilladelse.

© NORSUP

Udgave: 11.2020

DEL NR.	TYPE		
7026965	P13V/32	7026970	P24TV/32
7026966	P17V/32	7026971	P31V/32
7026967	P21V/32	7026972	P31TV/32
7026968	P21TV/32	7026973	P35V/32
7026969	P24V/32	7026974	P35TV/32

VARMEPUMP TIL SWIMMINGPOOL TYPE PV

1. FORORD

Med henblik på at give vores kunder kvalitet, pålidelighed og alsidighed er dette produkt blevet fremstillet i overensstemmelse med strenge produktionsstandarder. Denne manual omfatter alle nødvendige oplysninger om installation, fejlfinding, tømning og vedligeholdelse. Læs denne manual omhyggeligt, før du åbner eller vedligeholder enheden. Producenten kan ikke holdes ansvarlig, hvis nogen kvæstes, eller enheden beskadiges, som resultat af ukorrekt installation, fejlfinding eller ukorrekt vedligeholdelse. Det er vigtigt, at instruktionerne i denne manual altid overholdes. Enheden skal installeres af en fagperson.

Enheden må kun repareres af et kvalificeret installationscenter, personale eller af en autoriseret forhandler.

Vedligeholdelse og drift må kun udføres i overensstemmelse med de anbefalede tidspunkter og frekvenser som anført i denne manual.

Benyt kun ægte standardreservedele. Manglende overholdelse af disse anbefalinger ugyldiggør garantien.

Varmepumpeenheten til swimmingpool opvarmer vandet i swimmingpoolen og fastholder temperaturen. Til splittypenheder. Indedelen kan gemmes diskret eller gemmes delvist i et luksushus. Vores varmepumpe har følgende karakteristika:

1 Holdbar

Varmeveksleren er fremstillet af et rør i PVC og titanium, som kan modstå længere tids eksponering over for swimmingpoolvand.

2 Installationsfleksibilitet

Enheden kan installeres udendørs eller indendørs.

3 Tavs drift

Enheden består af en effektiv rotations rullekompressor og en ventilatormotor med lavt støjniveau, hvilket garanterer tavs drift.

4 Avanceret kontrol

Enheden omfatter mikrocomputerstyring, hvilket gør det muligt at indstille alle driftsparametre. Driftsstatus kan vises på LCD-kabelcontrolleren. Fjernbetjeningen kan vælges som fremtidigt ekstraudstyr.

ADVARSEL

Det anbefales, at din poolfiltreringspumpe og din varmepumpe kables uafhængigt. Tilslutning af din eksisterende pumpe til varmepumpen vil resultere i, at filtreringen overskiftes, når vandet fra swimmingpoolen når temperaturen. Led kun swimmingpoolpumpen igennem varmepumpen, hvis du har en swimmingpoolpumpe til opvarmning, som er uafhængig af dit system til filtrering af swimmingpoolen. Forsøg ikke på at fremskynde afrydnings- eller rengøringsprocessen på andre måder end som anbefalet af producenten. Apparatet skal opbevares i et lokale uden antændelseskilder i kontinuerlig drift (f.eks. åben ild, gasapparat i drift eller elektrisk varmeapparat). Undgå punktering eller afbrænding. Vær opmærksom på, at kølemidler ikke altid afgiver lugt. Apparatet skal installeres, betjenes og opbevares i et lokale med et overfladeareal, som overstiger X m².

BEMÆRK

Producenten kan levere andre passende eksempler eller yderligere oplysninger om kølemidlets lugt.

• Dette apparat kan bruges af børn, som er mindst 8 år gamle, og af personer med reducerede fysiske, sansemæssige eller mentale evner eller personer med manglende erfaring eller viden, medmindre brug sker under opsyn eller efter vejledning i brug af apparatet. Børn må ikke lege med apparatet. Rengøring og vedligeholdelse af brugeren må ikke finde sted af børn uden overvågning.

• Hvis strømledningen bliver beskadiget, skal den udskiftes af producenten, dennes agent eller lignende fagpersonale, med henblik på at forebygge farer.

• Apparatet skal installeres i overensstemmelse med nationale bestemmelser vedr. kabling.

• Undgå at betjene airconditionapparatet i et vådrum såsom et badeværelse eller et bryggers.

• Får du opnår adgang til terminaler, skal alle strømførende kredsløb afbrydes.

VARMEPUMP TIL SWIMMINGPOOL TYPE PV

• En allepolet afbryderenhed, som har mindst 3 mm frirum i alle poler, og som har en lækstrøm, som kan overstige 10 mA, og hvor reststrømenheden (RCD) har en normeret restdriftsstrøm, som ikke overskrider 30 mA, skal sikres, ligesom den skal integreres en afbryder i overensstemmelse med kablingsreglerne.

• Forsøg ikke på at fremskynde afrydnings- eller rengøringsprocessen på andre måder end som anbefalet af producenten.

• Apparatet skal opbevares i et lokale uden antændelseskilder i kontinuerlig drift (f.eks. åben ild, gasapparat i drift eller elektrisk varmeapparat).

• Undgå punktering eller afbrænding.

• Apparatet skal installeres, betjenes og opbevares i et lokale med et overfladeareal, som overstiger X m² Vær opmærksom på, at kølemidler ikke altid afgiver lugt. Installationen af rørføringen skal holdes på et minimum. Områder, hvor der befinder sig kølerørledninger, skal være i overensstemmelse med nationale bestemmelser for gasanvendelse. Servicering må kun udføres som anbefalet af producenten. Apparatet skal opbevares i et velventileret område, hvor lokalets størrelse passer til de pågældende driftsdata. Alle driftsprocedurer, der påvirker sikkerhedstiltag, må alene udføres af fagpersonale.

• Transport af udstyr indeholdende kølemidler Overensstemmelse med transportregulativer Mærkning af udstyr, som gør brug af skiltning Overensstemmelse med lokale bestemmelser Kassering af udstyr, som gør brug af letantændelige kølemidler Overensstemmelse med nationale bestemmelser Opbevaring af udstyr/apparater Opbevaring af udstyr skal foregå i overensstemmelse med producentens anvisninger. Opbevaring af emballeret (ikke-afhændet) udstyr Beskyttende emballage skal fremstilles således, at mekaniske skader på udstyret inde i emballagen ikke forårsager lækage af kølemidlet. Det maksimale antal stykker udstyr, som må opbevares sammen, bestemmes af lokale regulativer.

FORSIGTIGHEDSTILTAG OG ADVARSLER

1. Enheden må kun repareres af et kvalificeret installationscenter, personale eller af en autoriseret forhandler. (Markeder i Europa)
2. Dette apparat er ikke beregnet til brug af personer (herunder børn) med reducerede fysiske, sansemæssige eller mentale evner eller manglende erfaring og viden, medmindre disse personer har været overvåget eller modtaget instruktioner i forhold til brug af apparatet af en person med ansvar for deres sikkerhed. (Markeder i Europa) Børn skal overvåges med henblik på at sikre, at de ikke leger med apparatet.
3. Sørg for, at enheden og strømforsyningen har passende jordning. I modsat fald er der fare for elektrisk stød.
4. Hvis strømledningen bliver beskadiget, skal den udskiftes af producenten, dennes agent eller lignende fagpersonale, med henblik på at forebygge farer.
5. Direktiv 2002/96/EC (WEEE): Symbolet med en overstregt affaldsspand under apparatet betyder, at dette produkt – når det er udtjent – skal kasseres separat i forhold til husholdningsaffald, skal indleveres på en genbrugsplads, eller at produktet skal indleveres hos den forhandler, som oprindeligt har solgt produktet.
6. Direktiv 2002/95/EC (RoHS): Dette produkt er i overensstemmelse med direktiv 2002/95/EC (RoHS) vedr. begrænsninger for brug af skadelige emner i elektriske elektroniske enheder.
7. Enheden MÅ IKKE installeres i nærheden af letantændelig gas. Der kan opstå brand i tilfælde af gaslækage.
8. Sørg for, at der er en kredsløbsafbryder til stede. I modsat fald kan der opstå risiko for elektrisk stød eller brand.
9. Varmepumpen, der befinder sig inden i enheden, udstyret med et system til beskyttelse imod overbelastning. Den muliggør ikke opstart af enheden i mindst 3 minutter regnet fra et tidligere stop.
10. Enheden må kun repareres af kvalificeret personale eller af en autoriseret forhandler. (For nordamerikanske markeder)
11. Installation må kun udføres i overensstemmelse med NEC/CEC og af autoriseret personale. (For nordamerikanske markeder)
12. BENYT FORSYNINGSLEDNINGER, DER EGNER SIG TIL BRUG OVER 75°C.
13. Forsigtig: enkelt vægvarmeveksler – ikke egnet til tilslutning til postevand.

VARMEPUMP TIL SWIMMINGPOOL TYPE PV

2. SPECIFIKATIONER

2.1 YDEEVNEDATA FOR PUMPEENHED TIL OPVARMNING AF SWIMMINGPOOL

*** KØLEMIDDEL: R32

ENHED		P13V/32	P17V/32	P21V/32
Delnr.		7026965	7026966	7026967
Varmekapacitet (A27/W26)	kW	3.7-13.5	3.4-17.0	6.2-21.3
	Btu/h	12580-45900	11560-57800	21080-72420
COP		13.4-3.7	13.0-6.6	15.6-7.3
Varmekapacitet (A15/W26)	kW	2.7-10.0	2.7-12.7	6.5-16.3
	Btu/h	9180-34000	9180-43180	22100-55420
COP		6.2-5.0	6.8-5.0	7.0-5.4
Varmeeffektinput	kW	0.23-2.9	0.31-3.54	0.43-4.55
Strømforsyning		220-240V /50Hz	220-240V /50Hz	220-240V /50Hz
Kompressorkvalitet		1	1	1
Kompressor		roterende	roterende	roterende
Ventilatorantal		1	1	1
Støj	dB(A)	44-54	46-56	48-56
Vandtilslutning	mm	50	50	50
Vandgennemstrømningsvolumen	m ³ /h	4.2	5.5	7
Vandtrykfald (maks.)	kPa	5	9	16
Enhedsnettomål (L/B/H)	mm	Se tegningerne af enhederne		
Enhedsforsendelsesmål (L/B/H)	mm	Se etiketten på pakken		
Nettovægt	kg	se mærkeplade		
Forsendelsesvægt	kg	Se emballageetiket		

Heating:

Outdoor air temp: 27°C/24.3°C, Inlet water temp: 26°C
Outdoor air temp: 15°C/12°C, Inlet water temp: 26°C

Operating range:

Ambient temperature: -15-43°C
Water temperature: 9-40°C

VARMEPUMP TIL SWIMMINGPOOL TYPE PV

*** KØLEMIDDEL: R32

ENHED		P21TV/32	P24V/32	P24TV/32
Delnr.		7026968	7026969	7026970
Varmekapacitet (A27/W26)	kW	6.3-21.1	5.6-24.9	5.5-24.3
	Btu/h	21420-71740	19040-84600	18700-82620
COP		14.8-7.6	15.2-6.4	14.2-6.6
Varmekapacitet (A15/W26)	kW	4.5-16.3	4.4-18.7	4.1-18.8
	Btu/h	15300-55420	14960-63580	13940-63920
COP		7.4-5.6	7.1-5.1	7.1-5.1
Varmeeffektinput	kW	0.43-5.2	0.47-5.3	0.47-5.7
Strømforsyning		380V/3N /50Hz	220-240V /50Hz	380V/3N /50Hz
Kompressorkvalitet		1	1	1
Kompressor		roterende	roterende	roterende
Ventilatorantal		1	1	1
Støj	dB(A)	48-56	50-56	50-56
Vandtilslutning	mm	50	50	50
Vandgennemstrømningsvolumen	m ³ /h	7.1	9.0	9.0
Vandtrykfald (maks.)	kPa	16	16	16
Enhedsnettomål (L/B/H)	mm	Se tegningerne af enhederne		
Enhedsforsendelsesmål (L/B/H)	mm	Se etiketten på pakken		
Nettovægt	kg	se mærkeplade		
Forsendelsesvægt	kg	Se emballageetiket		

Heating:

Outdoor air temp: 27°C/24.3°C, Inlet water temp: 26°C
Outdoor air temp: 15°C/12°C, Inlet water temp: 26°C

Operating range:

Ambient temperature: -15-43°C
Water temperature: 9-40°C

VARMEPUMP TIL SWIMMINGPOOL TYPE PV

*** KØLEMIDDEL: R32

ENHED		P31V/32	P31TV/32	P35TV/32
Delnr.		7026971	7026972	7026974
Varmekapacitet (A27/W26)	kW	8.5-30.6	8.8-31.2	7.8-35.5
	Btu/h	28900-104040	29920-106080	26520-120700
COP		14.3-6.3	15.7-6.1	12.2-5.2
Varmekapacitet (A15/W26)	kW	6.4-23.8	6.5-23.6	6.4-27.5
	Btu/h	21760-80920	22100-80240	21080-93500
COP		7.8-5.0	8.2-5.0	6.8-4.1
Varmeeffektinput	kW	0.53-7.0	0.55-7.0	0.66-8.95
Strømforsyning		220-240V/50Hz	380V/3N /50Hz	220-240V /50Hz
Kompressorkvalitet		1	1	1
Kompressor		roterende	roterende	roterende
Ventilatorantal		1	1	1
Støj	dB(A)	50-57	50-57	53-59
Vandtilslutning	mm	50	50	50
Vandgennemstrømningsvolumen	m ³ /h	12.5	12.5	14.6
Vandtrykfald (maks.)	kPa	23	23	23
Enhedsnettomål (L/B/H)	mm	Se tegningerne af enhederne		
Enhedsforsendelsesmål (L/B/H)	mm	Se etiketten på pakken		
Nettovægt	kg	se mærkeplade		
Forsendelsesvægt	kg	Se emballageetiket		

Heating:

Outdoor air temp: 27°C/24.3°C, Inlet water temp: 26°C
Outdoor air temp: 15°C/12°C, Inlet water temp: 26°C

Operating range:

Ambient temperature: -15-43°C
Water temperature: 9-40°C

VARMEPUMP TIL SWIMMINGPOOL TYPE PV

*** KØLEMIDDEL: R32

ENHED		P35V/32
Delnr.		7026973
Varmekapacitet (A27/W26)	kW	7.1-35.0
	Btu/h	24140-119000
COP		11.4-5.1
Varmekapacitet (A15/W26)	kW	6.4-27.5
	Btu/h	21760-93500
COP		6.5-4.1
Varmeeffektinput	kW	0.64-8.6
Strømforsyning		220-240V /50Hz
Kompressorkvalitet		1
Kompressor		roterende
Ventilatorantal		1
Støj	dB(A)	53-59
Vandtilslutning	mm	50
Vandgennemstrømningsvolumen	m ³ /h	14.6
Vandtrykfald (maks.)	kPa	23
Enhedsnettomål (L/B/H)	mm	Se tegningerne af enhederne
Enhedsforsendelsesmål (L/B/H)	mm	Se etiketten på pakken
Nettovægt	kg	se mærkeplade
Forsendelsesvægt	kg	Se emballageetiket

Heating:

Outdoor air temp: 27°C/24.3°C, Inlet water temp: 26°C
Outdoor air temp: 15°C/12°C, Inlet water temp: 26°C

Operating range:

Ambient temperature: -15-43°C
Water temperature: 9-40°C

EN

NL

DE

FR

DK

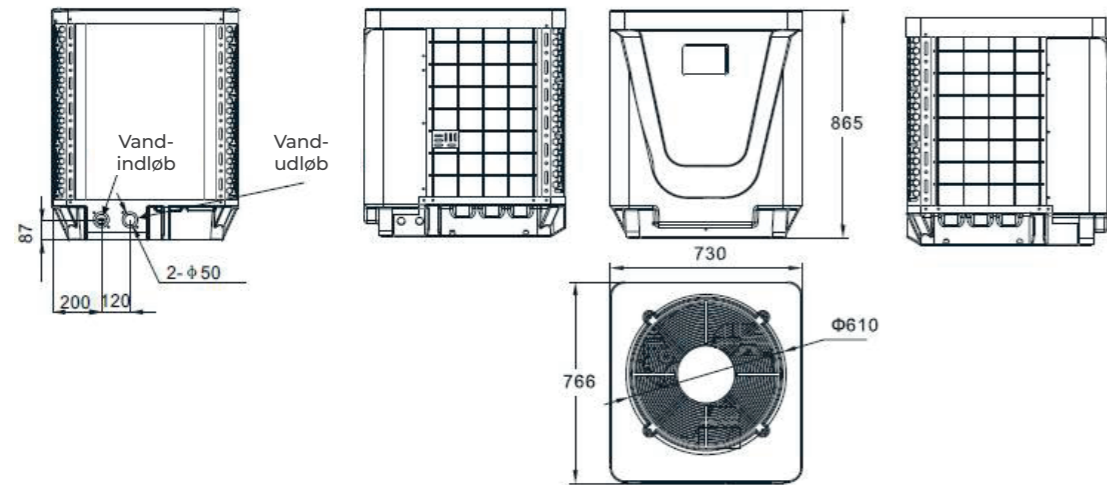
SE

VARMEPUMP TIL SWIMMINGPOOL TYPE PV

2.2 MÅL FOR PUMPEENHED TIL OPVARMNING AF SWIMMINGPOOL

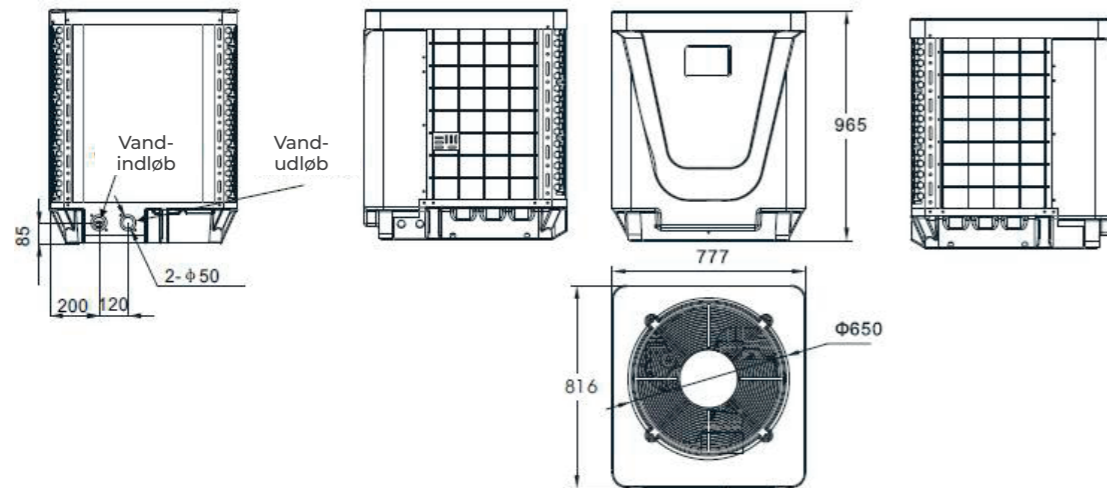
Enhed: P13V/32 /P17V/32

Enhed mm



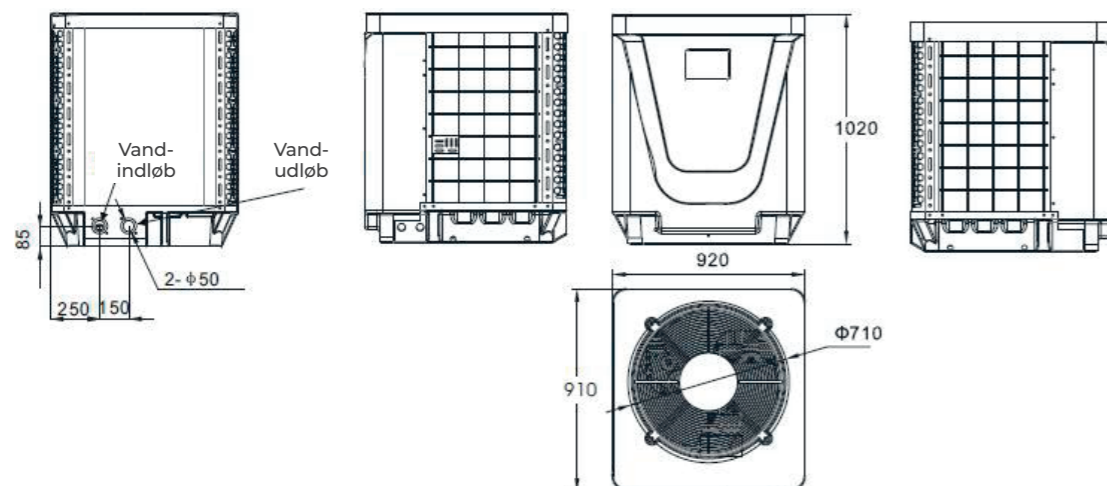
Enhed: P21V/32 /P21TV/32/P24V/32 /P24TV/32

Enhed mm



Enhed: P31V/32 /P31TV/32/P35V/32/P35TV/32

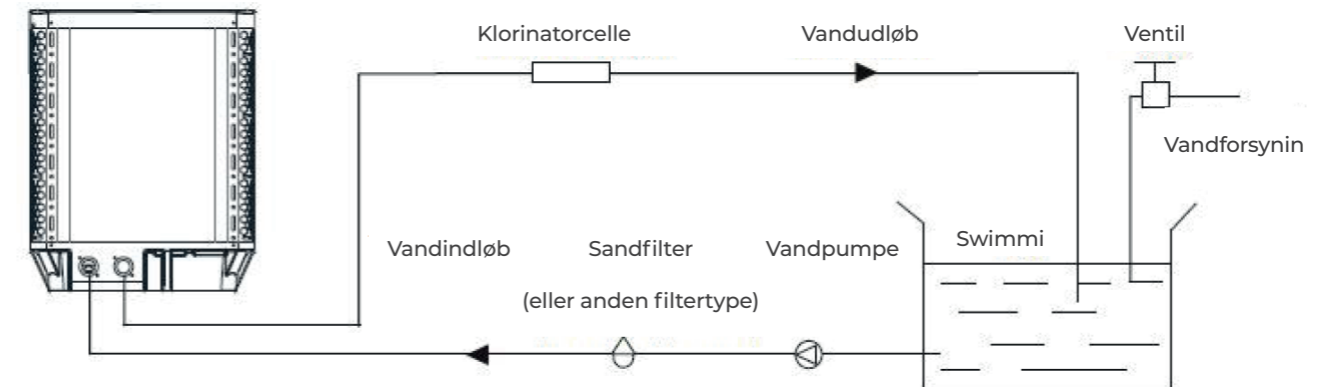
Enhed mm



VARMEPUMP TIL SWIMMINGPOOL TYPE PV

3. INSTALLATION OG TILSLUTNING

3.1 INSTALLATIONSILLUSTRATION



Installationselementer

Fabrikken tilvejebringer kun hovedenheden og vandenheden. De øvrige dele i illustrationen er nødvendige reservedele til vandsystemet, som tilvejebringes af brugeren eller installatøren.

BEMÆRK:



Følg disse trin ved brug første gang

1. Åbn ventilen, og aftap vandet.
2. Sørg for, at pumpen og indløbsvandrøret er fyldt med vand.
3. Luk ventilen, og start enheden.

BEMÆRK

Vandindløbsrøret skal befinde sig højere end swimmingpoolens overflade.

Det skematiske diagram er kun vejledende. Kontroller etiketten til vandindløb/-udløb på varmepumpen i forbindelse med installation.

Controlleren er monteret på væggen.

VARMEPUMP TIL SWIMMINGPOOL TYPE PV

3.2 PLACERING AF RØRFØRING TIL VARMEPUMPE TIL SWIMMINGPOOLS

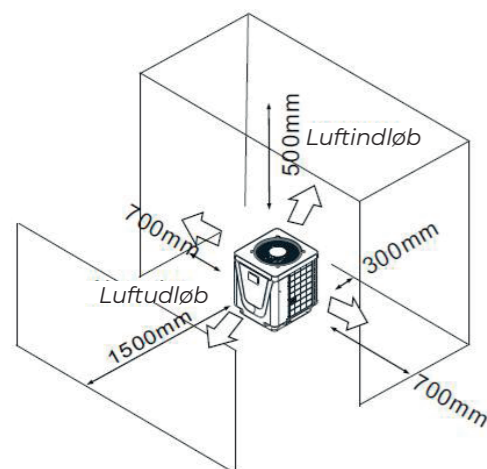
Enheden arbejder bedst udendørs, forudsat at tre af følgende faktorer er til stede:

1. Frisk luft - 2. Elektricitet - 3. Poolfilterrørføring

Enheden kan installere stort set overalt udendørs. Indendørs swimmingpools: Kontakt venligst forhandleren. Til forskel fra en gasvarmer har produktet ikke problemer træk eller startantænding i områder med kraftig vind.

UNDGÅ at placere enheden i et lukket område med begrænset luftvolumen, hvor enheder uleder luft, og hvor luft recirkuleres.

PLACER IKKE enheden på noget, der kan blokere for luftindløbet. Disse placeringer gør det umuligt for enheden at opnå en konstant forsyning af frisk luft og kan forhindre tilstrækkelig varmelevering.



3.3 HVOR TÆT PÅ DIN SWIMMINGPOOL?

Normalt skal swimmingpoolens varmepumpe installeres inden for 7,5 meter af swimmingpoolen. Jo længere afstanden er til swimmingpoolen, desto større er varmetabet fra rørføringen. Rørføringen graves for det meste ned. Af samme årsag er varmetabet minimalt for udlægninger op til 15 meter (15 meter til og fra pumpen = 30 meter samlet), medmindre jorden er våd, eller vandlejet er højt. Et meget groft estimat af varmetabet pr. 30 meter er 0,6 kWh (2000 BTU) for hver 5 °C temperaturforskel mellem swimmingpoolens vand og den jord, som omgiver røret, hvilket svarer til en forøgelse i driftstid på omtrent 3 % til 5 %.

3.4 RØRFØRING TIL VARMEPUMPE TIL SWIMMINGPOOLS

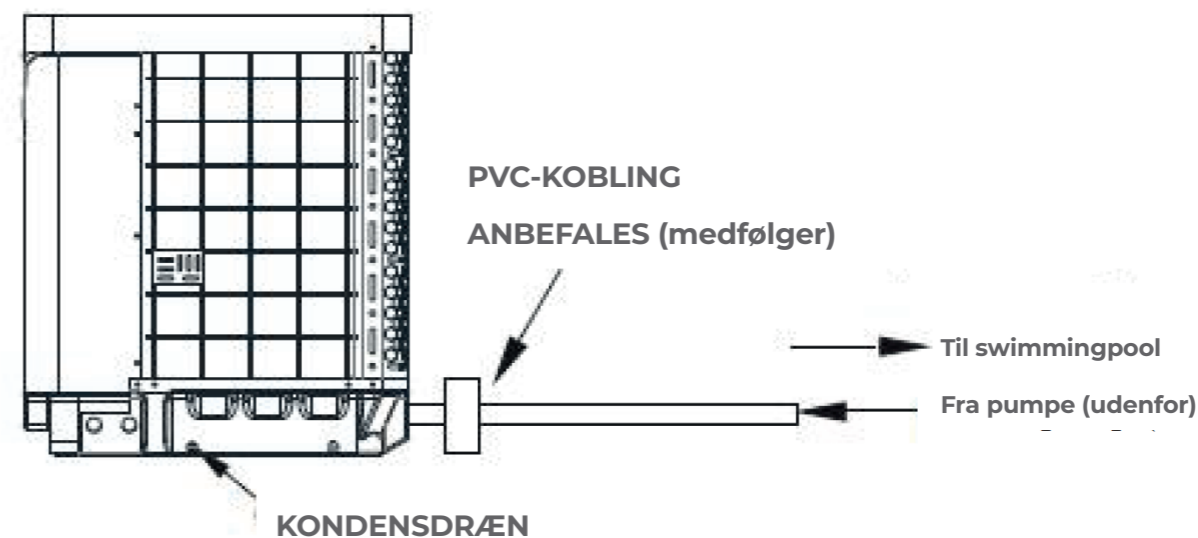
Swimmingpoolens varmepumpe er monteret med en eksklusiv titaniumvarmeveksler, der ikke kræver særlig rørføring (indstil gennemstrømningshastigheden i overensstemmelse med dataene på mærkepladen). Vandtrykket falder mindre end 10 kPa ved maks. gennemstrømningshastighed.

Der eksisterer ikke restvarme eller flammtemperaturer. Enheden har således ikke behov for rørføring i kobber. PVC-røret kan ledes direkte ind i enheden. Placering: Placer swimmingpoolens pumpeudledning (returledning) i en nedadgående retning regnet fra alle filter- og poolpumper og i en opadgående retning regnet fra alle klortilsætningsenheder, ozonenheder eller kemiske pumper.

Standardmodellen har limede fittings, der kan bruges sammen med PVC-rørføring ved tilslutning af PVC-rør på 32 mm eller 50 mm PVC til swimmingpoolens eller filterrengøringens rørføring. Ved brug af 50 NB til 40NB kan du lægge 40NB. Overvej kraftigt at tilføje en lynkobling ved enhedens indløb og udløb med henblik på at muliggøre nem dræning af enheden af hensyn til vinteropbevaring samt for at muliggøre nemmere adgang, hvis der bliver behov for servicering.

Kondensation: Eftersom varmepumpen nedkøler luften omtrent 4-5 gange så hurtigt som vand, kan der sættes sig kondens på den hesteskoformede fordampere. Hvis den relativ luftfugtighed er meget høj, kan dette betyde adskillige liter i timen. Vandet løber ned ad lamellerne til grundkarret og løber ud igennem det ru plastikkondensdræn på siden af grundkarret. Denne fitting er designet til brug sammen med et 20 mm klart vinylrør, der kan fremskubbes med håndkraft med henblik på muliggøre passende dræn. Det er nemt at forveksle kondens med vandlækage inden i enheden. **BEMÆRK:** En hurtig måde at undersøge, om der er tale om vandkondens eller ej, er at slukke enheden og lade swimmingpoolens pumpe fortsætte med arbejde. Hvis vandet stopper med at løbe ud af grundkarret, er der tale om kondensation. **EN ENDNU SIKRERE MÅDE** består i at **TESTE DRÆNVANDET FOR KLOR** – hvis der ikke er klor til stede, er der tale om kondens.

VARMEPUMP TIL SWIMMINGPOOL TYPE PV



3.5 LEDNING AF ELEKTRICITET TIL VARMEPUMPE TIL SWIMMINGPOOLS

BEMÆRK

Selvom enhedens varmeveksler er elektrisk isoleret fra resten af enheden, forhindrer den ganske enkelt gennemstrømning af elektricitet til og fra vandet til swimmingpoolen.

Jording af enheden er stadig påkrævet i forhold til at beskytte dig imod kortslutning fra kredsløb inde i enheden. Binding er også påkrævet. Enheden har en separat forstøbt boks med en forudmonteret almindelig strømledernippel.

Afmonter blot skruerne, led forsyningsledningerne igennem niplen, og fastgør de elektriske forsyningsledninger til de tre tilslutninger, der allerede befinder sig i kontaktboksen (fire tilslutninger i tilfælde af tre faser). Fuldfør den elektriske tilslutning ved at slutte varmepumpen til det elektriske kredsløb, UF-kablet eller andre egnede midler (som tilladt af de lokale myndigheder) og et egnet AC-strømforsyning, som er udstyret med den pågældende kredsløbsafbryder, sikring eller tidsforsinkelsesafbryder.

Afbryd – der skal befinde sig en afbryder (kredsløbsafbryder, kontakt med eller uden sikring) inden for synsvidden af enheden, og som skal være let tilgængelig. Dette er almindelig praksis i forbindelse med installation af aircondition og varmepumper til erhvervs mæssig eller privat brug. Det forhindrer, at enheden tændes af strømforsyning, uovervåget udstyr, mens enheden serviceres.

3.6 INDLEDENDE OPSTART AF ENHEDEN

BEMÆRK

Producenten kan levere andre passende eksempler eller yderligere oplysninger om kølemidlets lugt.

Opstartsprocedure – når installationen er gennemført, skal disse trin følges:

1. Tænd for filterpumpen. Kontroller for vandlækager, og bekræft tilstrømningen til og fra swimmingpoolen.
2. Tænd for strømforsyningen til enheden, og tryk derefter på TÆND/SLUK på kabelfjernbetjeningen. Enheden bør starte inden for få sekunder.
3. Når du har ladet den køre i nogle få minutter, skal du sørge for, at den luft, som forlader den øverste side af enheden, er koldere (mellem 5-10°C)
4. Under betjening af enheden, og hvis filterpumpen slukkes, bør enheden også slukkes automatisk.
5. Lad enheden og swimmingpoolens pumpe køre i 24 timer i døgnet, indtil den ønskede vandtemperatur er opnået. Når vandtemperaturen når denne indstilling, sænkes enhedens hastighed i nogen tid. Hvis temperaturen fastholdes i 45 minutter, slukkes enheden. Enheden genstartes nu automatisk (så længe swimmingpoolens pumpe arbejder), når swimmingpoolens når til et niveau, der ligger under 0,2 den indstillede temperatur.

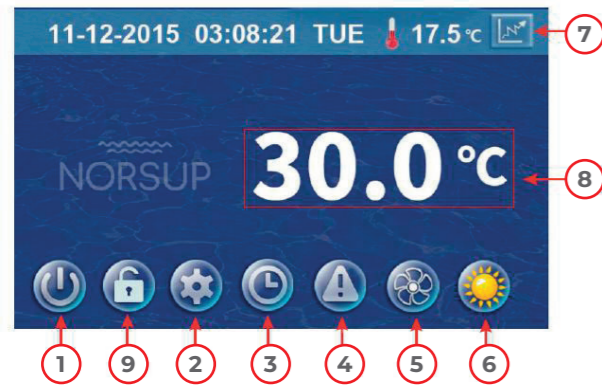
Timet forsinkelse: Enheden er udstyret med et indbygget 3-minutters forsinkelsesrelæ, der beskytter kredsløbets styringskomponenter, og som eliminerer problemer med afladnings- og startcykluser. Tidsforsinkelsen genstarter automatisk enheden ca. 3 minutter efter hver enkelt afbrydelse af kontrol-kredsløbet. Selv kortvarige strømafbrydelser aktiverer det indbyggede 3-minutters forsinkelsesrelæ, som forhindrer enheden i at starte, før tællingen på 5 minutter er gennemført.

VARMEPUMP TIL SWIMMINGPOOL TYPE PV

4. BETJENING OG BRUG

4.1 INTRODUKTION TIL FARVESKÆRMENS KABLEDE STYREGRÆNSEFLADE

(1) Hovedgrænseflade



(2) Knapbeskrivelse

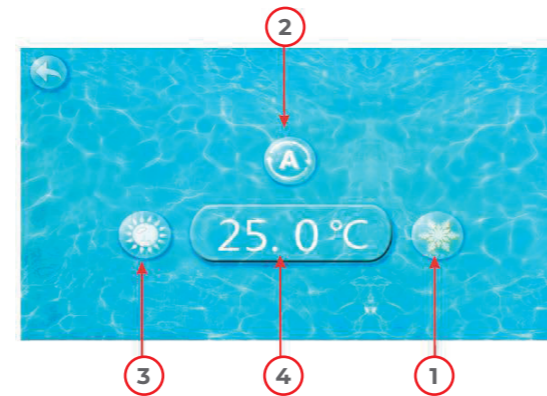
Nr.	NAVN	KNAPFUNKTION
1	TÆND/SLUK	Tryk på knappen for at tænde eller slukke for enheden.
2	Parameter	Klik på denne knap for at få vist enhedens tilstand og parameteren
3	UR	Tryk for at indstille uret samt tænd og sluk-timer. Når timeren er aktiveret, lyser knappen grønt
4	Fejlvkning	Klik for at få vist fejlhistorik
5	Tavshed-sindstilling	Klik på tænd/sluk for at aktivere tavshedsfunktionen samt for at indstille funktionen til lav hastighed.
6	TILSTAND	Klip for at aktivere grænsefladen til indstilling af tilstandsindstilling og måltemperatur
7	Temp.- kurve	Klik for at få vist temperatur- og effektkurve
8	Vandind-løbtemp.	Klip for at aktivere grænsefladen til indstilling af tilstandsindstilling og måltemperatur
9	LÅS	Klik for at låse skærmen. Tast „22“ for at låse op for skærmen med „låseknappen“

4.2 INTRODUKTION TIL FARVESKÆRMENS KABLEDE STYRING

(1) Opstart og nedlukning
Som vist i figur 1.1: I nedlukningstilstand skal du klikke på **1**, hvorefter enheden startes op. I opstartstilstand skal du klikke på **1**, hvorefter enheden lukkes ned.

(2) Tilstandskontakt og indstilling af måltemperatur

(2.1) Tilstandskontakt
I hovedgrænseflade skal du klikke på tilstandsknappen eller indstillingsknappen for indløbsvandtemperatur som følger:



Klik på køletilstandsknappen **1**, knappen for automatisk tilstand **2** eller knappen til opvarmning **3**. Efterfølgende kan du indstille den ønskede tilstand.
Bemærk: Når enheden er designet til enkelt automatisk tilstand eller enkelt termisk tilstand, kan tilstanden ikke skiftes.

(2.2) Måltemp.- indstilling
Klik på temperaturindstillingsknappen **4** for at indstille temperaturen.

VARMEPUMP TIL SWIMMINGPOOL TYPE PV

(3) Indstilling af klokkeslæt
I hovedgrænsefladen skal du klikke på knappen til indstilling af uret. Grænsefladen viser følgende:



(3.1) Betjening af tidsindstillingen
Klik på knappen til indstilling af uret **1**. Grænsefladen viser følgende:



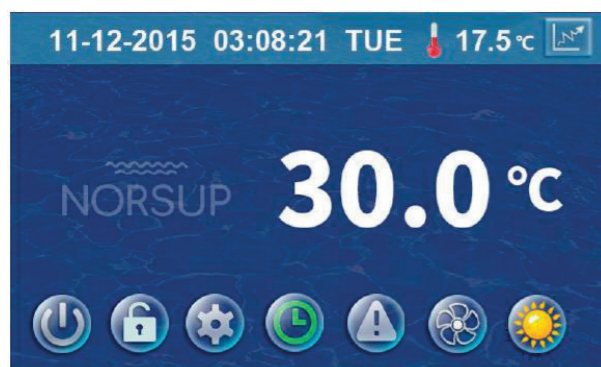
Klik på værdien for at indstille klokkeslættet direkte. Klik derefter på knappen til bekræftelse for at gemme indstillingerne. Eksempel: konfigurationstid: for 30-11-2016 16:00:00 skal du indtaste 30 11 16 16 00 00. Kvikter for ændringen med knappen til bekræftelse. Bemærk: Hvis indtastningsformatet ikke er korrekt, gemmes det fejlagtige tidspunkt, hvis du klikker på knappen til bekræftelse.

(3.2) Betjening af timerindstillingen
Klik på knappen til indstilling af timeren **2** for at åbne timergrænsefladen.



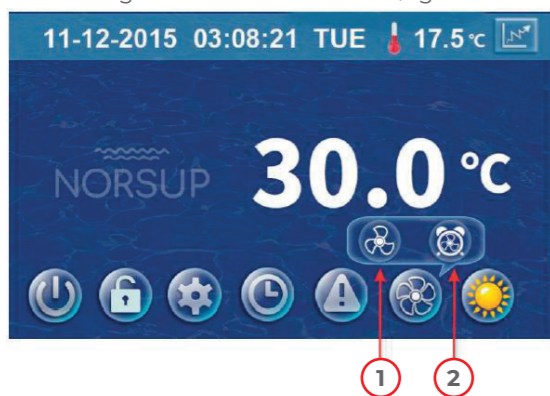
Nr.	NAVN	KNAPFARVE	KNAPFUNKTION
1	Timertabel	- Start: grøn - Slut: grå	Klik på denne knap for at starte eller afslutte timer- og indstillingsfunktionen
2	Knap til aktivering af timeren		Klik for at indstille timerens starttid
3	Knap til deaktivering af timeren	- Åben: rød - Slut: grå	Klik på denne knap for at starte eller afslutte timer- og indstillingsfunktionen
4	Indstilling for slukning af timeren		Klik for at indstille timerens sluttid

VARMEPUMP TIL SWIMMINGPOOL TYPE PV



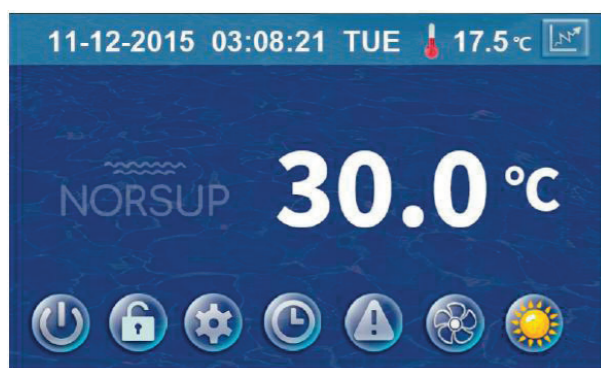
Når timeren er sat i gang, er urnkappen grøn på hovedgrænsefladen.

(4) Tavshedsindstilling og timertavshedsindstilling
Klik på knappen til timertavshedsindstilling, hvorefter grænsefladen viser som følger:



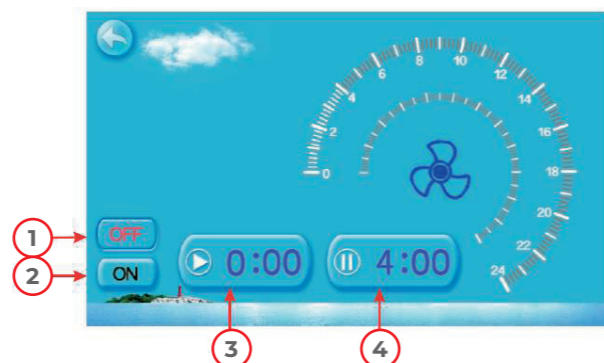
(4.1) Tavshedsknappen

Klik på tavshedsknappen 1. Enheden overgår til tavs tilstand. Grænsefladen viser følgende:



Klik på tavshedsknappen 1 igen for at forlade tavs tilstand.

(4.2) Indstilling af funktionen til timet tavshed
Klik på knappen til slutning af timeren 2. Grænsefladen viser følgende:



NR.	NAVN	FARVE	FUNKTION
1	Timet tavshed slukket	I brug: rød Ikke i brug: grå	Klik for at bruge eller ophøre med at bruge timerfunktionen
2	Timet tavshed tændt	I brug: grøn Ikke i brug: grå	Klik for at bruge eller ophøre med at bruge slukning af timerfunktionen
3	Timing af starttid for tavshed		Klik på denne knap for at indstille starttid for tavshed
4	Timing af sluttid for tavshed		Klik på denne knap for at indstille sluttid for tavshedstimer

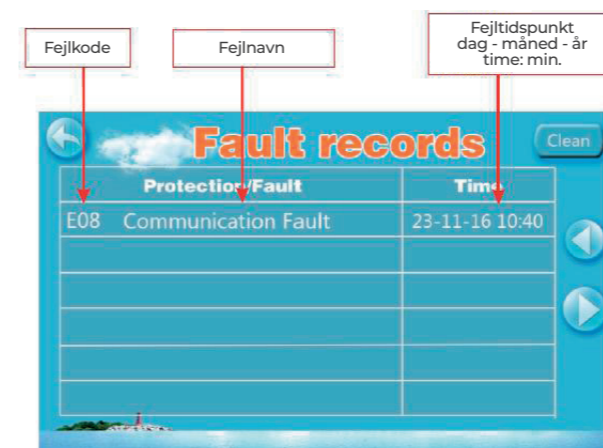
Værdierne for starttid og sluttid skal ligge inden for området 00:00-23:00, og indstillingen kan gennemføres på én decimal.

Eksempel på ovenstående: Klik på „TIL“ for at bruge tavshedstimer. Enheden starter tavshedstimeren kl. 00.00 og afslutter den kl. 04.00. Klik på „FRA“ for at deaktivere tavshedstimeren. Hvis enheden stadig befinder sig i tavshedstilstanden, afslutter den øjeblikkeligt tavs tilstand.

VARMEPUMP TIL SWIMMINGPOOL TYPE PV

(5) Fejlhistorik

I hovedgrænsefladen skal du klikke på knappen til visning af fejl. Grænsefladen viser følgende:



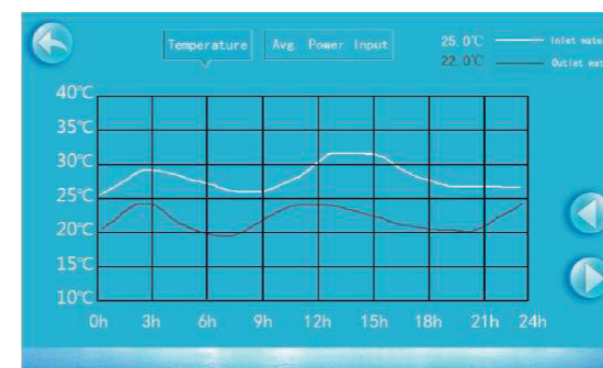
Hvis der ikke er nogen fejl, viser grænsefladen „▲“. Hvis der opstår fejl, blinker ikonet med visningen „▲“. Fejlgrænsefladen registrerer tid, kode og navn på fejlen. Efter fejlsøgningen, og hvis du ikke kontrollerer fejlregistreringen, vil hovedgrænsefladen konstant vise „▲“. Hvis du kontrollerer fejlregistreringen, vil hovedgrænsefladen konstant vise „▲“.

Fejlregistrering foregår i omvendt rækkefølge og i overensstemmelse med opståelsestidspunktet. Tryk på knappen „Ryd“. Du kan slette fejlregistreringen.

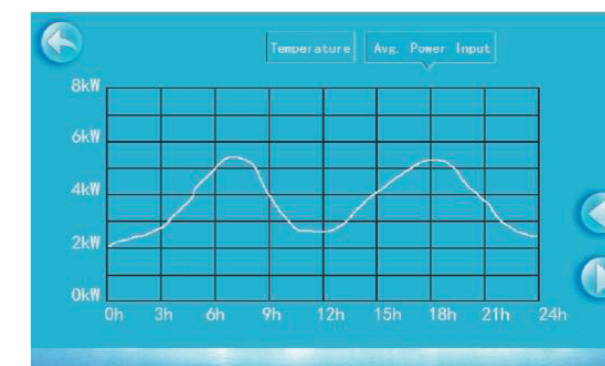
(6) Temperaturkurve

Klik på kurvevisningsknappen i hovedgrænsefladen. Grænsefladen viser som følger:

(6.1) Temperaturregistreringskurven fungerer som følger:



(6.2) Den gennemsnitlige effektkurve



Temperaturkurven opdateres automatisk hver time, og registreringen af kurven kan opbevares i 60 dage.

Begynd fra den seneste kurves lagringstid. Hvis strømmen er slukket, og tidspunktet for indsamling af kurvedata er mindre end én time, vil data for dette tidsrum ikke blive gemt.

VARMEPUMP TIL SWIMMINGPOOL TYPE PV

4.3 PARAMETERLISTE OG NEDBRUDSTABEL

(1) Elektronisk kontrolfejltabel

Kan dømmes i overensstemmelse med fjernbetjenings fejlkode og fejlsøgning

Beskyt/fejl	Fejlvisning	Årsag	Elimineringsmetoder
Standby	Non		
Normal opstart	Non		
Indløbstemp. sensorfejl	P01	Temperatursensoren er defekt, eller der er kortslutning	Kontroller eller udskift temperatursensoren
Udløbstemp. Sensorfejl	P02	Temperatursensoren er defekt, eller der er kortslutning	Kontroller eller udskift temperatursensoren
Omgivelsestemp. - sensorfejl	P04	Temperatursensoren er defekt, eller der er kortslutning	Kontroller eller udskift temperatursensoren
Spoletemp.- sensorfejl	P05	Temperatursensoren er defekt, eller der er kortslutning	Kontroller eller udskift temperatursensoren
Sugetemp.- sensorfejl	P07	Temperatursensoren er defekt, eller der er kortslutning	Kontroller eller udskift temperatursensoren
Udledningstemp. - sensorfejl	P081	Temperatursensoren er defekt, eller der er kortslutning	Kontroller eller udskift temperatursensoren
Højtryksbesk.	E01	Højtrykskontakten er defekt	Kontroller trykkontakten og det kolde kredsløb
Lavtryksbesk.	E02	Lavtryksbeskyttelse	Kontroller trykkontakten og det kolde kredsløb
Gennemstrømningskontaktbesk.	E03	Intet/lidt vand i vandsystemet	Kontroller rørets vandgennemstrømning og vandpumpen
Frostsikring	E07	Utilstrækkelig vandgennemstrømning	Kontroller vandgennemstrømningen i røret, og om vandsystemet er blokeret
Primær frostsikring	E19	Omgivelsestemp. lav	
Sekundær frostsikring	E29	Omgivelsestemp. lav	
Indløbs- og udløbstemp. for høj	E06	Utilstrækkelig vandgennemstrømning og lavt differentialtryk	Kontroller vandgennemstrømningen i røret, og om vandsystemet er blokeret
Lavtemperaturbeskyttelse	Non	Omgivelsestemp. er lav	
Kompressoroverstrøms- besk.	E051	Kompressoren er overbelastet	Kontroller, om systemets kompressor kører normalt
Udledningsluft over temp.-besk.	P082	Kompressoren er overbelastet	Kontroller, om systemets kompressor kører normalt
Kommunikations fejl	E08	Kommunikationsfejl mellem kabelcontroller og hovedpanel	Kontroller kabelforbindelsen mellem kabelcontrolleren og hovedpanel
Frostsikringstem p.- sensorfejl	P09	Sensor til frostsikringstemp. er defekt eller kortsluttet	kontroller og udskift denne temperatursensor
Frostsikring for vandvej	E05	vandtemp. eller omgivelsestemp. er for lav	
Fejli EC-ventilatorfee dback	F051	Der er noget galt med ventilatormotoren, og ventilatormotoren stopper med at arbejde	Kontroller, om ventilatormotoren er defekt eller fastlåst
Tryksensorfejl	PP	Tryksensoren er defekt	Kontroller eller udskift tryksensoren
Fejli ventilatormotor 1	F031	1. Motoren er låst ned i fastlåst rotortilstand 2. Kabelforbindelsen mellem DC-ventilatormotor modul og ventilatormotor er i ringe stand	1. Udskift til en ny ventilatormotor 2. Kontroller ledningstilslutningen, og sørg for, at der er god kontakt!
Fejli ventilatormotor 2	F032	1. Motoren er låst ned i fastlåst rotortilstand 2. Kabelforbindelsen mellem DC-ventilatormotor modul og ventilatormotor er i ringe stand	1. Udskift til en ny ventilatormotor 2. Kontroller ledningstilslutningen, og sørg for, at der er god kontakt!
Kommunikations fejl (hastighedskontrolmodul)	E081	Fejl i hastighedskontrolmodul og hovedpanel	Kontroller kommunikationsforbindelsen

VARMEPUMP TIL SWIMMINGPOOL TYPE PV

FEJL I FREKVENSKONVERTERINGS PANELET:

Beskyt/fejl	Fejlvisning	Årsag	Elimineringsmetoder
Drv1 MOP-alarm	F01	MOP-drevalarm	Gendannelse efter 150 sek.
Omformer offline	F02	Fejl i kommunikation mellem konverteringspanel og hovedpanel	Kontroller kommunikationsforbindelsen
IPM-beskyttelse	F03	IPM-modulbeskyttelse	Gendannelse efter 150 sek.
Kompressoroverstrøms- driverfejl	F04	Manglende fase eller trin eller hardwaredefekt	Kontroller målespændingen Kontroller hardwaren til frekvensomformerpanelet
DC-ventilatorfejl	F05	Åbent kredsløb eller kortslutning i motorstrøm	Kontroller motoren returnerer strømmen
IPM-overstrøm	F06	IPM-indgangsstrøm er høj	Kontroller og juster den aktuelle måling
Omf. DC-overspænding	F07	DC-busspænding > Beskyttelsesværdi for DC-busoverspænding	Kontroller indgangsspændingsmålingen
Omf. DC mindre spænding	F08	DC-busspænding > Beskyttelsesværdi for DC-busoverspænding	Kontroller indgangsspændingsmålingen
Omf. Lav indgangsspænding.	F09	Indgangsspændingen er lav, hvilket forårsager høj indgangsstrøm	Kontroller indgangsspændingsmålingen
Omf. Overspænding for indgang.	F10	Indgangsspændingen er for høj, mere end udfaldsbeskyttelsesstrømmen RMS	Kontroller indgangsspændingsmålingen
Omf. Testspænd.	F11	Fejl i indgangstestspænding	Kontroller og juster den aktuelle måling
Komm.- fejl DSP-PFC	F12	DSP- og PFC-forbindelsesfejl	Kontroller kommunikationsforbindelsen
Inputoverstr.	F26	Belastningen fra udstyret er for høj	
PFC-fejl	F27	PFC-kredsløbsbeskyttelse	Kontroller PFC-kontaktørret for kortslutning
IPM-overophedning	F15	IPM-modulet er overophedet	Kontroller og juster den aktuelle måling
Adv. om lav magnetisme	F16	Kompressorens magnetisme er ikke tilstrækkeligt stærk	
Omf. Indgangens udfase	F17	Indgangsspændingen har tabt en fase	Kontroller og mål spændingsjusteringen
IPM-teststrøm	F18	IPM-elektricitet er fejlramt	Kontroller og juster den aktuelle måling
Omf. Temp.- følerfejl	F19	Sensoren er kortsluttet eller har åbent kredsløb	Inspicer og udskift sensoren
Overophedning af omformer	F20	Transduceren er overophedet	Kontroller og juster den aktuelle måling
Omf. Adv. vedr. overophe.	F22	Transducertemperaturen er for høj	Kontroller og juster den aktuelle måling
Kompressoroverstrøms- overstrømsadvarsel	F23	Kompressorens elektricitet er høj	Kompressoroverstrømsbesk.
Inputoverstr. advarsel	F24	Indgangsstrøm er for stor	Kontroller og juster den aktuelle måling
EEPROM-fejladv.	F25	MCU-fejl	Kontroller, om chippen er beskadiget Udskift chippen
V15V over-/underspændingsfejl	F28	V15V modtager for høj eller for lav spænding	Kontroller, at V15V's indgangsspænding befinder sig i området 13,5 V ~ 16,5 V

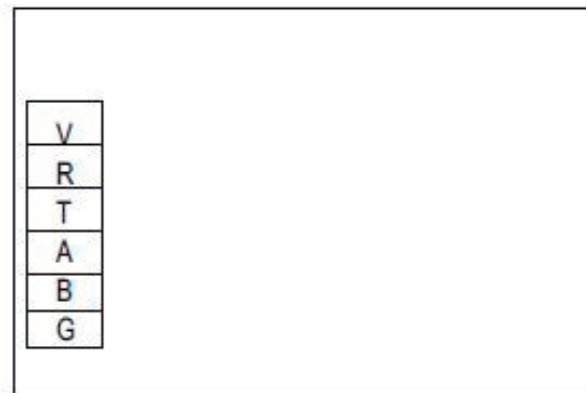
(2) Parameterliste

Betydning	Standard	Bemærkninger
Indstillingspunkt for måltemperatur	28°C	Justerbar
Indstillingspunkt for opvarmningsmåltemperatur	28°C	Justerbar
Automatisk indstillingspunkt for måltemperatur	27°C	Justerbar

VARMEPUMP TIL SWIMMINGPOOL TYPE PV

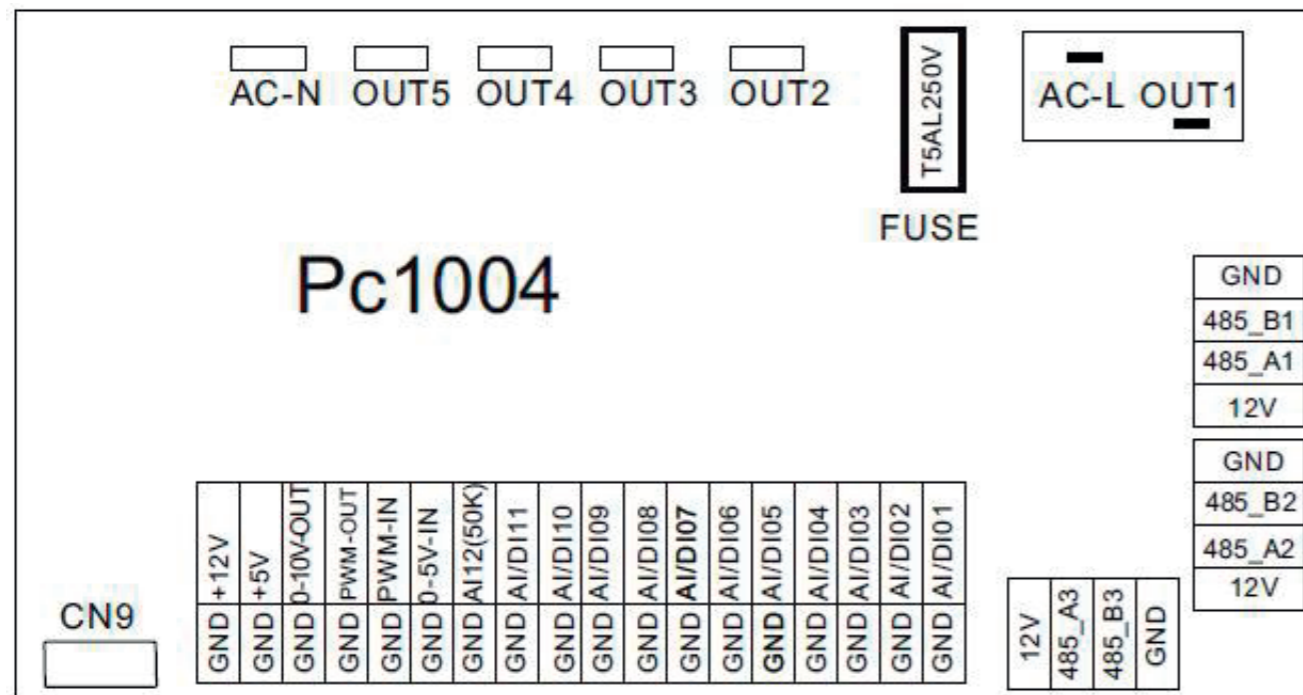
4.4 SKITSERING AF GRÆNSEFLADE

(1) Diagram og definition



Skilt	Betydning
V	12V (strøm +)
R	Ikke i brug
T	Ikke i brug
A	485A
B	485B
G	GND (strøm-)

(2) Controllergrænsefladens diagram og definition



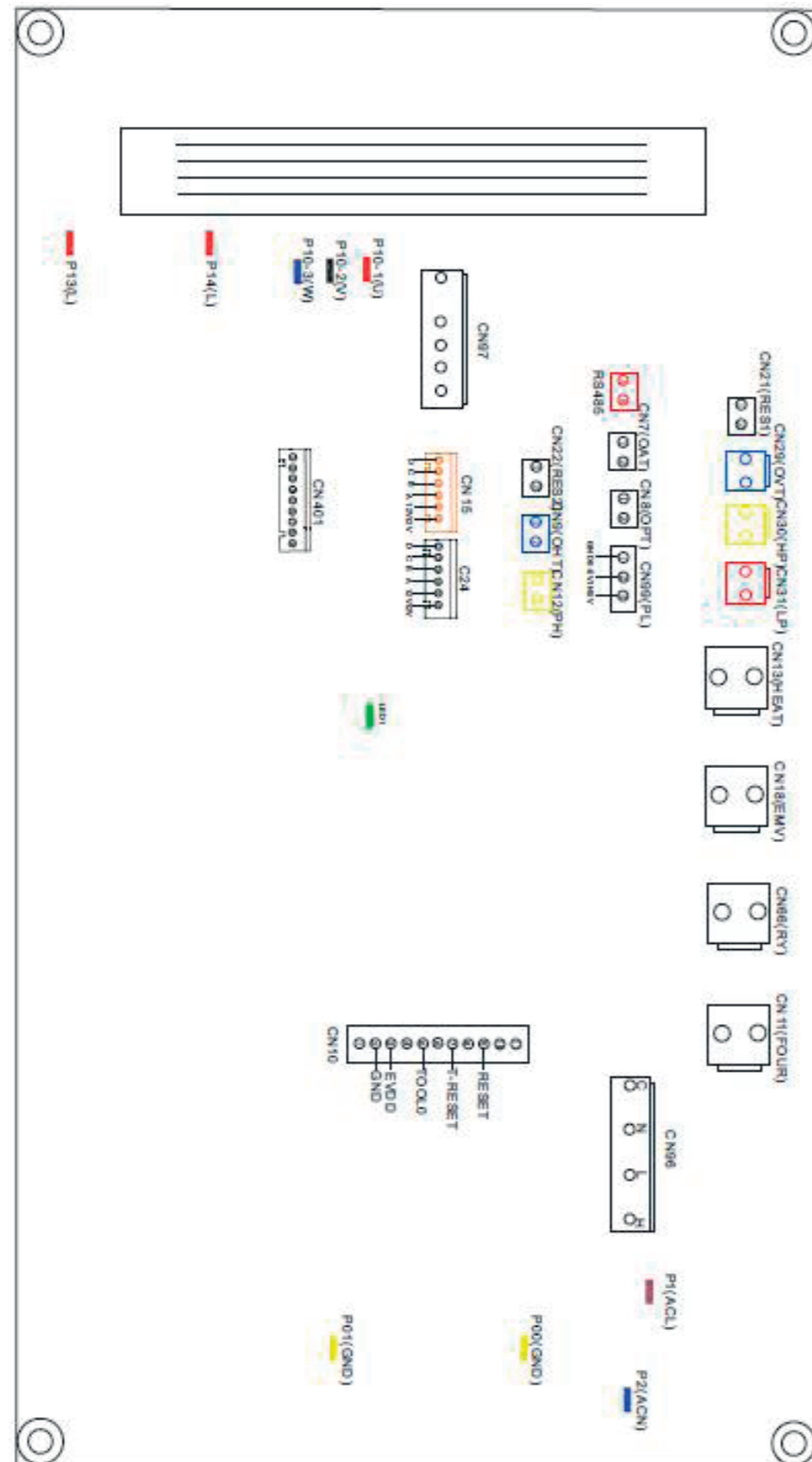
VARMEPUMP TIL SWIMMINGPOOL TYPE PV

Der findes oplysninger om hovedpanelets ind- og udgangsgrænseflader nedenfor

Nummer	Skilt	Betydning
01	OUT1	Kompressor (output 220-230 V AC)
02	OUT2	Vandpumpe (output 220-230 V AC)
03	OUT3	4-vejsventil (output 220-230 V AC)
04	OUT4	Høj hastighed for ventilator (output 220-230 V AC)
05	OUT5	Lav hastighed for ventilator (output 220-230 V AC)
06	AC-L	Strømførende ledning (input 220-230 V AC)
07	AC-N	Neutral ledning (input 220-230 V AC)
08	AI/DI01	Nødkontaktindgang
09	AI/DI02	Kontaktindgang til vandgennemstrømning
10	AI/DI03	Lavtryksindgang for systemet
11	AI/DI04	Højtryksindgang for systemet
12	AI/DI05	Systemudsugningstemperatur indløb
13	AI/DI06	Vandindløbstemperatur indløb
14	AI/DI07	Vandudledningstemperatur (indløb)
15	AI/DI08	Systemventilspoletemperatur indløb
16	AI/DI09	Omgivelsestemperatur indløb
17	AI/DI10	Tilstandskontaktindgang
18	AI/DI11	Master/slave-maskinkontakt/indgang til frostsikring
19	AI12(50K)	Systemudsugningstemperatur indløb
20	0_5V_IN	Registrering af kompressorstrøm/kompressorsensor (indløb)
21	PWM_IN	Master/slave-maskinkontakt/feedbacksignal fra EC fan (indløb)
22	PWM_OUT	AC-ventilator kontrol (output)
23	0_10V_OUT	EC-ventilator kontrol (output)
24	+5V	+5V (output)
25	+12V	+12V (output)
26	GND	
27	485_B1	Panelkommunikation med frekvenskonvertering
28	485_A1	
29	12V	
30	GND	
31	485_B2	Kommunikation med farvet linje
32	485_A2	
33	12V	
34	CN9	Elektronisk ekspansionsventil
35	GND	
36	485_B3	Porten til centraliseret kontrolsystem
37	485_A3	
38	12V	

VARMEPUMP TIL SWIMMINGPOOL TYPE PV

Controllergrænsefladens diagram og definition



VARMEPUMP TIL SWIMMINGPOOL TYPE PV

Der findes oplysninger om hovedpanelets ind- og udgangsgrænseflader nedenfor

Nummer	Skilt	Betydning
01	P10-(U)	Kompressor (output 220-230 VAC)
02	P10-(V)	
03	P10-(W)	
04	CN18(EMV)	Vandpumpe (output 220-230 VAC)
05	CN13(HEAT)	4-vejsven il (output 220-230 VAC)
06	CN96(H)	Høj hastighed for ventilator (output 220-230 VAC)
07	CN96(L)	Lav hastighed for ventilator (output 220-230 VAC)
08	P1(AC-L)	Strømførende ledning (input 220-230 VAC)
09	P2(AC-N)	Neutral ledning (input 220-230 VAC)
10	CN99(PL)	Tryksensor
11	CN29(OVT)	Vandgennemstrømningskontakt (indløb)
12	CN30(HP)	Højtrykskontakt (indløb)
13	CN31(LP)	Lavtrykskontakt (indløb)
14	CN7(OAT)	Systemudsugningstemperatur (indløb)
15	CN21 (RES1)	Vandindløbstemperatur (indløb)
16	CN22(RES2)	Vandudledningstemperatur (indløb)
17	CN8(OPT)	Systemventilspoletemperatur (indløb)
18	CN12(PH)	Omgivelsestemperatur (indløb)
19	CN9(OHT)	Systemudsugningstemperatur (indløb)
20	POO(GND)	Jordledning
21	P01(GND)	Jordledning
22	P13(L) P14(L)	Elektrisk reaktor
23	R485(B) R485(A)	Kommunikation med farvet linje
24	CN15	Elektronisk ekspansionsventil

EN

NL

DE

FR

DK

SE

VARMEPUMP TIL SWIMMINGPOOL TYPE PV

5. VEDLIGEHOVELSE OG INSPEKTION

Kontroller vandforsyningsenheden og udløsningen ofte. Lad ikke vand komme ind i systemet, eftersom dette vil påvirke enhedens ydeevne og pålidelighed. Rengør swimmingpoolens/spabadets filter jævnligt med henblik på at forebygge skader på enheden som resultat af et tilsmudset eller tilstoppet filter.

Området omkring enheden skal være tørt, rent og velventileret. Rengør jævnligt varmeveksleren med henblik på at bevare god varmeveksling og spare energi.

Driftstrykket i kølesystemet må kun serviceres af fagpersonale.

Kontroller ofte strømforsyningen og kabeltilslutningen. Hvis enheden begynder at fungere unormalt, skal den slukkes. Kontakt en kvalificeret tekniker.

Udtøm alt vand i vandpumpen og vandsystemet, således at vandet i pumpen eller vandsystemet ikke fryser. Udtøm vandet i bunden af vandpumpen, hvis enheden ikke skal bruges i længere tid ad gangen. Kontroller omhyggeligt enheden, og påfyld systemet helt med vand, før det tages i brug for første gang.

Områdekontroller

Før arbejde på systemer med letantændelige kølemidler påbegyndes, skal der udføres sikkerhedskontroller med henblik på at sikre, at antændelsesrisikoen minimeres. Ved reparation af kølesystemer skal følgende forholdsregler overholdes, før der udføres arbejde på systemet.

Arbejdsprocedure

Arbejde skal gennemføres under en kontrolleret procedure med henblik på at minimere risikoen for, at der dannes letantændelig gas eller damp under arbejdet.

Overordnet arbejdsområde Alt

vedligeholdelsespersonale og øvrigt personale, der arbejder inden for det lokale område, skal instrueres i beskaffenheden af det arbejde, som udføres. Arbejde på indelukkede områder skal undgås. Området omkring arbejdsområdet skal afspærres. Sørg for, at forholdene inden for området er gjort sikre igennem kontrol af letantændelige materialer.

Kontrol for tilstedeværelse af kølemiddel

Området skal kontrolleres med en passende kølemiddel-detektor før og under arbejde med henblik på at sikre, at teknikeren er opmærksom på potentielt letantændelige atmosfærer. Sørg for, at det lækagedetektionsudstyr, der benyttes, egner sig til brug sammen med letantændelige kølemidler, dvs. ikke-gnistdannende, tilstrækkeligt forsejlet eller grundlæggende sikkert.

Tilstedeværelse af ildslukker

Hvis der skal udføres varmarbejde på køleudstyr eller evt. tilknyttede dele, skal der være passende brandslukningsudstyr tilgængeligt. Sørg for at have en pulverildslukker eller CO₂-ildslukker i nærheden af påfyldningsområdet.

Ingen antændelseskilder

Ingen person, der udfører arbejde på et kølesystem, som omfatter eksponering for noget rørarbejde, der indeholder eller har indeholdt letantændeligt kølemiddel, må bruge nogen former for antændelseskilder på en sådan måde, at det kan føre til risiko for ild eller eksplosion. Alle tænkelige antændelseskilder, herunder tobaksrygning, skal holdes på tilstrækkelig afstand af stedet for installation, reparation, afmontering og kassering, eftersom letantændeligt kølemiddel kan blive frigivet til det omgivende område. Før der udføres arbejde af nogen art, skal området omkring udstyret overvåges, så det kan sikres, at der ikke er antændelsesfarer eller antændelsesrisici til stede. Der skal opsættes skilte af typen „Rygning forbudt“.

Ventileret område

Sørg for, at området er åbent, eller at det er tilstrækkeligt ventileret, før der gribes ind i systemet eller udføres nogen former for varmarbejde. En vis grad af ventilation skal fortsætte i løbet af den periode, hvor arbejdet udføres. Ventilationen skal sikkert fordele evt. frigivet kølemiddel og helst udlede det eksternt til atmosfæren.

Kontroller for køleudstyret

Hvis der udskiftes elektriske komponenter, skal de være egnede til formålet og den korrekte specifikation. Producentens retningslinjer for vedligeholdelse og service skal overholdes. I tvivlstilfælde skal producentens tekniske afdeling kontaktes af hensyn til assistance. Følgende kontroller skal anvendes til installationer, som anvender letantændelige kølemidler. Påfyldningsstørrelsen er i overensstemmelse med størrelsen af det lokale, hvor delene indeholdende kølemiddel installeres. Ventilationsmaskineriet og udløbene arbejder korrekt og uden forhindringer. Hvis der gøres brug af et kølekredsløb, skal det sekundære kredsløb igen kontrolleres for tilstedeværelse af kølemiddel. Mærkning på udstyret er fortsat synlig og læselig. Mærkninger og skilte, der er ulæselige, skal tilrettes. Kølerør eller -komponenter, der er installeret i en position, hvor de formentlig ikke vil blive eksponeret for noget emne, der kan korrodere kølemiddelholdige komponenter, medmindre komponenterne er fremstillet af materialer, der i sig selv er modstandsdygtige over korrosion, eller som er passende beskyttet imod korrosion.

Kontroller for elektriske enheder

Reparation og vedligeholdelse af elektriske komponenter skal omfatte indledende sikkerhedskontroller og procedurer til komponentinspektion. Hvis der er fejl til stede, som kan sætte sikkerheden over styr, må ingen elektrisk forsyning tilsluttes kredsløbet, før fejlen er korrekt afhjulpet. Hvis fejlen ikke kan udbedres med det samme, men det er nødvendigt at fortsætte drift, skal der gøres brug af en tilstrækkelig midlertidig løsning.

Dette skal indberettes til ejeren af udstyret, således at alle parter ved besked. Indledende kontroller skal omfatte:

- At kondensatorer aflades: Dette skal udføres på en sikker facon med henblik på at forebygge risikoen for gnistdannelse.

VARMEPUMP TIL SWIMMINGPOOL TYPE PV

- At der ikke er nogen eksponerede strømførende elektriske komponenter og kabler under påfyldning, aftapning eller tømning af systemet.
- At der er kontinuitet i jordingen.

Reparationer af forseglede komponenter

- 1) Under reparationer af forseglede komponenter skal alle elektriske forsyninger afbrydes fra det udstyr, der arbejdes på, før afmontering af forseglede komponenter m.v. Det er af absolut nødvendighed at have en elektrisk forsyning til udstyret under servicering, og efterfølgende skal der placeres en permanent fungerende form for lækagedetektion på det mest kritiske punkt med henblik på at advare om en potentielt farlig situation.
- 2) Der skal udvises særlig opmærksomhed på følgende med henblik på at sikre, at arbejdet på elektriske komponenter ændrer kabinettet på en sådan måde, at beskyttelses-niveauet påvirkes. Dette skal omfatte skader på kabler, et overdrevet antal tilslutninger, terminaler, der ikke er oprettet i overensstemmelse med de originale specifikationer, skader på pakninger, ukorrekt montering af tætninger m.v.

Sørg for, at apparatet er monteret korrekt.

Sørg for, at pakninger eller pakningsmaterialer ikke er blevet nedbrudt, så de ikke længere kan forebygge indtrængning af letantændelige atmosfærer. Udskiftningsdele skal være i overensstemmelse med producentens specifikationer.

BEMÆRK

Brug af silikoneforsegling kan svække effektiviteten af visse typer udstyr til lækagedetektion. Der er ikke nødvendigt at isolere grundlæggende sikre komponenter før arbejde på dem.

Reparation af grundlæggende usikre komponenter

Benyt ikke permanente induktive eller kapacitansmæssige belastninger til kredsløbet uden at sikre, at de ikke overstiger den tilladte spænding og strøm, der er tilladt for det pågældende udstyr. Grundlæggende sikre komponenter er kun typer, der kan arbejdes på, mens de er aktive under tilstedeværelse af en letantændelig atmosfære. Testapparatet skal have de korrekte specifikationer. Udskift kun komponenter med dele, der er specificeret af producenten. Øvrige dele kan resultere i antændelse af kølemidlet i atmosfæren fra en lækage.

Kabling

Kontroller, at kablingen ikke udsættes for slitage, korrosion, overdrevent tryk, vibrationer, skarpe kanter eller nogen øvrige negative miljømæssige effekter. Kontrollen skal tage højde for effekterne fra aldrig eller konstante vibrationer fra kilder såsom kompressorer eller ventilatorer.

Detektion af letantændelige kølemidler

Potentielle antændelseskilder må under ingen omstændigheder bruges til at søge efter eller detektere kølemiddellækager. Der må ikke benyttes halogenfakkel (eller en anden detektor, som anvender åben ild).

Metoder til lækagedetektion

Følgende metoder til lækagedetektion skønnes at være acceptable for systemer indeholdende letantændelige kølemidler. Der skal benyttes elektroniske lækagedetektorer til at detektere letantændelige kølemidler, men følsomheden er muligvis ikke korrekt eller kræver recalibrering. (Registreringsudstyr skal kalibreres i et kølemiddelfrit område.) Sørg for, at detektoren ikke er en potentiel antændelseskilde og egner sig til det anvendte kølemiddel. Udstyr til lækagedetektion skal indstilles til en procentdel af LFL for kølemidlet og skal kalibreres til det anvendte kølemiddel, og den pågældende procentdel gas (min. 25 %) skal bekræftes. Væsker til lækagedetektion er velegnede til brug sammen med de fleste kølemidler, men brug af rensmidler indeholdende klor skal undgås, eftersom klor kan reagere med kølemidlet og korrodere kobberforløbet. Hvis der er mistanke om lækage, skal al åben ild fjernes/slukkes. Hvis der findes kølemiddellækage, som kræver svejsning, skal alt kølemiddel aftappes fra systemet eller isoleres (ved brug af lukkeventiler) i en del af systemet, der er på afstand af lækagen. Oxygenfri nitrogen (OFN) skal efterfølgende sendes igennem systemet, både før og under svejsningsprocessen.

Afmontering og aftapning

Når der brydes ind i kølemiddelkredsløbet af hensyn til reparationer – eller øvrige formål – skal der gøres brug af konventionelle procedurer. Det er dog vigtigt at følge best practice, eftersom letantændelighed er en faktor. Følgende procedure skal overholdes:

- Aftap kølemiddel
- Udluft kredsløbet med inaktiv gas
- Tøm
- Udluft igen med inaktiv gas
- Åbn kredsløbet ved at skære eller svejse

Det påfyldte kølemiddel skal aftappes i passende aftapningscylindre. Systemet skal „gennemskyldes“ med OFN med henblik på at gøre enheden sikker. Processen skal muligvis gentages adskillige gange. Der må ikke bruges trykluft eller oxygen til denne opgave. Gennemskyldning skal foregå ved at bryde vakuummet i systemet med OFN og kontinuerlig påfyldning, indtil driftstrykket opnås, hvorefter indholdet skal udtømmes til atmosfæren. Endelig skal der genopbygges vakuum. Denne proces skal gentages, indtil der ikke er noget kølemiddel i systemet. Når den sidste OFN-påfyldning bruges, skal systemet udluftes ned til atmosfærisk tryk med henblik på at lade arbejde finde sted. Denne operation er yderst vigtig, hvis der skal finde svejsningsarbejde sted på rørføringen. Sørg for, at udløbet til vakuumpumpen ikke befinder sig tæt på nogen antændelseskilder, og at der er ventilation tilgængelig. arbejde på dem.

Etikettering

Udstyret skal etiketteres med oplysninger om, at det er blevet taget ud af drift og tømt for kølemiddel. Etiketten skal dateres og underskrives. Sørg for, at der er etiketter på udstyret med oplysninger om, at udstyret indeholder letantændeligt kølemiddel.

VARMEPUMP TIL SWIMMINGPOOL TYPE PV

Aftapning

Når der aftappes kølemiddel fra et system, enten af hensyn til servicering eller ophør af drift, anbefales det, at alt kølemiddel fjernes sikkert. Ved overførsel af kølemiddel til andre cylindre skal det sikres, at kun passende cylindre til kølemiddelaf tapping anvendes. Sørg for, at det korrekte antal cylindre til hele systemets påfyldningsmængde er tilgængelige. Alle cylindre, der skal bruges, skal være udformet til aftappet kølemiddel og etiketteret i forhold til det pågældende kølemiddel (dvs. specialcylindre til aftapning af kølemidlet). Cylindre skal være komplette med trykudligningsventil og tilknyttede aflukningsventiler i god driftsmæssig stand. Tomme genudvindingscylindre gennemskylles og nedkøles evt., før aftapning fungerer.

Aftapningsudstyret skal være i god driftsmæssig stand, omfatte et sæt instruktioner vedr. det pågældende udstyr og være velegnet til aftapning af letantændelige kølemidler. Yderligere skal der være et kalibreret vægte i god driftsmæssig tilstand til stede. Slangene skal være komplette med lækagefri afbrydningskoblinger og i god driftsmæssig stand. Før brug af aftapningsmaskinen skal det kontrolleres, at den befinder sig i god driftsmæssig tilstand, er blevet korrekt vedligeholdt, og at tilknyttede elektriske komponenter er forseglet med henblik på at forebygge antændelse i tilfælde af kølemiddeludslip. Rådfør dig med producenten, hvis du er i tvivl. Det aftappede kølemiddel skal returneres til kølemiddel-leverandøren i den korrekte aftapningscylinder, og der skal udfærdiges en behørig fragseddel. Undgå at blande kølemidler i aftapningsenheder og navnlig i cylindre. Hvis kompressor eller compressorolier skal fjernes, skal det sikres, at de aftappes til et acceptabelt niveau med henblik på at sikre, at der ikke efterlades letantændeligt kølemiddel i smøremidlet. Aftapningsprocessen skal udføres før returnering af kompressoren til leverandørerne. Kun elektrisk opvarmning af kompressorkabinettet må benyttes med henblik på at accelerere denne proces. Når olie drænes fra et system, skal det gøres med forsigtighed.

Driftsophør

Før denne procedure gennemføres, er det altoverskyggende, at teknikeren er fuldt ud bekendt med udstyret og alle dets detaljer. Det er anbefalet god praksis, at alle kølemidler aftappes sikkert. Før opgaven udføres, skal der tages olie- og kølemiddelprøver i tilfælde af behov for analyse før genbrug af aftappet kølemiddel. Det er altoverskyggende, at der er elektrisk strøm tilgængelig, før opgaven igangsættes. Gør dig bekendt med udstyret og drift af det.

b) Isolér systemet elektrisk.

c) Før proceduren påbegyndes, skal det sikres, at:

- Mekanisk håndteringsudstyr er til stede, hvis det er nødvendigt af hensyn til håndtering af kølemiddelcylindre
- Alt personligt beskyttelsesudstyr er tilgængeligt og benyttes korrekt
- Opsamlingsprocessen konstant superviseres af en kompetent person
- Opsamlingsudstyr og -cylindre er i overensstemmelse med de gældende standarder.

- d) Nedpump kølemiddelsystemet, hvis det er nødvendigt.
- e) Hvis en vakuumpumpe ikke er mulig, skal der oprettes en manifold, således at kølemidlet kan fjernes fra de forskellige systemdele.
- f) Sørg for, at cylinderen befinder sig på vægten, før aftapning finder sted.
- g) Start aftapningsmaskinen, og betjen den i overensstemmelse med producentens instruktioner.
- h) Undgå overpåfyldning af cylinderen. (Maks. påfyldning er 80 % vol. væske).
- i) Undgå at overskride cylinderens maksimale arbejdsdruk – selv midlertidigt.
- j) Når cylindrene er blevet påfyldt, og processen er afsluttet, skal det sikres at cylindrene og udstyret øjeblikkeligt fjernes fra stedet, og alle isoleringsventiler på udstyret lukkes af.
- k) Aftappet kølemiddel må ikke påfyldes et andet kølesystem, medmindre det er blevet rensat og kontrolleret.

Påfyldningsprocedurer Ud over traditionelle påfyldningsprocedurer skal følgende krav overholdes.

- Sørg for, at forurening af forskellige kølemidler ikke finder sted i forbindelse med brug af påfyldningsudstyr. Slangere eller ledninger skal være så korte som muligt med henblik på at minimere brug af det kølemiddel, der er indeholdt i dem.
- Cylindrene skal stå oprejst.
- Sørg for, at kølesystemet jordes før påfyldning af systemet med kølemiddel.
- Etiketter systemet, når påfyldning er gennemført (hvis dette ikke allerede er sket).
- Der skal udvises største omhyggelighed, så kølesystemet ikke overfyldes.

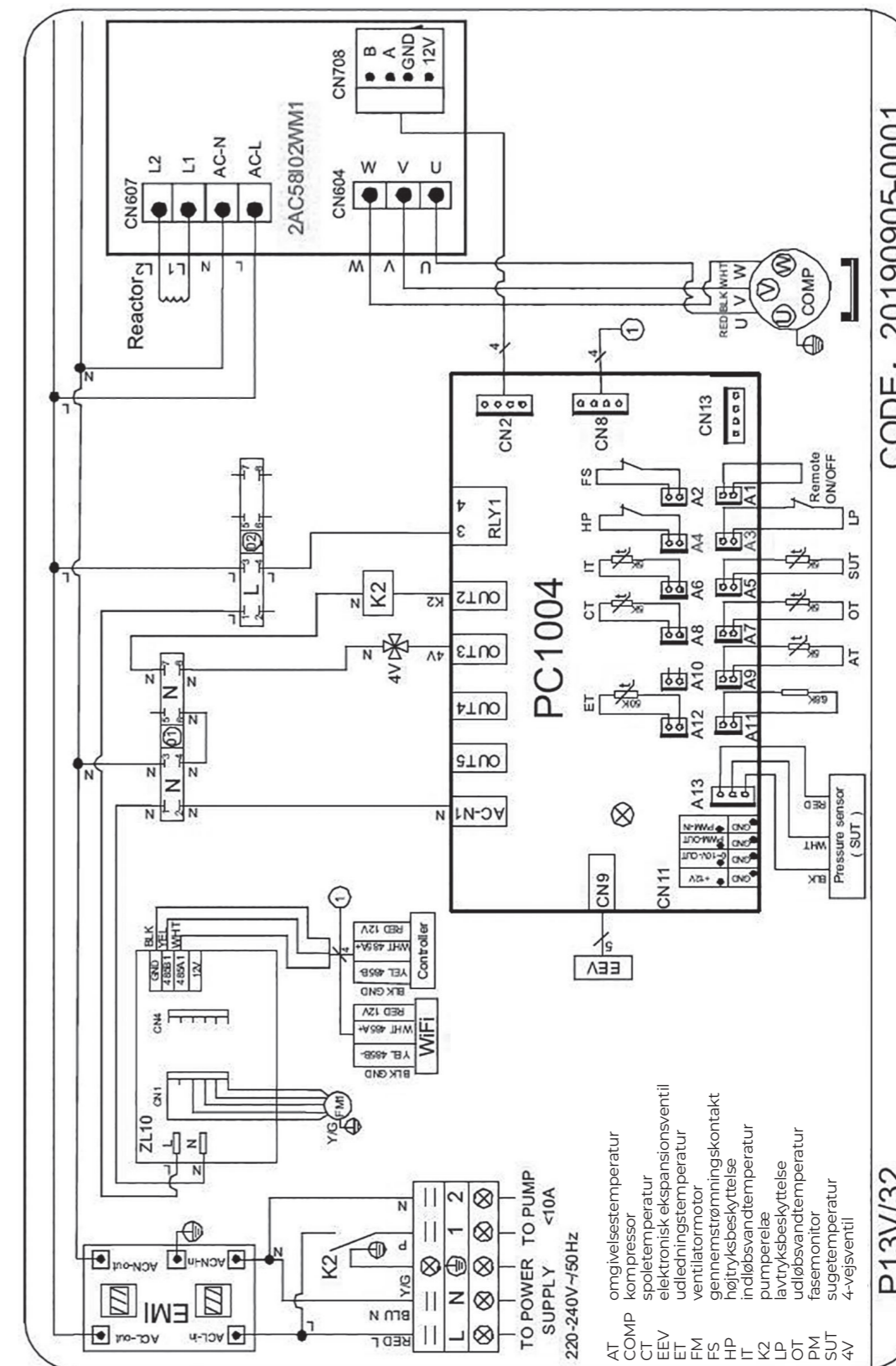
Før genopfyldning af systemet, skal det tryktestes med OFN. Systemet skal lækagetestes ved afsluttet påfyldning men før idriftstagnation. Det skal gennemføres en påfølgende lækagetest, før stedet forlades.

Sikkerhedsledningsmodellen er 5*20_5 A/250 V AC. Og skal imødekomme kravene til eksplosionssikkerhed

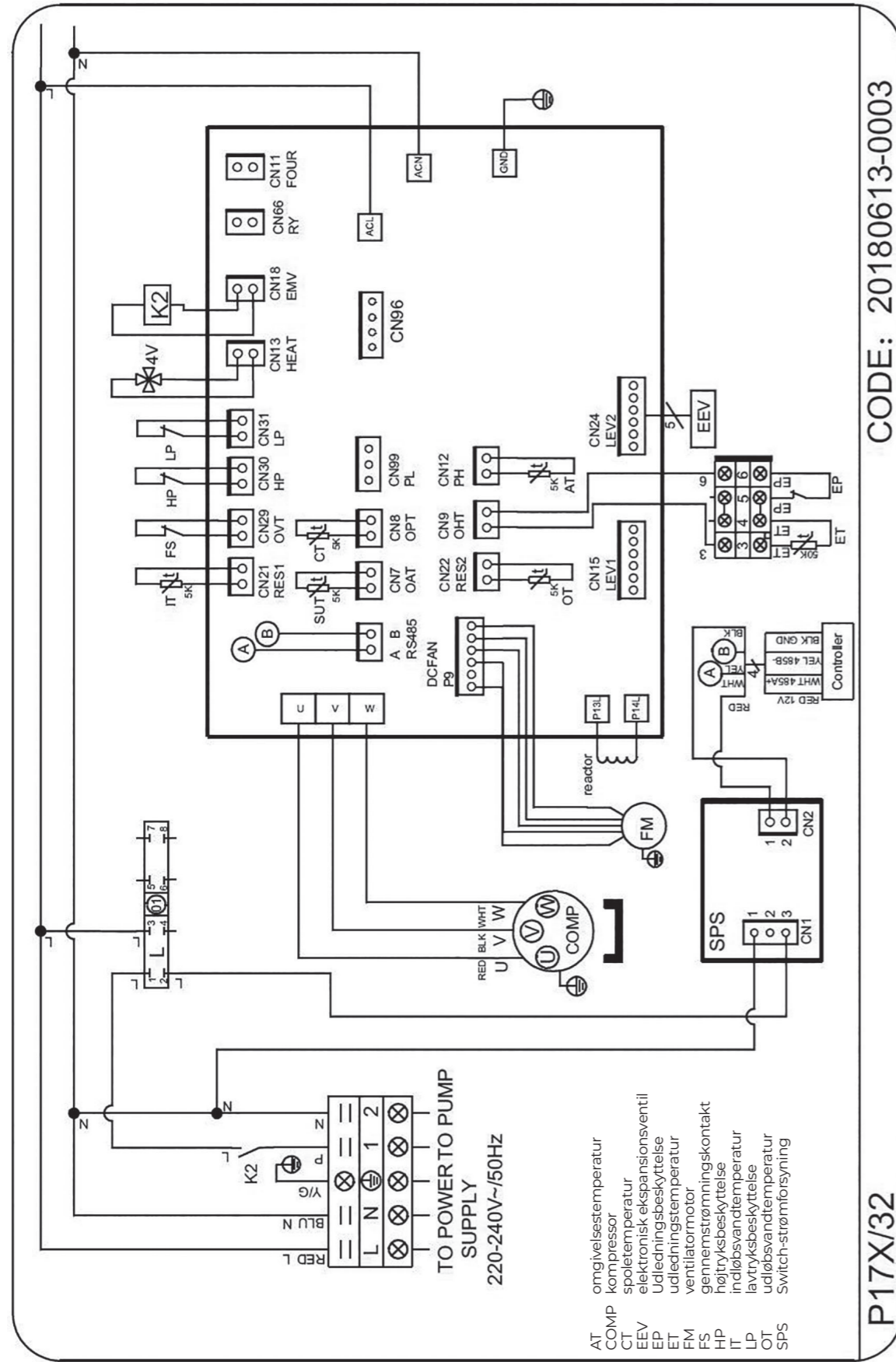
VARMEPUMP TIL SWIMMINGPOOL TYPE PV

6. APPENDIX

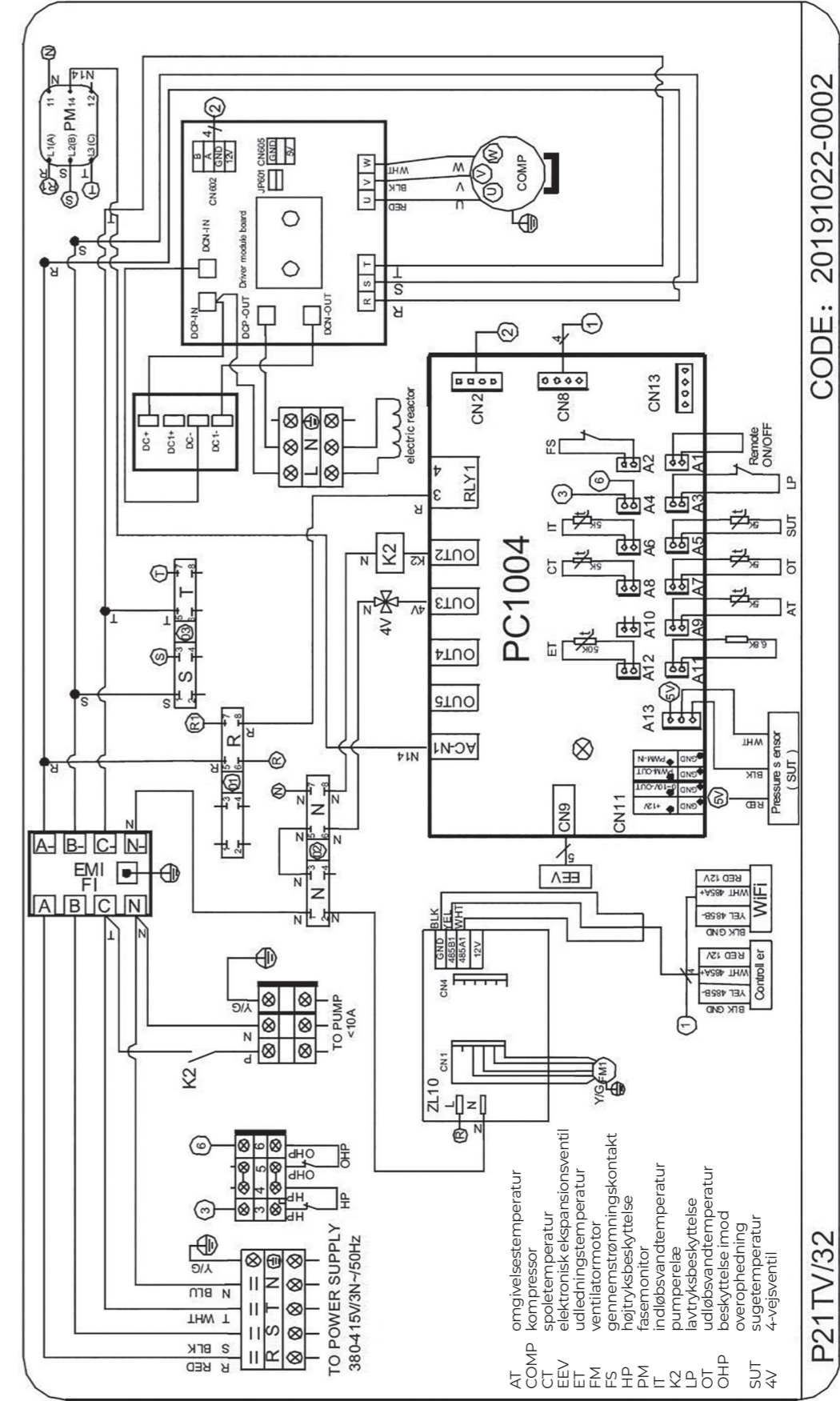
6.1 CIRCUIT DIAGRAM



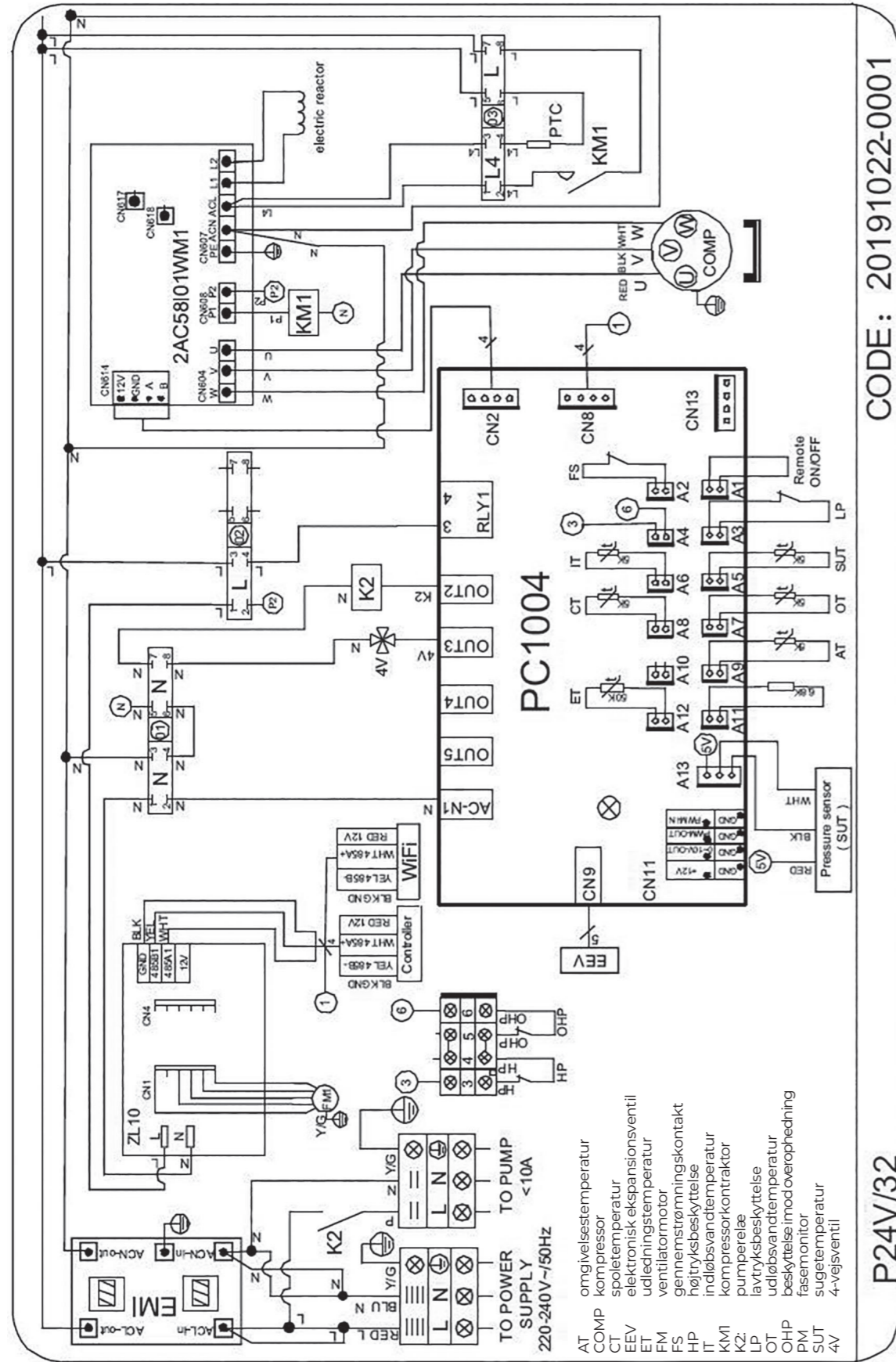
VARMEPUMP TIL SWIMMINGPOOL TYPE PV



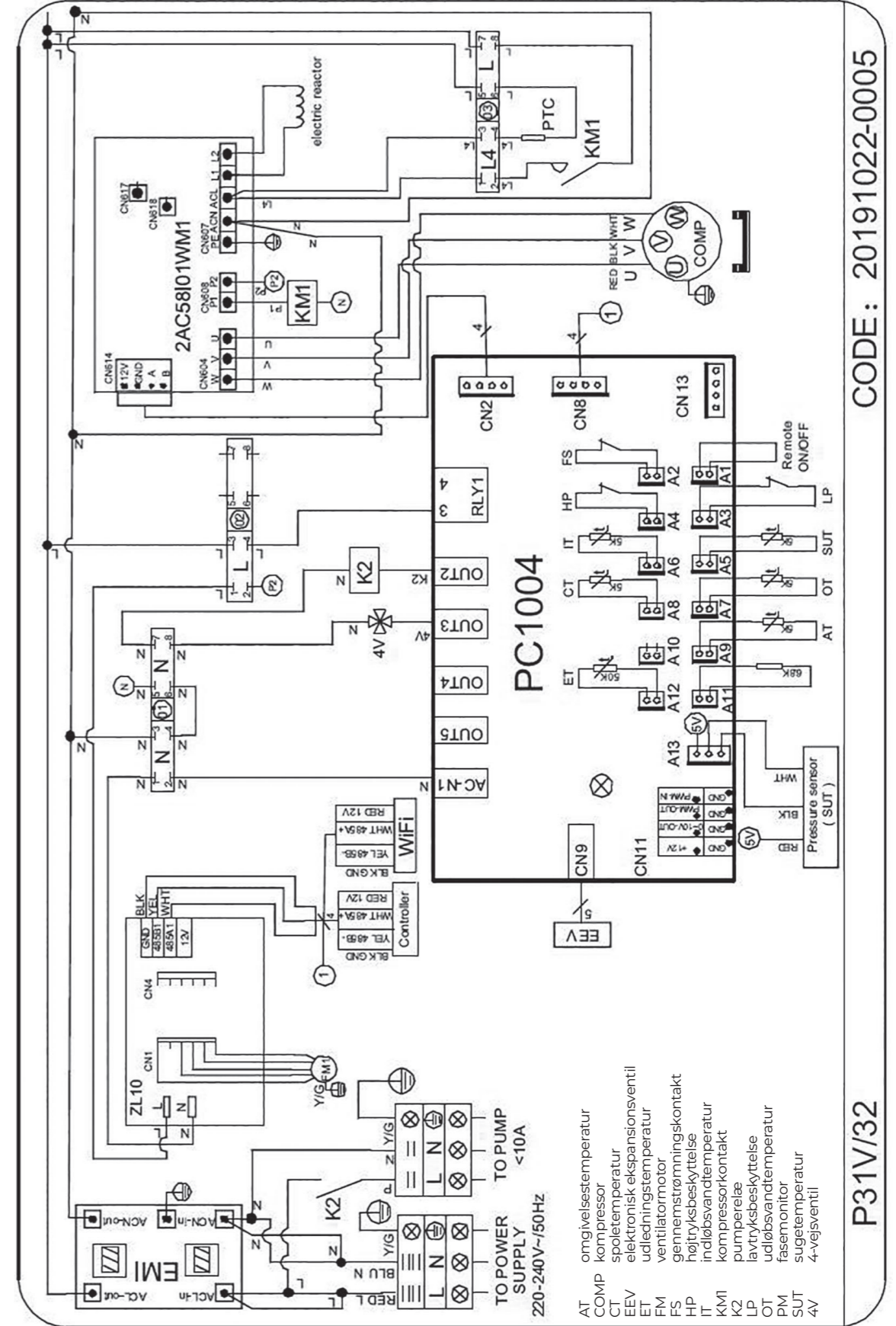
VARMEPUMP TIL SWIMMINGPOOL TYPE PV



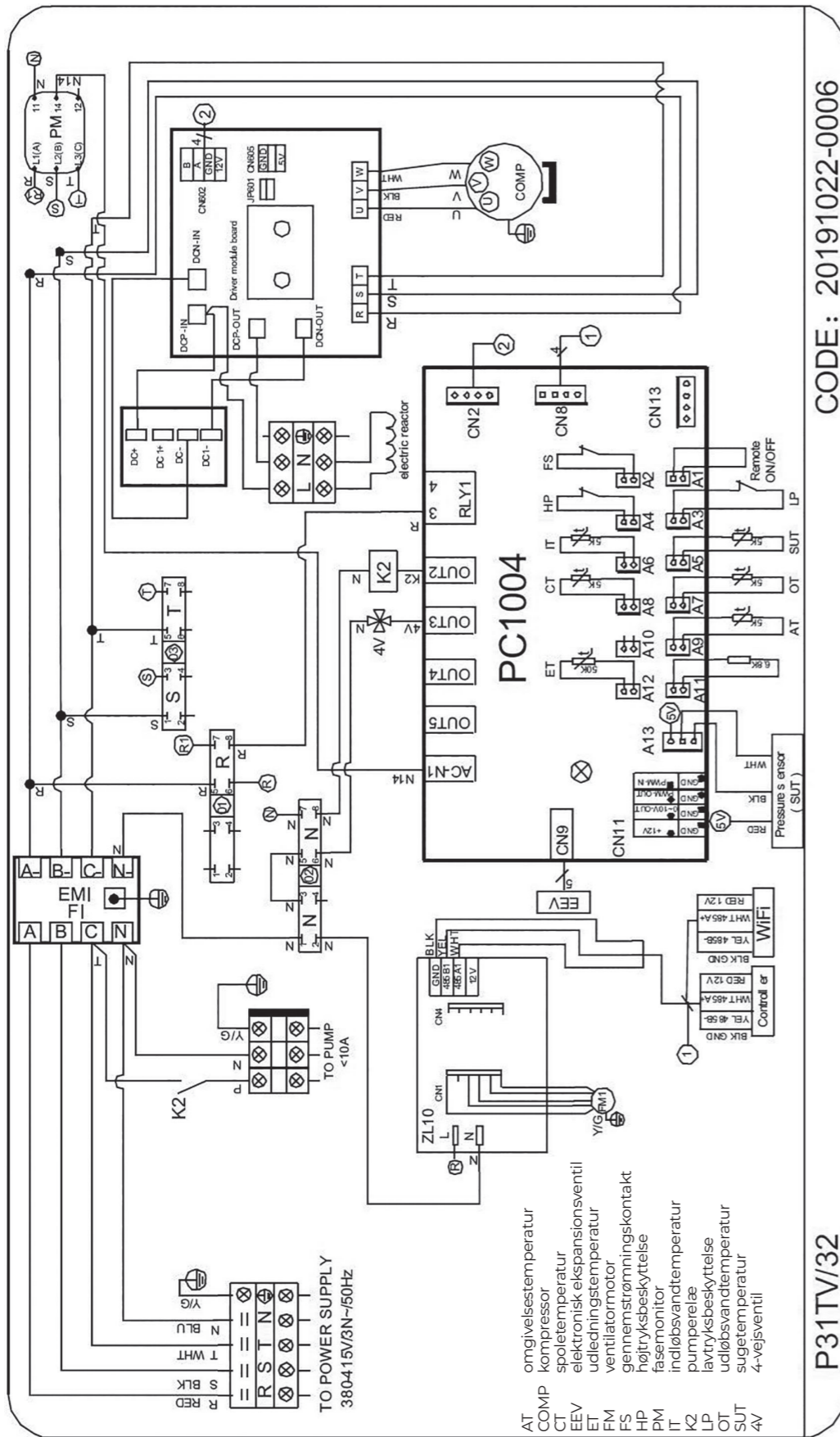
VARMEPUMP TIL SWIMMINGPOOL TYPE PV



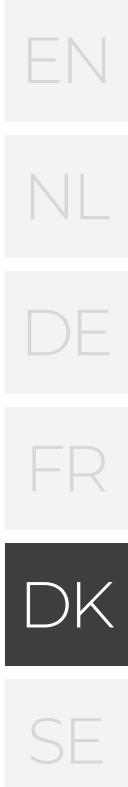
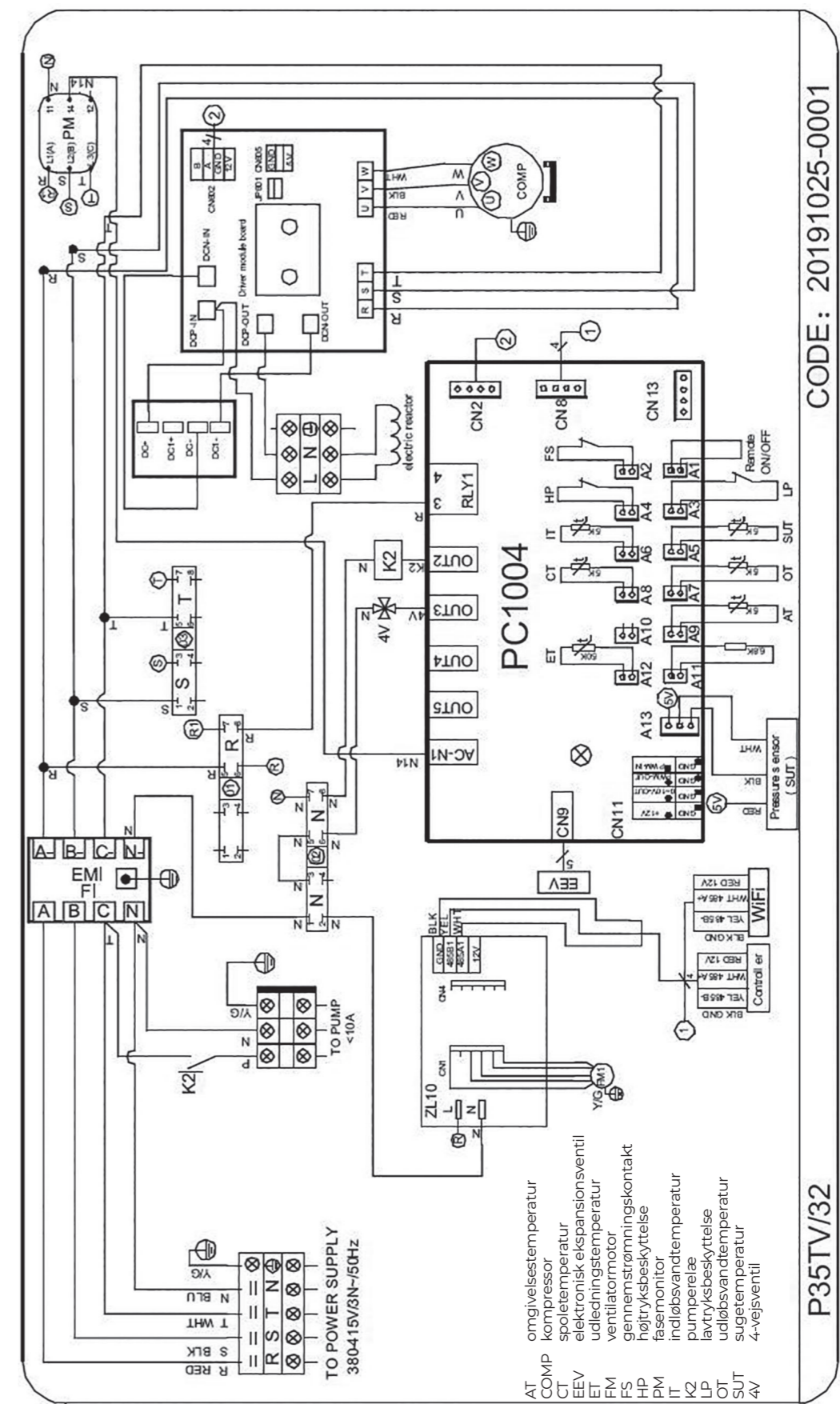
VARMEPUMP TIL SWIMMINGPOOL TYPE PV



VARMEPUMP TIL SWIMMINGPOOL TYPE PV



VARMEPUMP TIL SWIMMINGPOOL TYPE PV



VARMEPUMP TIL SWIMMINGPOOL TYPE PV

6.2 KABELSPECIFIKATION

(1) Enkeltfaset enhed

Maks. strøm iht. mærkeplade	Faseledning	Jordledning	MCB	Krybestrømbeskytter	Signalledning
Maks. 10 A	2×1.5mm ²	1.5mm ²	20A	30 mA mindre end 0,1 sek.	n×0.5mm ²
10~16A	2×2.5mm ²	2.5mm ²	32A	30 mA mindre end 0,1 sek.	
16~25A	2×4mm ²	4mm ²	40A	30 mA mindre end 0,1 sek.	
25~32A	2×6mm ²	6mm ²	40A	30 mA mindre end 0,1 sek.	
32~40A	2×10mm ²	10mm ²	63A	30 mA mindre end 0,1 sek.	
40 ~63A	2×16mm ²	16mm ²	80A	30 mA mindre end 0,1 sek.	
63~75A	2×25mm ²	25mm ²	100A	30 mA mindre end 0,1 sek.	
75~101A	2×25mm ²	25mm ²	125A	30 mA mindre end 0,1 sek.	
101~123A	2×35mm ²	35mm ²	160A	30 mA mindre end 0,1 sek.	
123~148A	2×50mm ²	50mm ²	225A	30 mA mindre end 0,1 sek.	
148~186A	2×70mm ²	70mm ²	250A	30 mA mindre end 0,1 sek.	
186~224A	2×95mm ²	95mm ²	280A	30 mA mindre end 0,1 sek.	

(2) Trefaset enhed

Maks. strøm iht. mærkeplade	Faseledning	Jordledning	MCB	Krybestrømbeskytter	Signalledning
Maks. 10 A	3×1.5mm ²	1.5mm ²	20A	30 mA mindre end 0,1 sek.	n×0.5mm ²
10~16A	3×2.5mm ²	2.5mm ²	32A	30 mA mindre end 0,1 sek.	
16~25A	3×4mm ²	4mm ²	40A	30 mA mindre end 0,1 sek.	
25~32A	3×6mm ²	6mm ²	40A	30 mA mindre end 0,1 sek.	
32~40A	3×10mm ²	10mm ²	63A	30 mA mindre end 0,1 sek.	
40 ~63A	3×16mm ²	16mm ²	80A	30 mA mindre end 0,1 sek.	
63~75A	3×25mm ²	25mm ²	100A	30 mA mindre end 0,1 sek.	
75~101A	3×25mm ²	25mm ²	125A	30 mA mindre end 0,1 sek.	
101~123A	3×35mm ²	35mm ²	160A	30 mA mindre end 0,1 sek.	
123~148A	3×50mm ²	50mm ²	225A	30 mA mindre end 0,1 sek.	
148~186A	3×70mm ²	70mm ²	250A	30 mA mindre end 0,1 sek.	
186~224A	3×95mm ²	95mm ²	280A	30 mA mindre end 0,1 sek.	

Når enheden skal installeres udendørs, skal der benyttes et UV-bestandigt kabel.

6.3 SAMMENLIGNINGSTABEL OVER KØLEMIDLETS MÆTNINGSTEMPERATUR

Tryk (MPa)	0	0.3	0.5	0.8	1	1.3	1.5	1.8	2	2.3
Temperatur (R410A)(°C)	-51.3	-20	-9	4	11	19	24	31	35	39
Temperatur (R32)(°C)	-52.5	-20	-9	3.5	10	18	23	29.5	33.3	38.7
Tryk (MPa)	2.5	2.8	3	3.3	3.5	3.8	4	4.5	5	5.5
Temperatur (R410A)(°C)	43	47	51	55	57	61	64	70	74	80
Temperatur (R32)(°C)	42	46.5	49.5	53.5	56	60	62	67.5	72.5	77.4



NOTER

INNEHÅLL

1. FÖRORD	176
2. SPECIFIKATION	178
2.1 Prestandadata för Poolens värmepumpenhet	178
2.2 Måtten för Pool värmepumpen	182
3. INSTALLATION OCH ANSLUTNING	183
3.1 Installationsillustration	183
3.2 Pool Värmepump placering	184
3.3 Hur nära till din Pool?	184
3.4 Rördragning för pool värmepumpen	184
3.5 Pool Värmepumpar elektrisk ledningsdragning	185
3.6 Inledande start av enheten	185
4. DRIFT OCH ANVÄNDNING	186
4.1 Introduktion av gränssnitt för färgskärmtrådkontroller	186
4.2 Introduktion av färgskärmtrådkontrollfunktion	186
4.3 Parameterlista och uppdelningstabell	190
4.4 Gränssnittsdragning	192
5. MAINTENANCE AND INSPECTION	196
6. APPENDIX	199
6.1 Krets diagram	199
6.2 Kabelspecifikation	206
6.3 Jämförelsetabell för kylmedel temperatur	206

Fel och tekniska ändringar kan komma att ändras, reproduceras såväl som elektronisk duplicering endast med vårt skriftliga tillstånd.

© NORSUP

Utgåva: 11.2020

DEL NR.	TYP		
7026965	P13V/32	7026970	P24TV/32
7026966	P17V/32	7026971	P31V/32
7026967	P21V/32	7026972	P31TV/32
7026968	P21TV/32	7026973	P35V/32
7026969	P24V/32	7026974	P35TV/32

VÄRMEPUMP FÖR SIMBASSÄNG TYP PV

1. FÖRORD

För att kunna ge våra kunder kvalitet, tillförlitlighet och mångsidighet, har denna produkt tillverkats efter strikta produktionsstandarder. Denna manual innehåller all nödvändig information som behövs om installation, felsökning, kassering och underhåll. Läs denna handbok noggrant innan du öppnar eller underhåller enheten. Tillverkaren av den här produkten kommer inte att hållas ansvarig om någon skadas eller om enheten skadas, som ett resultat av en felaktig installation, felsökning eller onödigt underhåll. Det är viktigt att anvisningarna i denna handbok alltid följs. Enheten måste installeras av kvalificerad personal.

Enheten kan endast repareras av ett kvalificerat installationscenter, av personal eller en auktoriserad återförsäljare.

Underhåll och drift av enheten måste utföras i enlighet med den rekommenderade tiden och frekvensen som angivet i denna manual.

Använd endast äkta reservdelar. Underlåtenhet att följa dessa rekommendationer kommer att ogiltigförklara garantin.

Poolens värmepumpenhet värmer upp poolvattnet och håller temperaturen konstant. För en delad enhet. Inomhusenheten kan döljas diskret eller till häften för ett luxuöst hus. Vår värmepump har följande egenskaper:

1 Hållbar

Värmeväxlaren är tillverkad av ett PVC & Titanium-rör som kan motstå en långvarig exponering av poolvattnet.

2 Installations flexibilitet

Enheten kan installeras både inomhus och utomhus.

3 Tyst drift

Enheten består av en effektiv roterande / rullande kompressor och en lågbrusig fläktmotor, vilket garanterar dess tysta drift.

4 Avancerad kontroll

Enheten innehåller en mikrokontroller som gör det möjligt att ställa in alla parametrar. Driftstatus kan visas på LCD-trådkontrollen. Fjärrkontroll kan väljas som ett framtida alternativ.

poolen kopplas oberoende av din värmepump. Om du ansluter din poolpump till värmepumpen så kommer det att resultera att den stängs av när poolvattnet har uppnått inställd vattentemperatur. Koppla bara ihop poolpumpen genom värmepumpen om du bara har en poolpump för uppvärmning som är oberoende av filtreringssystem för poolen. Använd inte medel för att påskynda avfrostningsprocessen eller för att rengöra, annat än vad som är rekommenderat av tillverkaren. Apparaten ska förvaras i ett rum utan närvaron av antändningskällor (till exempel: öppna lågor, en gasanläggning eller en elektrisk värmeapparat.) Borra inte igenom eller bränn. Var medveten om att köldmedier kanske inte luktar. Apparaten ska installeras, användas och placeras i ett rum med en golvyta större än X m².

VARNING

Tillverkaren kan ge ytterligare lämpliga exempel eller ge ytterligare information om lukten på kylmedlet.

• Denna apparat kan användas av barn från 8 år och uppåt och av personer som har nedsatt fysisk, sensorisk eller mental förmåga eller brist på erfarenhet och kunskap om de har fått övervakning eller instruktioner om användning av apparaten på ett säkert sätt och förstår de faror som kan förekomma. Barn ska inte leka med apparaten. Rengöring och användarunderhåll får inte göras av barn utan övervakning.

• Om nätsladden är skadad måste den bytas ut av tillverkaren, deras serviceagent eller andra liknande kvalificerade personer för att undvika fara.

• Apparaten ska installeras i enlighet med nationella föreskrifter för anslutning.

• Använd inte din luftkonditionering i ett vått rum, till exempel ett badrum eller tvättstuga.

• Innan du får tillgång till terminalerna måste alla matarkretsar kopplas bort.

VÄRMEPUMP FÖR SIMBASSÄNG TYP PV

• En flerpolig koppling enhet som har minst 3 mm spelrum i alla poler, och har en läckström som kan överstiga 10 mA, en jordfelsbrytare (RCD) som har en märkströmsström som inte överstiger 30 mA, och fränkoppling måste inkluderas i den fasta ledningen i enlighet med reglerna för ledningsanslutning.

• Använd inte medel för att påskynda avfrostningsprocessen eller för att rengöra, annat än vad som är rekommenderat av tillverkaren.

• Apparaten ska förvaras i ett rum utan närvaron av antändningskällor (till exempel: öppna lågor, en gasanläggning eller en elektrisk värmeapparat.)

• Borra inte igenom eller bränn.

• Apparaten ska installeras, användas och placeras i ett rum med en golvyta större än X m². Var medveten om att köldmedier kanske inte luktar. Installationen av rör-arbetet ska hållas till ett minimum på X m². Utrymmen för rör till kylmedlet ska överensstämma med nationella gasbestämmelser. Service ska endast utföras enligt tillverkarens rekommendationer. Apparaten ska förvaras i ett väl ventilerat utrymme där rummets storlek motsvarar det område som anges för drift av apparaten. Alla arbetssätt som påverkar säkerhetsanordningarna får endast utföras av kompetent personal.

• Transport av utrustning som innehåller brandfarliga kylmedel Överensstämmelse med transportbestämmelserna Märkning av utrustning med skyltar Överensstämmelse med lokala föreskrifter Kassering av utrustning som innehåller brandfarliga kylmedel Överensstämmelse med nationella föreskrifter Förvaring av utrustning / apparater Förvaring av utrustningen ska ske i enlighet med tillverkarens anvisningar. Förvaring av packad (osåld) utrustning Förvaringspaketets skydd bör vara så konstruerat så att inte mekaniska skador på utrustningen inuti förpackningen inte kommer att orsaka en läcka av kylmedlet. Det maximala antalet delar av utrustningen som tillåts lagras tillsammans bestäms av lokala föreskrifter.s

FÖRSIKTIGHET OCH VARNING

1. Enheten kan endast repareras av ett kvalificerat team från ett installationscenter, eller av en auktoriserad återförsäljare. (För Europa marknaden)
2. Denna apparat är inte avsedd för användning av personer (inklusive barn) med nedsatt fysisk sensorisk eller mental förmåga, eller som har brist på erfarenhet och kunskap, såvida de inte har fått översyn eller instruktioner om användning av apparaten av en person som ansvarar för deras säkerhet (För Europa marknaden) Barn bör övervakas så att de inte leker med apparaten.
3. Se till att apparaten och strömanslutningen har god jordning, annars kan det orsaka elektriska stötar.
4. Om nätsladden är skadad måste den bytas ut av tillverkaren eller vår serviceagent eller andra liknande kvalificerade personer för att undvika fara.
5. Direktiv 2002/96 / EG (WEEE): Symbolen som visar en korsad avfallsbehållare som är placera under apparaten indikerar att denna produkt vid slutet av dess livslängd, måste hanteras separat från hushållsavfallet, måste föras till ett återvinningscenter för elektriska och elektroniska apparater eller återlämnas till återförsäljaren när du köper en motsvarande apparat.
6. Direktiv 2002/95 / EG (RoH): Denna produkt överensstämmer med direktiv 2002/95 / EG (RoH) angående restriktioner för användning av skadliga ämnen i elektriska och elektroniska apparater.
7. Apparaten KAN INTE installeras nära brandfarlig gas. Om det finns något läckage av gas kan en brand inträffa.
8. Se till att finns en strömbrytare för apparaten, en brist på en sådan kan leda till elektriska stötar eller brand.
9. Värmepumpen som finns i enheten är utrustad med ett överbelastningskyddssystem. Det tillåter inte enheten att starta förrän minst tre minuter efter ett tidigare stopp.
10. Enheten kan endast repareras av kvalificerad personal från ett installationscenter, eller av en auktoriserad återförsäljare. för Nordamerika marknaden)
11. Installation får endast utföras i enlighet med NEC / CEC av behörig person. för Nordamerika marknaden)
12. ANVÄND LÄMPLIGA MATNINGSLEDNINGAR FÖR 75°C.
13. Varning: Värmeväxlare med en enda vägg, inte lämplig för dricksvattenanslutning.

VARNING

Det är rekommenderat att din pump för filtrering av

VÄRMEPUMP FÖR SIMBASSÄNG TYP PV

2. SPECIFIKATION

2.1 PRESTANDADATA FÖR POOLENS VÄRMEPUMPENHET

*** KYLMEDEL R32

ENHET		P13V/32	P17V/32	P21V/32
Del no.		7026965	7026966	7026967
Värmekapacitet (A27/W26)	kW	3.7-13.5	3.4-17.0	6.2-21.3
	Btu/h	12580-45900	11560-57800	21080-72420
COP		13.4-3.7	13.0-6.6	15.6-7.3
Värmekapacitet (A15/W26)	kW	2.7-10.0	2.7-12.7	6.5-16.3
	Btu/h	9180-34000	9180-43180	22100-55420
COP		6.2-5.0	6.8-5.0	7.0-5.4
Värmeeffektingång	kW	0.23-2.9	0.31-3.54	0.43-4.55
Strömförsörjning		220-240V /50Hz	220-240V /50Hz	220-240V /50Hz
Kompressorkvantitet		1	1	1
Kompressor		roterande	roterande	roterande
Fläkt nummer		1	1	1
Buller	dB(A)	44-54	46-56	48-56
Vatten anslutning	mm	50	50	50
Vatten flödesvolym	m ³ /h	4.2	5.5	7
Vattentrycksfall (max)	kPa	5	9	16
Enhetens nettodimension (L / B / H)	mm	Se ritningen för apparaten		
Enhetens leveransdimension (L / B / H)	mm	paketetikett		
Nettovikt	kg	se typskylten		
Fraktvikt	kg	se paketetiketten		

uppvärmning: Uteluft temp:

Uteluft temp: 27 °C / 24,3 °C, Inloppsvattentemperatur: 26 °C
Uteluft temp: 15 °C / 12 °C, Inloppsvattentemperatur: 26 °C

Driftsområde:

Omgivande temperatur: -15 43°C
Vattentemperatur: 9-40°C

VÄRMEPUMP FÖR SIMBASSÄNG TYP PV

*** KYLMEDEL R32

ENHET		P21TV/32	P24V/32	P24TV/32
Del no.		7026968	7026969	7026970
Värmekapacitet (A27/W26)	kW	6.3-21.1	5.6-24.9	5.5-24.3
	Btu/h	21420-71740	19040-84600	18700-82620
COP		14.8-7.6	15.2-6.4	14.2-6.6
Värmekapacitet (A15/W26)	kW	4.5-16.3	4.4-18.7	4.1-18.8
	Btu/h	15300-55420	14960-63580	13940-63920
COP		7.4-5.6	7.1-5.1	7.1-5.1
Värmeeffektingång	kW	0.43-5.2	0.47-5.3	0.47-5.7
Strömförsörjning		380V/3N /50Hz	220-240V /50Hz	380V/3N /50Hz
Kompressorkvantitet		1	1	1
Kompressor		roterande	roterande	roterande
Fläkt nummer		1	1	1
Buller	dB(A)	48-56	50-56	50-56
Vatten anslutning	mm	50	50	50
Vatten flödesvolym	m ³ /h	7.1	9.0	9.0
Vattentrycksfall (max)	kPa	16	16	16
Enhetens nettodimension (L / B / H)	mm	Se ritningen för apparaten		
Enhetens leveransdimension (L / B / H)	mm	paketetikett		
Nettovikt	kg	se typskylten		
Fraktvikt	kg	se paketetiketten		

uppvärmning: Uteluft temp:

Uteluft temp: 27 °C / 24,3 °C, Inloppsvattentemperatur: 26 °C
Uteluft temp: 15 °C / 12 °C, Inloppsvattentemperatur: 26 °C

Driftsområde:

Omgivande temperatur: -15 43°C
Vattentemperatur: 9-40°C

EN

NL

DE

FR

DK

SE

VÄRMEPUMP FÖR SIMBASSÄNG TYP PV

*** KYLMEDEL R32

ENHET		P31V/32	P31TV/32	P35TV/32
Del no.		7026971	7026972	7026974
Värme kapacitet (A27/W26)	kW	8.5-30.6	8.8-31.2	7.8-35.5
	Btu/h	28900-104040	29920-106080	26520-120700
COP		14.3-6.3	15.7-6.1	12.2-5.2
Värme kapacitet (A15/W26)	kW	6.4-23.8	6.5-23.6	6.4-27.5
	Btu/h	21760-80920	22100-80240	21080-93500
COP		7.8-5.0	8.2-5.0	6.8-4.1
Värmeeffektingång	kW	0.53-7.0	0.55-7.0	0.66-8.95
Strömförsörjning		220-240V/50Hz	380V/3N /50Hz	220-240V /50Hz
Kompressorkvantitet		1	1	1
Kompressor		roterande	roterande	roterande
Fläkt nummer		1	1	1
Buller	dB(A)	50-57	50-57	53-59
Vatten anslutning	mm	50	50	50
Vatten flödesvolym	m ³ /h	12.5	12.5	14.6
Vattentrycksfall (max)	kPa	23	23	23
Enhetens nettodimension (L / B / H)	mm	Se ritningen för apparaten		
Enhetens leveransdimension (L / B / H)	mm	paketetikett		
Nettovikt	kg	se typskylten		
Fraktvikt	kg	se paketetiketten		

uppvärmning: Uteluft temp:

Uteluft temp: 27 °C / 24,3 °C, Inloppsvattentemperatur: 26 °C
Uteluft temp: 15 °C / 12 °C, Inloppsvattentemperatur: 26 °C

Driftsområde:

Omgivande temperatur: -15-43°C
Vattentemperatur: 9-40°C

VÄRMEPUMP FÖR SIMBASSÄNG TYP PV

*** KYLMEDEL R32

ENHET		P35V/32
Del no.		7026973
Värme kapacitet (A27/W26)	kW	7.1-35.0
	Btu/h	24140-119000
COP		11.4-5.1
Värme kapacitet (A15/W26)	kW	6.4-27.5
	Btu/h	21760-93500
COP		6.5-4.1
Värmeeffektingång	kW	0.64-8.6
Strömförsörjning		220-240V /50Hz
Kompressorkvantitet		1
Kompressor		roterande
Fläkt nummer		1
Buller	dB(A)	53-59
Vatten anslutning	mm	50
Vatten flödesvolym	m ³ /h	14.6
Vattentrycksfall (max)	kPa	23
Enhetens nettodimension (L / B / H)	mm	Se ritningen för apparaten
Enhetens leveransdimension (L / B / H)	mm	paketetikett
Nettovikt	kg	se typskylten
Fraktvikt	kg	se paketetiketten

uppvärmning: Uteluft temp:

Uteluft temp: 27 °C / 24,3 °C, Inloppsvattentemperatur: 26 °C
Uteluft temp: 15 °C / 12 °C, Inloppsvattentemperatur: 26 °C

Driftsområde:

Omgivande temperatur: -15-43°C
Vattentemperatur: 9-40°C

EN

NL

DE

FR

DK

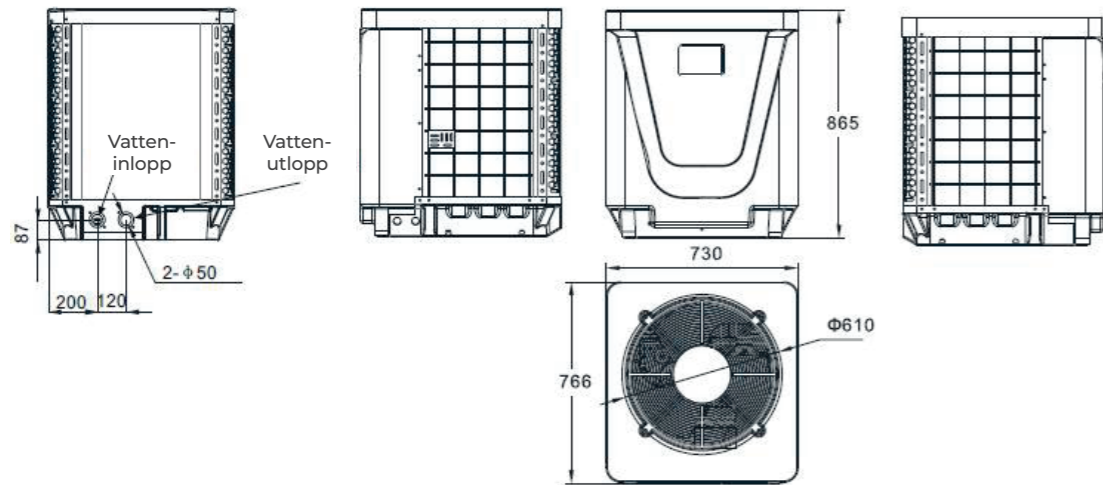
SE

VÄRMEPUMP FÖR SIMBASSÄNG TYP PV

2.2 MÅTTEN FÖR POOL VÄRMEPUMPEN

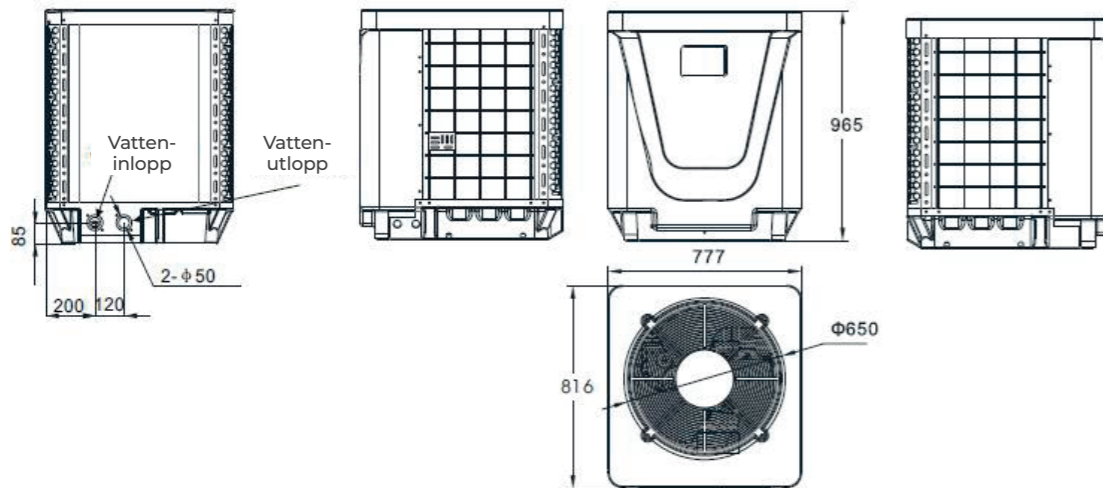
Enhet: P13V/32 /P17V/32

Enhet mm



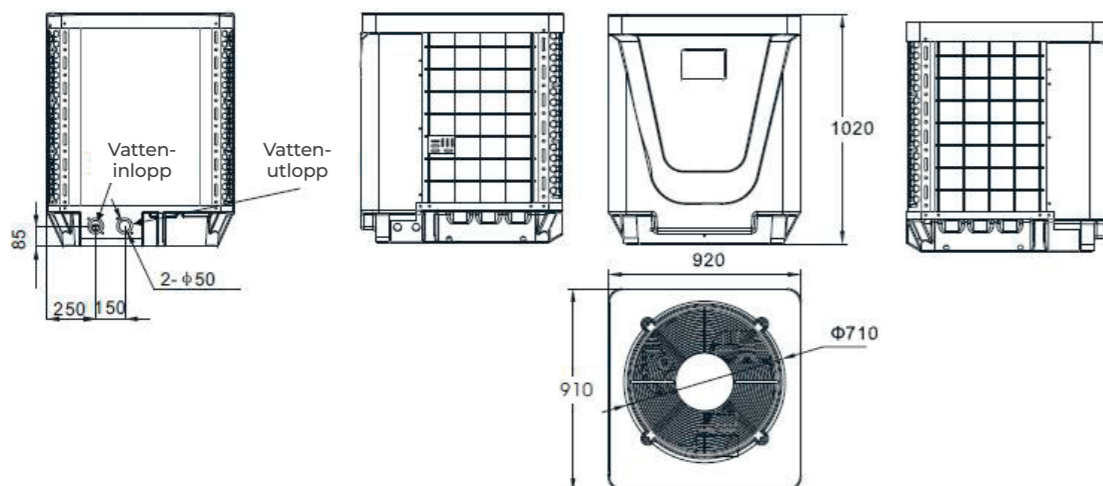
Enhet: P21V/32 /P21TV/32/P24V/32 /P24TV/32

Enhet mm



Enhet: P31V/32 /P31TV/32/P35V/32/P35TV/32

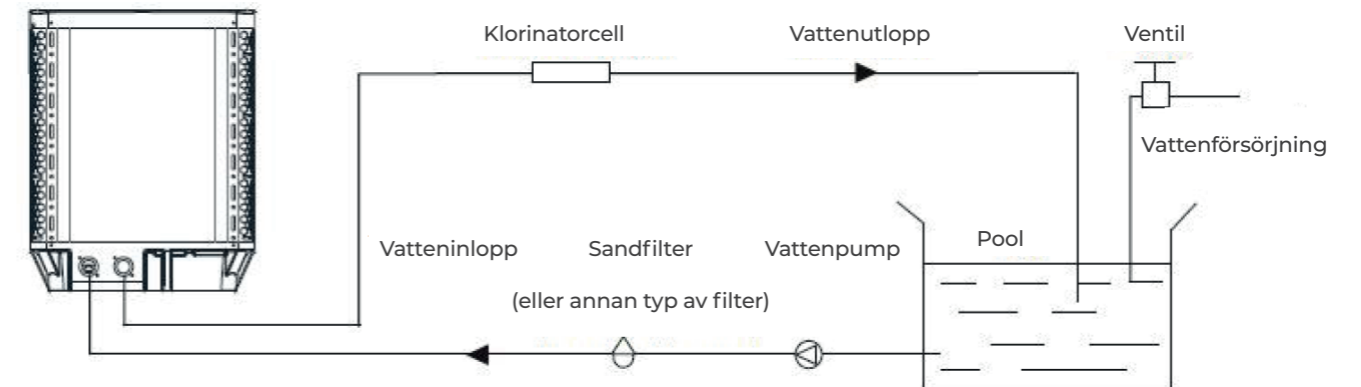
Enhet mm



VÄRMEPUMP FÖR SIMBASSÄNG TYP PV

3. INSTALLATION OCH ANSLUTNING

3.1 INSTALLATIONSILLUSTRATION



Installations detaljer

Fabriken tillhandahåller endast huvudenheten och vattenenheten; de andra artiklarna i illustrationen är nödvändiga reservdelar för vattensystemet, som levereras av användare eller installatören.

VAR UPPMÄRKSAM:

Vänligen följ dessa stegen vid första användning.

1. Öppna ventilen och fyll på vatten.
2. Se till att pumpen och inloppsroret har fyllts med vatten.
3. Stäng ventilen och starta enheten.

Var uppmärksam

Det är nödvändigt att vatteninledningen är placerad högre än ytan på poolen.

Det schematiska schemat är endast avsett för referens. Kontrollera vatteninlopp / utloppetiketten på värmepumpen vid installation av VVS.

Kontroller är monterad på väggen.

VÄRMEPUMP FÖR SIMBASSÄNG TYP PV

3.2 POOL VÄRMEPUMP PLACERING

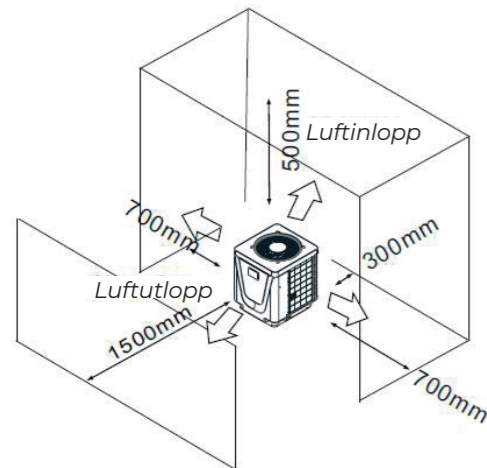
Enheten kommer att fungera bra på alla utomhusplatser förutsatt att följande tre faktorer presenteras:

1. Frisk luft - 2. Elektricitet - 3. Pool filter rörledning

Enheten kan installeras praktiskt taget var som helst utomhus. För inomhus pooler kontakta leverantören. Till skillnad från en gasvärmare har den inga drag- eller pilotljusproblem i ett blåsigt område.

Placera INTE enheten i ett slutet område med en begränsad luftvolym, där den utsläppta luften kommer att återcirkuleras.

Placera INTE enheten i närheten av buskar som kan blockera luftinloppet. Dessa platser hindrar enheten att få en kontinuerlig frisk luftkälla som minskar effektiviteten och kan förhindra en tillräcklig leverans av värme.



3.3 HUR NÄRA TILL DIN POOL?

Normalt installeras pool värme pumpen inom 7.5 meter från poolen. Ju längre avstånd från poolen, desto större värmeförlust uppkommer från rörledningen. I de flesta fallen är rörledningen nergrävd. Därigenom blir värmeförlusten minimal för längder på upp till 15 meter (15 meter till och från pumpen = 30 meter totalt), såvida inte marken är våt eller vattennivån är hög. En mycket grov uppskattning av värmeförlusten per 30 meter är 0,6 kW-timme (2000BTU) för varje 5 °C skillnad i temperatur mellan pool vattnet och marken som omger röret, vilket motsvarar en ökning av cirka 3% till 5% i körtid.

3.4 RÖRDRAGNING FÖR POOL VÄRMEPUMPEN

Värmepumparna för poolen kräver inga speciella VVS-arrangemang utom bypass (ställ in flödes hastigheten enligt typskylten) såvida värmeväxlare av titan används. Tryckfallet på vattnet är mindre än 10 kPa vid max. Flödes hastighet. Eftersom det inte finns någon kvarvarande värme eller temperatur från en låga. Enheten behöver inte rörledningar gjorda av koppa till en kylfläns. PVC-rör kan gå rakt in i enheten.

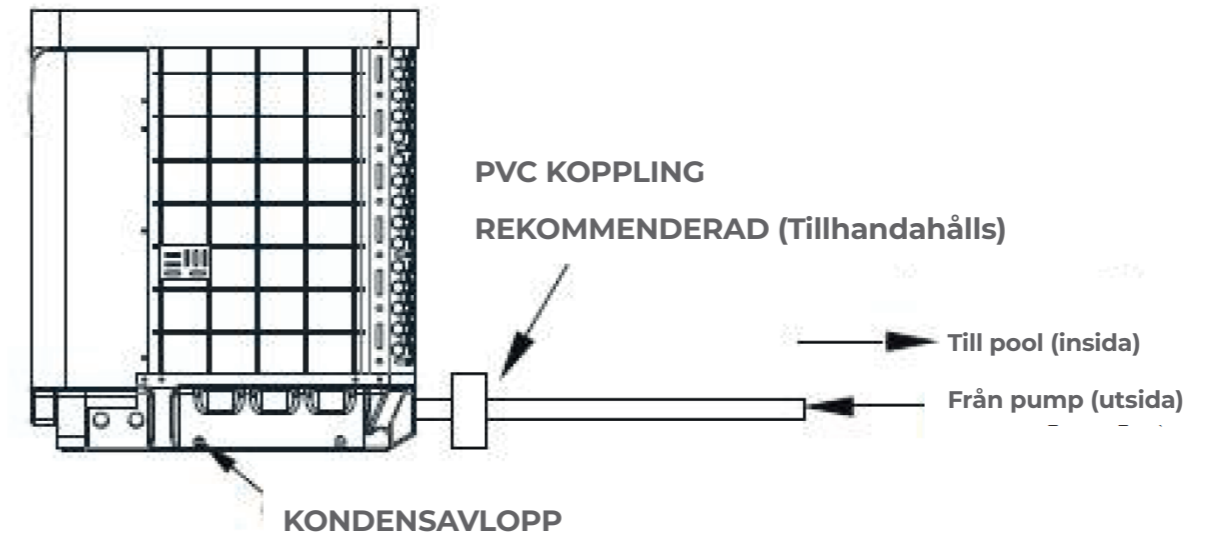
Plats: Anslut enheten i poolpumpens utloppsledning (retur) nedströms till alla filter- och poolpumpar och uppströms om klorinatorer, ozonatorer eller kemiska pumpar. Standardmodellen har glidlimbeslag som accepterar 32 mm eller 50 mm PVC-rör för anslutning till pool- eller spa-filtreringsrör. Genom att använda en 50 NB till 40NB kan du använda rör 40NB. Tänk noga på att lägga till ett snabbkopplingsbeslag vid enhetens in- och utlopp för att möjliggöra en enkel tömning av enheten för vintern och för att underlätta åtkomst om service krävs.

Kondensation: Eftersom värmepumpen kylvärmer luften cirka 4-5 grader, kan vatten kondensera på den hästskeformade förångaren. Om den relativa luftfuktigheten är mycket hög kan det bli så mycket som flera liter i timmen. Vattnet kommer att rinna ner längs fenorna i bottenplattan och rinna ut genom den hullingförsedda plastkondens avtappningen på sidan av bottenplattan. Denna armatur är utformad för att acceptera 20mm genomskinliga vinylrör som kan skjutas på för hand och anslutas till ett lämpligt avlopp. Man kan lätt missta kondensation för ett läckage inuti enheten.

OBS

Ett snabbt sätt att kontrollera om vattnet är kondensation är att stänga av enheten och hålla poolpumpen igång. Om vattnet slutar rinna ut ur basskålen är det kondens. ETT ÄVEN SNABBARE SÄTT ÄR ATT TESTA DRÄNERINGSVATTNET FÖR KLOR - om det inte finns någon klor närvarande, så är det kondens.

VÄRMEPUMP FÖR SIMBASSÄNG TYP PV



3.5 POOL VÄRMEPUMPAR ELEKTRISK LEDNINGSDRAGNING

NOTERA

Även om enhetens värmeväxlare är elektriskt isolerad från resten av enheten, förhindrar den enkelt flödet av elektricitet till eller från poolvattnet.

Jordning av enheten krävs fortfarande för att skydda mot kortslutningar inuti enheten. Bonding krävs också. Enheten har en separat inbyggd kopplingsbox med en standard elektrisk ledningsnippel på plats. Ta bara bort skruvarna och frontpanelen, mata in dina matningsledningarna genom ledningsnippeln och trådmutter till de elektriska matningsledningarna till de tre anslutningarna som redan finns i kopplingsboxen (fyra anslutningar i tre fas). För att slutföra den elektriska anslutningen ansluter du värmepumpen med elektrisk ledning, UF-kabel eller andra lämpliga anordningar som anges (som tillåts av lokala elektriska myndigheter) till en dedicerad växelströmsförsörjningskrets som är utrustad med rätt strömbrytare, fränkoppling eller säkringsskydd för tidsfördröjning. Koppla från - Ett fränkopplingsorgan (strömbrytare, smält eller osmält koppling) ska vara placerat inom synhåll och lättillgängligt från enheten. Detta är vanligt för kommersiella luftkonditioneringsanläggningar och värmepumpar. Det förhindrar fjärrstyrt oönskad utrustning och gör det möjligt att stänga av strömmen vid enheten under service.

3.6 INLEDANDE START AV ENHETEN

OBS

För att enheten ska värma poolen eller spaet måste filterpumpen köras för att cirkulera vatten genom värmeväxlaren.

Start up Procedure - Efter att installationen är klar, skall du följa dessa steg:

1. Slå på din filterpump. Kontrollera för vattenläckor och kontrollera flödet till och från poolen.
2. Slå på den elektriska strömförsörjningen till enheten och tryck sedan på tangenten ON / OFF på kabelregulatorn. Den bör starta om några sekunder.
3. Efter att ha kört några minuter, se till att luften som lämnar enhetens överkant (sida) är svalare (mellan 5-10 °C).
4. Under drift av enheten, om filterpumpen stängs av, bör enheten också stängas av automatiskt.
5. Låt enheten och poolpumpen gå 24 timmar per dag tills önskad temperatur på poolvattnet har uppnåtts. När vattentemperaturen når denna inställning kommer enheten att sakta ner under en tid, om temperaturen hålls i 45 minuter stängs enheten av. Enheten startas nu automatiskt igen (så länge poolpumpen är igång) när pooltemperaturen sjunker mer än 0,2 under inställd temperatur.

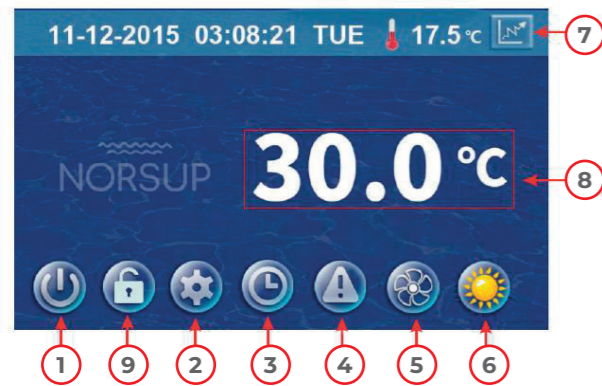
Tidsfördröjning - Enheten är utrustad med en 3 minuters inbyggd solid state restart-fördröjning inkluderad för att skydda styrkretsens komponenter och för att eliminera omstart cykel och kontaktor störningar. Denna tidsfördröjning kommer automatiskt att starta om enheten cirka 3 minuter efter varje styrkretsavbrott. Till och med ett kort strömavbrott kommer att aktivera fördröjningsstartfördröjningen på fast tillstånd 3 minuter och förhindra att enheten startar tills nedräkningen på 5 minuter är klar.

VÄRMEPUMP FÖR SIMBASSÄNG TYP PV

4. DRIFT OCH ANVÄNDNING

4.1 INTRODUKTION AV GRÄNSSNITT FÖR FÄRGSKÄRMTRÅDKONTROLLER

(1) Huvudgränssnitt



(2) Knappbeskrivning

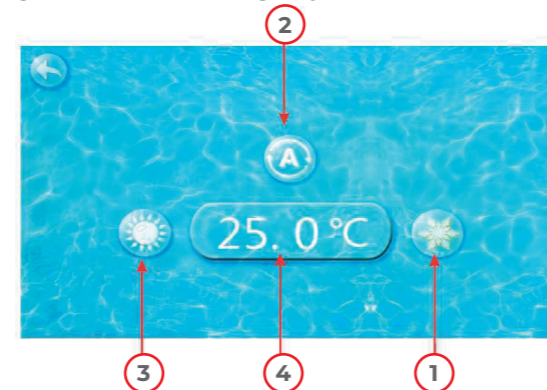
Nr.	NAMN	KNAPPFUNKTION
1	PÅ/AV	Tryck för att starta / stänga av enheten
2	Parameter	Klicka på den här knappen för att se enhetstillståndet och parametern
3	KLOCKA	Tryck för att ställa in klockan, timern på eller timern av. När timern startade är knappen grön
4	Felvisning	Klicka för att se felhistorik
5	Tyst inställning	Klicka för att slå på / stänga av tyst funktion och ställa in timing Låg hastighetsfunktion.
6	LÄGE	Klicka för att gå in i lägesinställning och mål temp. Inställningsgränssnitt
7	Temperatur kurva	Klicka för att se temp. och kraftkurva
8	Vatteninloppstemp	Klicka för att gå in i lägesinställning och mål temp. Inställningsgränssnitt
9	LÅS	Klicka för att låsa skärmen. Skriv in „22“ för att låsa upp skärmen genom att trycka på „låsknappen“

4.2 INTRODUKTION AV FÄRGSKÄRMTRÅDKONTROLLFUNKTION

(1) Starta och stänga av
Som visas i figur 1.1: I avstängningsstatus, klicka på **1**, så startas enheten I startstatus klickar du på **1** och sedan stängs enheten av.

(2) Lägesomkopplare och mål temperatur inställning

(2.1) lägesomkopplare
I huvudgränssnittet, klick läge-knapp eller inställningsknapp för inloppsv-attentemperatur, gränssnittet visas enligt följande:



Klicka på kyl läges-knappen **1**, knappen för automatiskt läge **2** eller knappen för uppvärmningsläge **3** så kan du välja motsvarande läge. Obs! När enheten är konstruerad för enstaka automatiska lägen eller ett enda termiskt läge, kan inte läget växlas.

(2.2) Mål temp. miljö
Klicka på knappen för temperaturinställning **4**, du kan ställa in måltemperaturen.

VÄRMEPUMP FÖR SIMBASSÄNG TYP PV

(3) Klockinställning
Klicka på klockan Inställningar i huvudgränssnittet, gränssnittet visas på följande sätt:



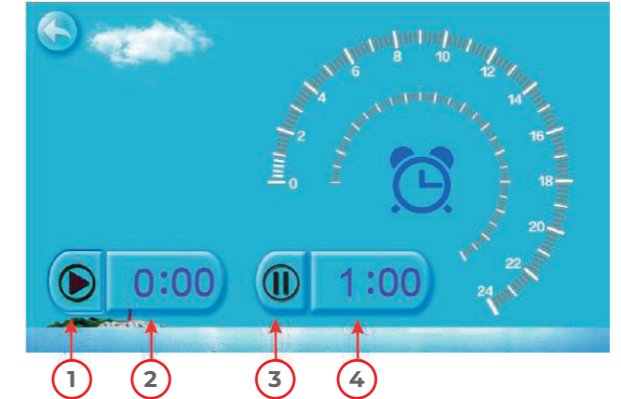
(3.1) Tidsinställning
Klicka på knappen Inställningar för tid **1**, gränssnittet visas enligt följande:



Klicka på värdet för att ställa in tid direkt, klicka på bekräfta-knappen för att spara inställningarna
Exempel: inställnings tid: 30-11-2016 16:00:00, ingång 30 11 16 16 00 00, tidsändringen och klicka sedan på bekräfta-knappen.

Obs! Om inmatningsformatet inte är korrekt sparas fel tid genom att klicka på bekräfta-knappen.

(3.2) Funktionen för tidsinställning
Klicka på tidsinställningsknappen **2** för att ange tidsinställningsgränssnittet.



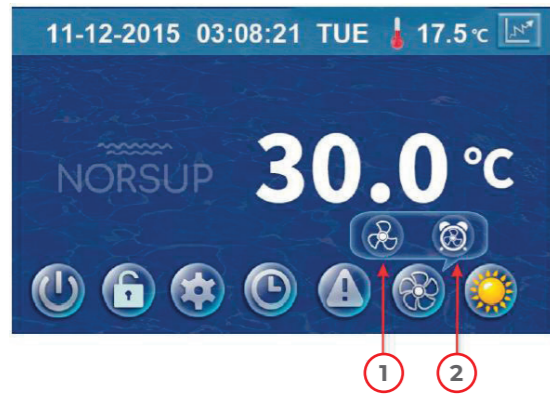
Nr.	NAMN	KNAPP-FÄRG	KNAPPFUNKTION
1	Tidtabell	- Start: grön - Stopp: grått	Klicka på den här knappen för att starta eller avsluta timing startinställningsfunktion
2	Tidpunkt för inställning		Klicka för att ställa in starttid för tidpunkten
3	Timer slutknapp	- Öppen: röd - Stopp: grått	Klicka på den här knappen för att starta eller avsluta timing slutinställningsfunktion
4	Timing off setting		Klicka för att ställa in sluttiden för tidpunkten

VÄRMEPUMP FÖR SIMBASSÄNG TYP PV

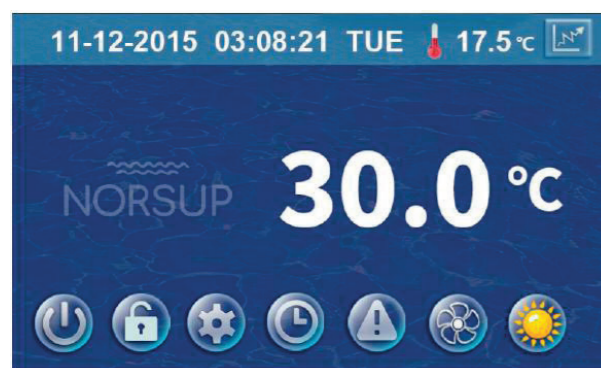


När timern startade är klockknappen grön i huvudgränssnittet.

(4) Tyst inställning och tyst tidsinställning
Klicka på den tysta inställningsknappen så visas gränssnittet enligt följande:



(4.1) Den tysta knappen
Klicka på den tysta knappen **1**, enheten går in i tyst läge och gränssnittet visas på följande sätt:



Klicka på den tysta knappen **1** igen för att lämna det tysta läget.

(4.2) Inställning av tyst timing funktion
Klicka på timing tyst knapp **2**, och gränssnittet visas enligt följande:

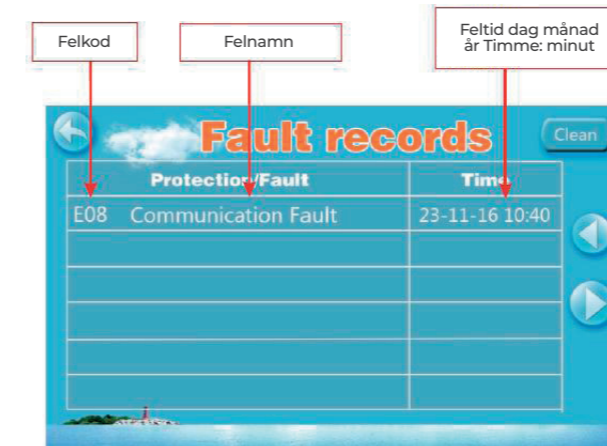


Nr.	NAMN	FÄRG	FUNKTION
1	Timing tyst av	Används: röd Oanvänd: grå	Klicka för att använda eller oanvända timing off-funktionen
2	Timing tyst på	Använd: grönt Oanvänd: grå	Klicka för att använda eller använda användning av timing på funktion
3	Timer tyst starttid		Klicka på den här knappen för att ställa in timingen för tyst starttid
4	Timer tyst sluttid		Klicka på den här knappen för att ställa in timer för tyst sluttid

Inställningsvärdet för starttid och sluttid måste ligga inom intervallet 0:00 -23: 00, och inställningsvärdet kan vara exakt till timmesiffran. Exempel ovan klickar du på „ON“ för att använda tyst timing, enheten kommer att starta tyst på 0:00 poäng och slutar vid 4:00; klicka på „OFF“ för att använda timern tyst, men om enheten är i tyst läge för timing kommer den att avsluta tyst timing omedelbart

VÄRMEPUMP FÖR SIMBASSÄNG TYP PV

(5) Felets historik
I huvudgränssnittet klickfelvisningsnyckel visas gränssnittet enligt följande:

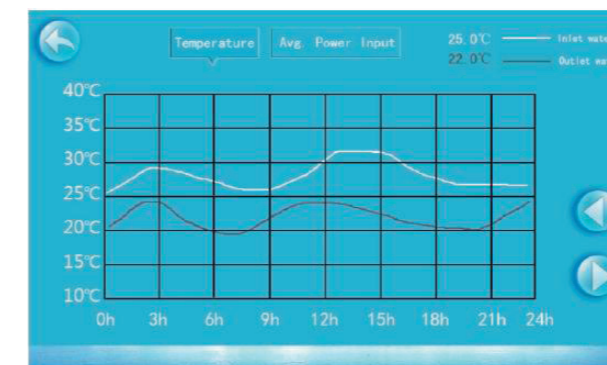


Om inget fel uppstår, visar huvudgränssnittet statisk "▲". När fel uppstår, blinkar felikonen mellan "▲" "▲", felgränssnittet registrerar tid, kod, felets namn. Efter felsökning, om du inte kontrollera felregistret efter felsökning, huvudgränssnittet visar statisk "▲"; om du kontrollerar felregistreringen, kommer huvudgränssnittet att visa statisk "▲";

Felmeddelandet är i omvänd ordning, enligt händelsetiden. Tryck på "Clean" -tangenter, du kan radera felregistret.

(6) Temperaturkurva
I huvudgränssnittet klickar du på knappen för kurvvisning, gränssnittet visas enligt följande:

(6.1) Kurvan för temperaturregistrering är följande:



(6.2) Den genomsnittliga effektkurvan



Temperaturkurvan uppdateras automatiskt varannan timme, och kurvposten kan lagras i 60 dagar; Börja från den senaste sparade tidskurvan, om strömmen är av och kurvdatainsamlingstiden är mindre än en timme sparas inte data under denna period;

VÄRMEPUMP FÖR SIMBASSÄNG TYP PV

4.3 PARAMETERLISTA OCH UPPDELNINGSTABELL

(1) Felstabelle för elektronisk styrning

Kan bedömas enligt fjärrkontrollens felkod och felsökning

Skydda / fel	Felvisning	Orsak	Elimineringsmetoder
Standby	Ingen		
Normal start	Ingen		
Inlopps temperatur Givar fel	P01	Temp. Sensorn är trasig eller kortsluten	Kontrollera eller ändra temp. Givare
Utlopps temp. Givar fel	P02	Temp. Sensorn är trasig eller kortsluten	Kontrollera eller ändra temp. Givare
Omgivande temp Givar fel	P04	Temp. Sensorn är trasig eller kortsluten	Kontrollera eller ändra temp. Givare
Spole Temp. Givar fel	P05	Temp. Sensorn är trasig eller kortsluten	Kontrollera eller ändra temp. Givare
Sug temp. Givar fel	P07	Temp. Sensorn är trasig eller kortsluten	Kontrollera eller ändra temp. Givare
Utsläppstemperatur Givar Fel	P081	Temp. Sensorn är trasig eller kortsluten	Kontrollera eller ändra temp. Givare
Högtrycksskydd.	E01	Högtryckskontakten är trasig	Kontrollera tryckomkopplaren och kallkretsen
Lågtrycksskydd.	E02	Lågtryck1 skydd	Kontrollera tryckomkopplaren och kallkretsen
Flödesvaktskydd	E03	Inget vatten / lite vatten i vattensystemet	Kontrollera rörets vattenflöde och vattenpump
Frysskydd	E07	Vatten flödet är ej tillräckligt	Kontrollera rörets vattenflöde och om vattensystemet har fastnat eller inte
Primärt Frysskydd	E19	Den omgivande temp. Är lågt	
Sekundärt Frysskydd	E29	Den omgivande temp. Är lågt	
Inlopps- och utloppstemp. för stor	E06	Vatten flödet är ej tillräckligt och lågt differensstryck	Kontrollera rörets vattenflöde och om vattensystemet har fastnat eller inte
Låg temperaturskydd	Non	Miljö temp. är låg	
Komp. Överströmsskydd	E051	Kompressorn är överbelastad	Kontrollera om kompressorsystemet fungerar normalt
Frånluft över Temp Skydd	P082	Kompressorn är överbelastad	Kontrollera om kompressorsystemet fungerar normalt
Kommunikations fel	E08	kommunikationsfel mellan trådbunden styrenhet och moderkort	Kontrollera kabelanslutningen mellan fjärrkontrollen och huvudkortet
Frostskydds temp. Givar fel	P09	frostskydds-temperatursensorn är trasig eller kortsluten	kontrollera och byt ut denna temp-sensor
Frysskydd för vattendrag	E05	vattentemp. eller omgivningstemperatur. är för låg	
EC-fläktens feedback Fel	F051	Det är något fel med fläktmotorn och fläktmotorn slutar gå	Kontrollera om fläktmotorn är trasig eller låst eller inte
Trycksensor Fel	PP	Trycksensorn är trasig	Kontrollera eller ändra trycksensorn eller trycket
Fläktmotor1 Fel	F031	1. Motorn är i låst rotortillstånd 2. Trådanslutningen mellan DC-fläktmotormodulen och fläktmotorn är i dålig kontakt	1. Byt till en ny fläktmotor 2.Kontrollera kabelanslutningen och se till att de är i god kontakt
Fläktmotor2 Fel	F032	1. Motorn är i låst rotortillstånd 2. Trådanslutningen mellan DC-fläktmotormodulen och fläktmotorn är i dålig kontakt	1. Byt till en ny fläktmotor 2.Kontrollera kabelanslutningen och se till att de är i god kontakt
Kommunikations fel (hastighetskontrollmodul)	E081	Hastighetsstyrmodul och kommunikation på huvudkortet misslyckas	Kontrollera kommunikationsanslutningen

VÄRMEPUMP FÖR SIMBASSÄNG TYP PV

FELTABELL FÖR FREKVENSOmvandlingskort

Skydda / fel	Felvisning	Orsak	Elimineringsmetoder
Drvl MOP-larm	F01	MOP-drivlarm	Återhämtning efter 150-talet
Inverterare off-line	F02	Frekvensomvandling kort och huvudkortet kommunikationsfel	Kontrollera kommunikationsanslutningen
IPM-skydd	F03	IPM modulskydd	Återhämtning efter 150-talet
Komp. Driver fel	F04	Saknar fas, steg eller driv hårdvara skador	Kontrollera mätspänningen Kontrollera hårdvara för frekvensomvandlingskort
DC-fläktfel	F05	Motorströmåterkoppling öppen krets eller kortslutning	Kontrollera om de aktuella returkablar är anslutna till motor
IPM överström	F06	IPM-ingångsströmmen är stor	Kontrollera och justera den aktuella mätningen
Inv. DC överspänning	F07	DC-busspänning> DC-buss överspänningsskyddsvärde	Kontrollera mätningen av ingångsspänningen
Inv. DC Mindre spänning	F08	DC-busspänning> DC-buss överspänningsskyddsvärde	Kontrollera mätningen av ingångsspänningen
Inv. Ingång Mindre spänning.	F09	Ingångsspänningen är låg, vilket orsakar att ingångsströmmen är hög	Kontrollera mätningen av ingångsspänningen
Inv. Ingångsspänning för hög	F10	Ingångsspänningen är för hög, mer än strömavbrottströmmen RMS	Kontrollera mätningen av ingångsspänningen
Inv. Provtagnings Spänning	F11	Fel på insamlingsspänningen	Kontrollera och justera den aktuella mätningen
Kom. Fel DSP-PFC	F12	DSP och PFC anslutningsfel	Kontrollera kommunikationsanslutningen
Ingångsström för hög	F26	Utrustningsbelastningen är för stor	
PFC fel	F27	PFC-kretsskyddet	Kontrollera PFC-omkopplarrörets kortslutning eller inte
IPM Överhettning	F15	IPM-modulen är överhettad	Kontrollera och justera den aktuella mätningen
Svag magnetisk varning	F16	Kompressorns magnetiska kraft räcker inte	
Inv. Inmatningsfas	F17	Ingångsspänningen förlorad fas	Kontrollera och mät spänningsjusteringen
IPM-samlingsström	F18	IPM-sampling el är fel	Kontrollera och justera den aktuella mätningen
Inv. Temp. Prob fel.	F19	Sensorn är kortslutning eller öppen krets	Inspektera och byt ut givaren
Inverter överhettning	F20	Givaren är överhettad	Kontrollera och justera den aktuella mätningen
Inv. Överhettning Varning	F22	Givarens temperatur är för hög	Kontrollera och justera den aktuella mätningen
Komp. Överström Varning	F23	Kompressor el är hög	Kompressorns överströmsskydd
Ingångsström för hög Varning	F24	Ingångsströmmen är för stor	Kontrollera och justera den aktuella mätningen
EEPROM-fel Varning	F25	MCU fel	Kontrollera om chipet är skadat Byt ut kretsen
V15V över- / underspänningsfel	F28	V15V är överbelastning eller underspänning	Kontrollera V15V-ingångsspänningen inom området 13,5v ~ 16,5v eller inte

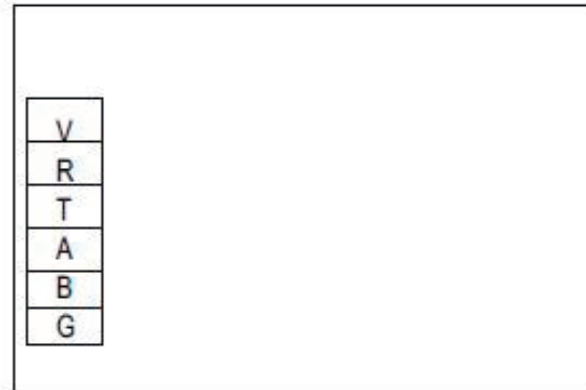
(2) Parameter lista

Betydelse	Standard	Anmärkingar
Börvärde för kylmåltemperatur	28°C	Justerbar
Börvärde för uppvärmning måltemperatur	28°C	Justerbar
Automatiskt börvärde för måltemperatur	27°C	Justerbar

VÄRMEPUMP FÖR SIMBASSÄNG TYP PV

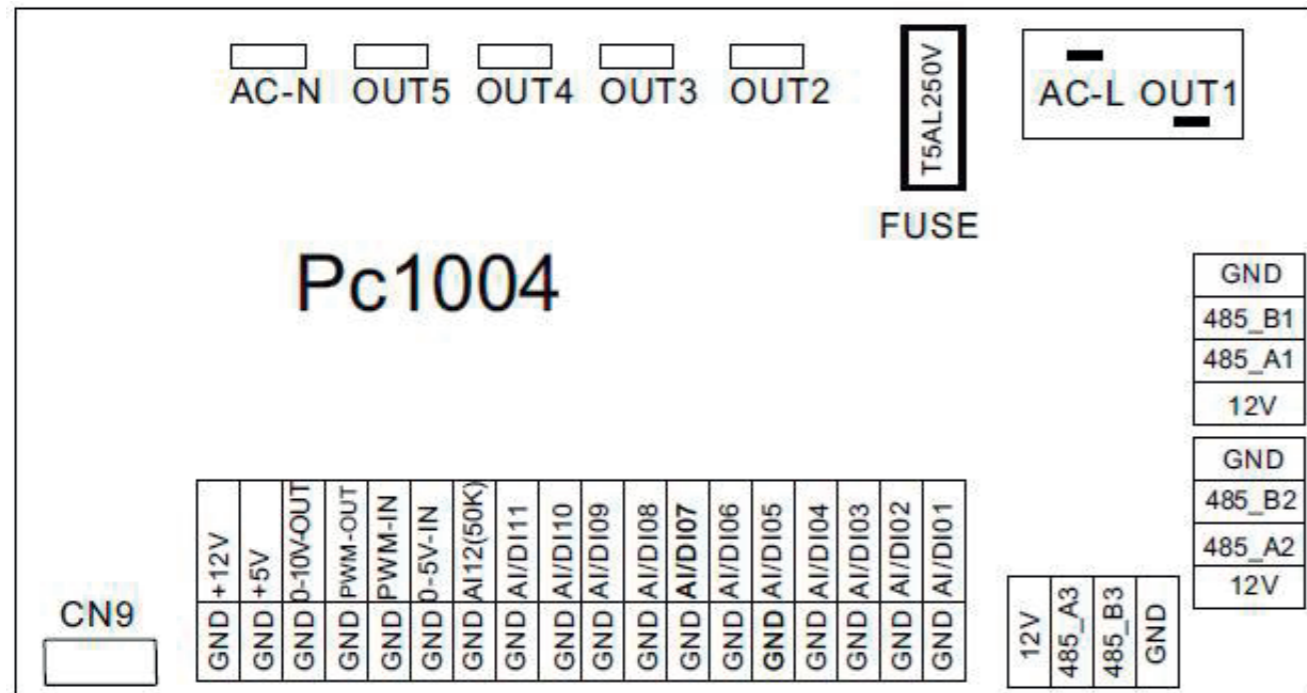
4.4 GRÄNSSNITTSDRAGNING

(1) Gränssnittsdiagram för trådkontroll och definition



Skylt	Betydelse
V	12V (effekt +)
R	Ingen användning
T	Ingen användning
A	485A
B	485B
G	GND (effekt-)

(2) Controller gränssnittsschema och definition



VÄRMEPUMP FÖR SIMBASSÄNG TYP PV

Moderkortet i in- och utgångsgränssnitt instruktionerna nedan

Nummer	Skylt	Betydelse
01	OUT1	Kompressor (utgång 220-230VAC)
02	OUT2	Vattenpump (utgång 220-230VAC)
03	OUT3	4-vägsventil (utgång 220-230VAC)
04	OUT4	Hög hastighet på fläkten (utgång 220-230VAC)
05	OUT5	Låg hastighet på fläkten (utgång 220-230VAC)
06	AC-L	Spänningsatt kabel (ingång 220-230VAC)
07	AC-N	Neutral tråd (ingång 220-230VAC)
08	AI/DI01	Nödbrytare ingång
09	AI/DI02	Vattenflödesbrytare ingång
10	AI/DI03	System lågtrycksingång
11	AI/DI04	Systemets högtrycksingång
12	AI/DI05	Inmatning av systemets sugtemperatur
13	AI/DI06	Vatten ingångs temperatur
14	AI/DI07	Vattenutgångstemperatur (ingång)
15	AI/DI08	Systemfläktens spole temperaturingång
16	AI/DI09	Omgivningstemperaturingång
17	AI/DI10	Lägesomkopplaringång
18	AI/DI11	Master-slavmaskinomkopplare / frostskydds-temperaturingång
19	AI12(50K)	System ingång för avgastemperatur
20	0_5V_IN	Kompressorströmdetektering / Trycksensor (ingång)
21	PWM_IN	Master-slavmaskinomkopplare / Feedback-signal för EC fläkt (ingång)
22	PWM_OUT	AC-fläktkontroll (utgång)
23	0_10V_OUT	EC-fläktkontroll (utgång)
24	+5V	+5V (utgång)
25	+12V	+12V (utgång)
26	GND	
27	485_B1	Frekvensomvandling krets kommunikation
28	485_A1	
29	12V	
30	GND	
31	485_B2	Färgledningskommunikation
32	485_A2	
33	12V	
34	CN9	Elektronisk expansionsventil
35	GND	
36	485_B3	Porten för centraliserat styrsystem
37	485_A3	
38	12V	

EN

NL

DE

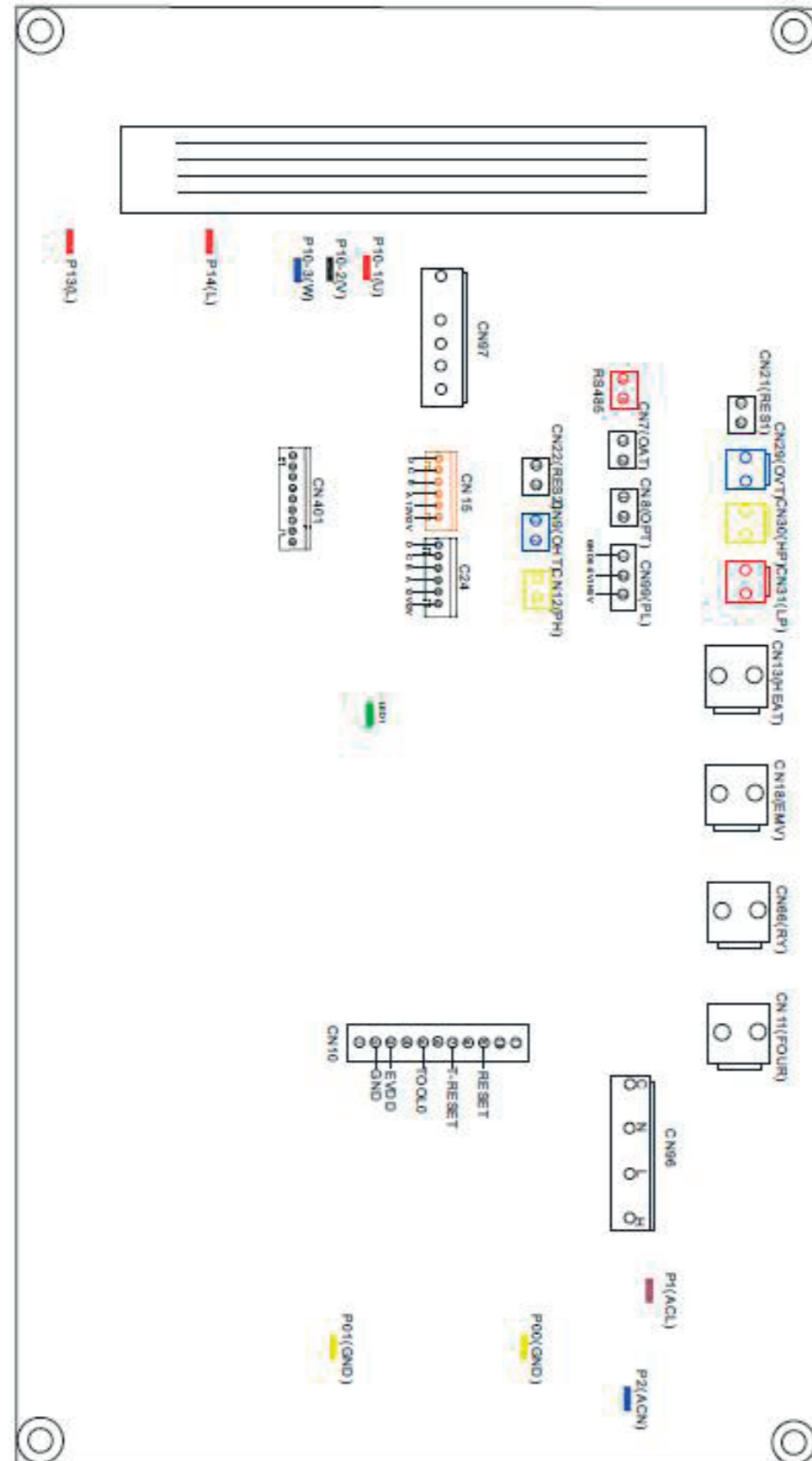
FR

DK

SE

VÄRMEPUMP FÖR SIMBASSÄNG TYP PV

Controller gränssnittsschema och definition



VÄRMEPUMP FÖR SIMBASSÄNG TYP PV

Moderkortet i in- och utgångsgränssnitt instruktionerna nedan

Nummer	Skylt	Betydelse
01	P10-(U)	Kompressor (utgång 220-230VAC)
02	P10-(V)	
03	P10-(W)	
04	CN18(EMV)	Vattenpump (utgång 220-230VAC)
05	CN13(HEAT)	4-vägsventil (utgång 220-230VAC)
06	CN96(H)	Hög hastighet på fläkten (utgång 220-230VAC)
07	CN96(L)	Låg hastighet på fläkten (utgång 220-230VAC)
08	P1(AC-L)	Spänningsatt kabel (ingång 220-230VAC)
09	P2(AC-N)	Neutral tråd (ingång 220-230VAC)
10	CN99(PL)	Trycksensor
11	CN29(OVT)	Vattenflödesbrytare (ingång)
12	CN30(HP)	Högtrycksbrytare (ingång)
13	CN31(LP)	Lågtrycksbrytare (ingång)
14	CN7(OAT)	Systemets sugtemperatur (ingång)
15	CN21(RES1)	Vatteninmatningstemperatur (ingång)
16	CN22(RES2)	Vattenutgångstemperatur (ingång)
17	CN8(OPT)	Systemfläktstemperatur (ingång)
18	CN12(PH)	Omgivningstemperatur (ingång)
19	CN9(OHT)	System Avgastemperatur (ingång)
20	PO0(GND)	Jordtråd
21	P01(GND)	Jordtråd
22	P13(L) P14(L)	Elektrisk reaktor
23	R485(B) R485(A)	Färg line controller för kommunikation
24	CN15	Elektronisk expansionsventil

EN

NL

DE

FR

DK

SE

VÄRMEPUMP FÖR SIMBASSÄNG TYP PV

5. MAINTENANCE AND INSPECTION

Kontrollera enheten för vattenförsörjningen och utsläppet ofta. Se upp så att inget vatten eller luft trängen in i systemet eftersom detta kommer att påverka enhetens funktion och tillförlitlighet. Rensa regelbundet pool- / spa-filtret för att undvika skador på enheten som ett resultat av smutsiga eller igentäppta filter.

Området runt enheten måste vara torrt, rent och väl ventilerat. Rengör värmeväxlaren på sidan regelbundet för att bibehålla en god värmeväxling och för att spara energi.

Driftstrycket på kylsystemet bör endast servas av en certifierad tekniker.

Kontrollera ofta strömförsörjningen och dess kabelanslutning. Om enheten börjar fungera onormalt så måste du stänga av den och kontakta en behörig tekniker.

Släpp ut allt vatten från vattenpumpen och vattensystemet för att undvika att vatten fryser i pumpen eller vattensystemet. Töm ut vattnet från botten av vattenpumpen om du inte skall använda den på ett längre tag. Kontrollera enheten noggrant och fyll på systemet med vatten helt innan du använder den för första gången.

Kontroll av området

Innan man börjar arbeta på system som innehåller brandfarliga kylmedel, måste säkerhetskontroller utföras för att minimera risken för antändning. Vid reparation av kylsystemet ska följande försiktighets-åtgärder utföras innan arbetet startat på systemet.

Arbetsprocedur

Arbetet skall utföras med en kontroll procedur för att minimera risken att eldfarlig gas eller ånga finns närvarande när arbete utförs.

Allmänt arbetsområde

All underhållspersonal och andra som arbetar i det lokala området skall bli instruerade om typen av arbete som utförs. Arbete i trånga utrymmen ska undvikas. Arbetsområdet skall vara avspärrat. Se till att förhållandena i området har gjorts säkra genom kontroll av det eldfarliga materialet.

Kontrollera om det finns kylmedel närvarande

Området ska kontrolleras med en lämplig kylmedelsdetektor för och under arbetet så att teknikerns är medveten om möjliga brandfarliga atmosfärer. Kontrollera att läckedetektors utrustningen som används är lämplig att använda med eldfarliga kylmedel, dvs att den är ej gnistbildande, tillräckligt förseglad eller egensäker.

Närvaro av brandsläckare

Om något varmt arbete ska utföras på kyl enheten eller tillhörande delar, skall lämplig brandsläckningsutrustning finnas närvarande. Ha ett torrt pulver eller CO2 brandsläckare intill laddningsområdet.

Det får inte finnas några antändningskällor.

Ingen person som utför arbete i förhållande till ett kylsystem som innebär exponering av rör som innehåller eller har innehållit eldfarligt kylmedel får använda någon

antändningskälla på ett sådant sätt att det kan leda till eld eller explosion. Alla möjliga antändningskällor, inklusive cigarrettrökning, bör hållas tillräckligt långt borta från installationsområdet, reparationsområdet, flyttande eller avlägsnande material för att undvika att eldfarligt kylmedel släpps ut i atmosfären. Innan arbetet sker ska området kring utrustningen granskas för att vara säker på att det inte finns några eldfaror eller risk för antändning. "No Smoking" -skyltar ska visas.

ventilerat område

Se till att vara utomhus eller att området är tillräckligt ventilerat innan man går in i systemet eller utför något varmt arbete, En viss nivå av ventilation ska finnas under den tid som arbetet utförs. Ventilationen skall kunna på ett säkert sätt sprida ut all frisläppt kylmedel och helst ut i atmosfären.

Kontroll av kylutrustningen.

När elektriska komponenter byts ut, skall de vara lämpliga för användningen och ha korrekt specifikation. Vid alla tillfällen skall tillverkarens anvisningar för underhåll och service följas. Om du är osäker kontakta tillverkarens avdelning för tekniska frågor. De följande kontrollerna skall utföras på installationer som använder brandfarliga kylmedel: Laddningen storlek skall överensstämma med storleken på rummet där utrustningen med kylmedel finns installerat. Ventilations maskinen och utgångar skall arbete korrekt och skall inte vara förhindrade i sin funktion.

Om en indirekt kylrets används ska den sekundära kretsen bli kontrollerad för närvaron av kylmedel. Märkningen på maskinen skall fortsätta att vara synlig och läsbar. Märkningar och tecken som är oläsliga ska korrigeras; Kylrör eller komponenter ska vara installerade i ett läge där det är osannolikt att bli utsatta för någon substans som kan korrodera komponenter på kylutrustningen, såvida inte de är konstruerade av material som i sig är resistenta mot korrosion eller är på ett lämpligt sätt skyddade mot korrosion.

Kontroll av elektriska apparater

Reparation och underhåll av elektriska komponenter skall inkludera initiala säkerhetskontroller och procedurer för inspektion av komponenter. Om det finns ett fel som kan äventyra säkerheten ska ingen elektrisk strömförsörjning vara ansluten till några kretsar till dess felet är korrigerat. Om felet inte kan åtgärdas omedelbart men det trots det är nödvändigt att fortsätta driften skall en lämplig temporär lösning användas. Detta ska rapporteras till ägaren av utrustningen för att garantera att alla parter blir underrättade.

De första säkerhetskontrollerna ska omfatta:

- Att kondensatorer är urladdade: detta ska göras på ett säkert sätt för att undvika chansen av gnistbildning;
- Kontrollerar att det inte finns några spänningsförande elektriska komponenter och exponerade ledningar medan laddning, återställning eller tömning av systemet utförs.
- Kontrollera att jordledningen är hel.

VÄRMEPUMP FÖR SIMBASSÄNG TYP PV

Reparationer på förseglade komponenter.

- 1) Under reparationer på förseglade komponenter, skall all elektriska tillförseln kopplas bort från utrustningen som man arbetar på innan någon försegling tas bort. OM det är absolut nödvändigt att ha en elektrisk tillförsel aktiv till utrustningen under service skall en kontinuerlig läckagedetektering finnas på den mest kritiska punkten för att kunna varna för potentiella farliga situationer.
- 2) Särskild uppmärksamhet ska göras så att höljet inte modifieras på ett sådant sätt att det kan vara farligt vid arbete på elektriska komponenter. Detta ska omfatta skador på kablar, överdrivet antal anslutningar, terminaler som inte görs enligt originalspecifikationen, skador på tätningar, fe felaktig montering av förseglingar med mera.

Se till att apparaten är säkert placerad på plats.

Se till att tätningar eller tätningsmaterial inte har blivit sämre på ett sådant sätt att den inte uppfyller sitt syfte att förhindra inträngning av eldfarliga atmosfärer. Reservdelar skall finnas i enlighet med tillverkarens specifikationer.

NOTERA

Användning av silikontätning kan hämma effektiviteten hos några typer av utrustning för detektering av läckage. Egensäkra komponenter behöver inte isoleras före arbete som utförs på dem.

Reparation av egensäkra komponenter

Applicera inte permanenta induktiva eller kapacitiva belastningar på kretsen utan att säkerställa att detta inte överskrider den tillåtna spänningen och den ström som utrustningen kan använda. Egensäkra komponenter är de enda typerna som kan bearbetas medan de är aktiva i närvaro av en brandfarlig atmosfär. Testapparaten ska ha rätt nivå. Ersätt bara komponenter med reservdelar som är specificerade av tillverkaren. Användning av andra delar kan resultera i antändning av köldmedium i atmosfären från en läcka.

Kablage

Kontrollerar att kablagen inte kommer att utsättas för slitage, korrosion, överdrivet tryck, vibrationer, vassa kanter eller andra negativa miljöeffekter. Kontrollen ska också ta hänsyn till effekterna av åldrande eller kontinuerlig vibration från källor som kompressorer eller fläktar.

Detektering av brandfarliga kylmedel

Under inga omständigheter får potentiella källor till antändning användas för sökning eller detektering av läckor på kylmedlet. En halidacklare (eller någon annan detektor som använder en naken flamma) får inte användas.

Metoder för detektering av läckage

De följande metoderna för detektering av läckage anses acceptabla för system som innehåller brandfarliga kylmedel. Elektroniska läckagedetektorer ska användas för att detektera eldfarliga kylmedel, men tänk på att känsligheten kanske inte är tillräcklig eller att utrustningen kan behöva om kalibreras. (Detektionsutrustning ska kalibreras i ett område fritt från kylmedel.) Se till att detektorn inte

är en potentiell källa till antändning och är lämplig för det använda köldmediet. Detekteringsutrustning av läckage ska ställas in till en procentandel av kylmedlets LFL och ska kalibreras till det använda kylmedlet och den lämpliga procentandelen av gas (maximalt 25%) vilket skall bekräftas. Vätskor för detektering av läckage kan användas med de flesta kylmedel men användning av rengöringsmedel som innehåller klor ska undvikas eftersom klor kan reagera med kylmedlet och korrodera rörledningar gjorda av koppar... Om man misstänker en läcka ska alla nakna lågor tas bort / släckas. Om det upptäcks ett läckage av köldmedium som kräver hårdlödning, måste allt kylmedel återvinnas från systemet eller isolerad (genom att stänga av ventilerna) i en del av systemet som avlägset från läckaget. Syrefritt kväve (OFN) ska sedan spolas genom systemet både före och under processen med hårdlödningen.

Borttagning och evakuering

Vid ingång köldmediekretsen för att göra reparationer eller för andra ändamål ska konventionella procedurer användas. Det är dock viktigt att bästa praxis följs eftersom eldfarlighet måste beaktas. Följande förfarande ska följas:

- Ta bort kylmedlet;
- Rensa kretsen med inert gas;
- Evakuera;
- Rensa igen med inert gas;
- Öppna kretsen genom att klippa eller hårdlöda.

Det laddade kylmedlet ska återvinnas till de rätta återvinningscylindrarna. Systemet ska „spolas“ med OFN för att göra enheten säker. Denna process kan behöva upprepas flera gånger. Tryckluft eller syre får inte användas för denna uppgift. Spolning ska uppnås genom att bryta vakuuemet i systemet genom att fylla på med OFN och fortsätta att fylla tills arbetstrycket har uppnåtts, sedan frisläppa ut till atmosfären och slutligen minska ner till ett vakuu Denna process ska upprepas tills inget köldmedium finns kvar i systemet När den slutliga OF-laddningen används ska systemet ventileras till atmosfäriskt trycket så att normalt arbete kan utföras. Denna operation är absolut nödvändig om hårdlödning ska på rörledningarna. Se till att utloppet för vakuumpumpen inte finns i närheten till några antändningskällor och att det finns ventilation tillgängligt under arbete på rörledningar.

Märkning

Utrustningen ska märkas med uppgift om att den har tagits i drift och tömts från köldmedium. Etiketten ska vara daterad och signerad Se till att det finns etiketter på utrustningen som anger att utrustningen innehåller brandfarligt köldmedium.

VÄRMEPUMP FÖR SIMBASSÄNG TYP PV

Återvinning

Vid borttagning av köldmedium från ett system, antingen för service eller avveckling, så rekommenderas det att god practise följs så att allt kylmedel tas bort på ett säkert sätt. Vid överföring av kylmedium till cylindrar, se till att endast lämpliga återvinnings cylindrar används. Se till att det finns rätt antal cylindrar för att rymma den totala systemladdningen som finns närvarande. Alla cylindrar som ska användas skall vara avsedda för det återvunna kylmedlet och vara märkta för det kylmedlet (dvs specialcylindrar för återvinning av kylmedel).

Cylindrarna ska vara kompletta med tryckavlastnings ventiler och tillhörande avstängningsventiler i gott arbetande skick. Tomma återvinningscylindrar skall vara evakuerade och om möjligt nedkylda innan återvinning sker. Återvinningsutrustningen ska vara i gott skick tillsammans med en uppsättning instruktioner för den utrustning som finns till hands och ska vara lämplig för återvinning av brandfarliga kylmedel.

Dessutom ska en uppsättning kalibrerade vågar finnas tillgängliga och vara i gott skick. Slangarna ska vara kompletta med läck fria frånkopplingar och i ett gott skick. Innan användning av återvinningsmaskinen, kontrollera att den är i fungerade skick, har blivit korrekt underhållen och att tillhörande elektriska komponenter är förseglade för att förhindra någon antändning om det inträffar utsläpp av kylmedel, Kontakta tillverkaren om du är osäker. Det återvunna kylmedlet skall returneras till leverantören av kylmedlet i en korrekt återvinningscylinder och en relevant Note för returering av avfall skall finnas. Blanda inte kylmedel i återvinningsenheter och särskilt inte i cylindrar. Om kompressorer eller olja för kompressorer ska avlägsnas, se till att de har evakuerats till en acceptabel nivå för att säkerställa att brandfarligt köldmedium inte förblir i smörjmedlet. Evakuerings processen ska utföras innan kompressorn blir returnerad till leverantörerna. Elektrisk uppvärmning av kroppen till kompressorn får användas för att accelerera den processen. Olja skall dräneras på ett säkert sätt från systemet.

Avveckling

Innan denna procedur utförs är det viktigt att teknikern är helt bekant med utrustningen och alla dess detaljer. Det rekommenderas att följa god praxis för att återvinna alla kylmedel. Innan uppgiften utförs skall ett prov tas på olja och kylmedel före återanvändning av återvunnet kylmedel. Det är viktigt att elektrisk ström finns tillgängligt innan arbetet utförs.

- Bekanta dig med utrustningen och dess användning.
- Isolera systemet elektriskt.
- Innan du försöker proceduren, se till att:
 - Mekanisk hanteringsutrustning finns tillgänglig om nödvändigt för hantering av kylmedelscylindrar;
 - All personlig skyddsutrustning skall finnas tillgängligt och skall användas korrekt.
 - Återställningsprocessen skall alltid övervakas av en behörig person;
 - Återvinningsutrustning och cylindrar skall följa rekommenderade standarder.

- Minska trycket i kylmedelssystemet, om möjligt.
- Om ett vakuum inte är möjligt, gör ett grenrör så att kylmedlet kan avlägsnats från olika delar av systemet.
- Se till att cylindern sitter på vågen innan återvinningen utförs.
- Starta återvinningsmaskinen och kör i enlighet med tillverkarens anvisningar.
- Överfyll inte cylindrarna. (Högst 80% flytande laddnings volym)
- Överskrid inte cylinderns maximala arbetstryck, inte ens tillfälligt.
- När cylindrarna har fyllt korrekt och processen är avslutad, se till att cylindrar och utrustning tas bort genast från platsen och att alla isolerings ventiler på utrustningen är stängda.
- Återvunnet kylmedel får inte laddas i ett annat kylsystem om det inte har rengjorts och kontrollerats.

Laddningsförfaranden

Utöver konventionella laddningsförfaranden ska följande krav följas.

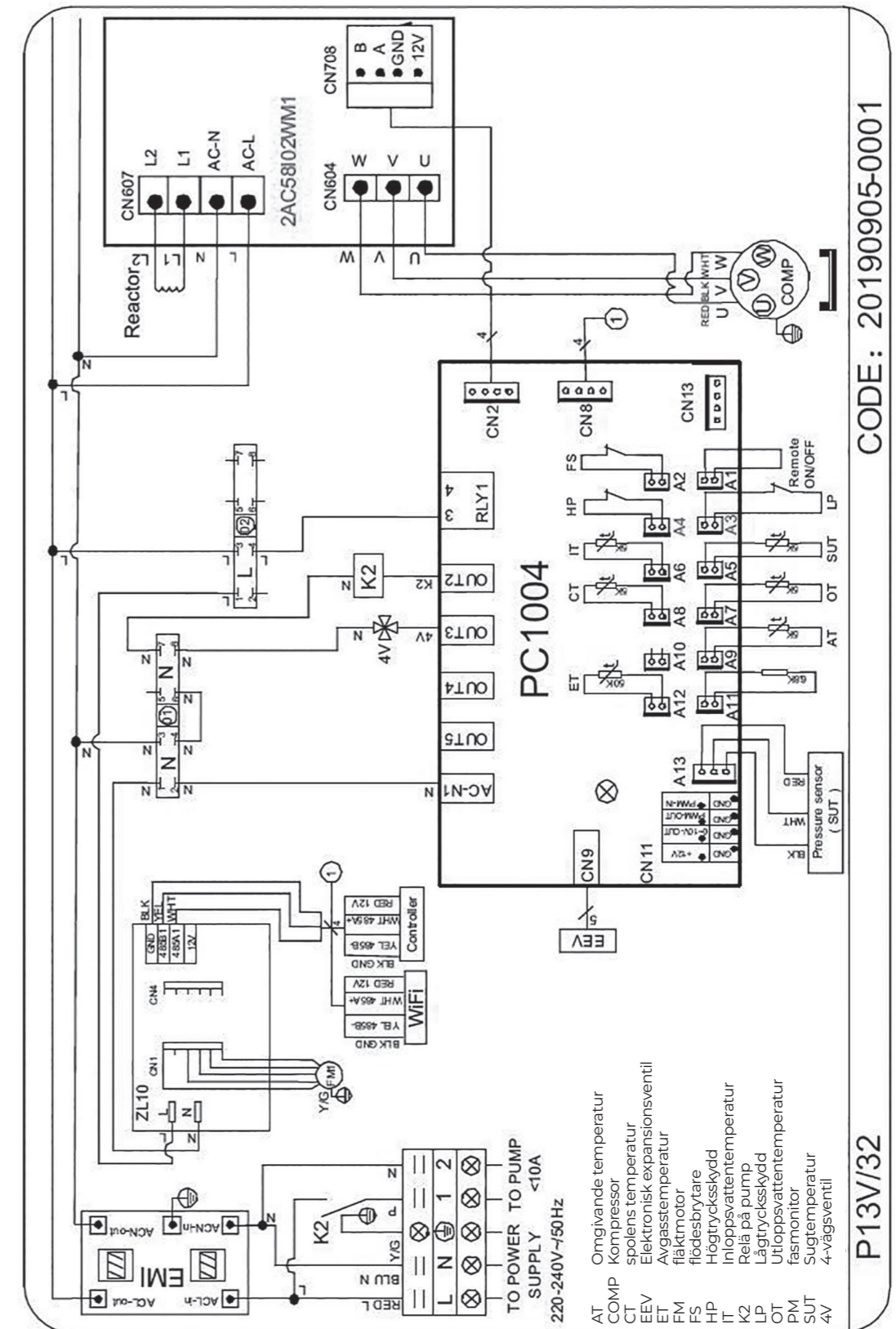
- Se till att kontaminering av olika köldmedier inte uppstår när du använder laddningsutrustning. Slangar eller ledningar ska vara så korta som möjligt för att minimera mängden av kylmedel som finns i dem.
- Cylindrar ska hållas upprätta.
- Se till att kylsystemet är jordat innan systemet laddas med kylmedium.
- Märk systemet när laddningen är klar om detta inte redan är gjort)
- Extrem försiktighet måste iakttas för att inte överfylla kylsystemet. Innan systemet laddas ska det tryck testas med OFN. Systemet ska testas för eventuellt läckage vid laddningens slut men innan det sätts i drift. Ett uppföljande test av läckage ska utföras innan platsen lämnas.

Säkerhets trådmodellen är 5*20_5A/250VAC.
Och måste uppfylla de explosionssäkra kraven

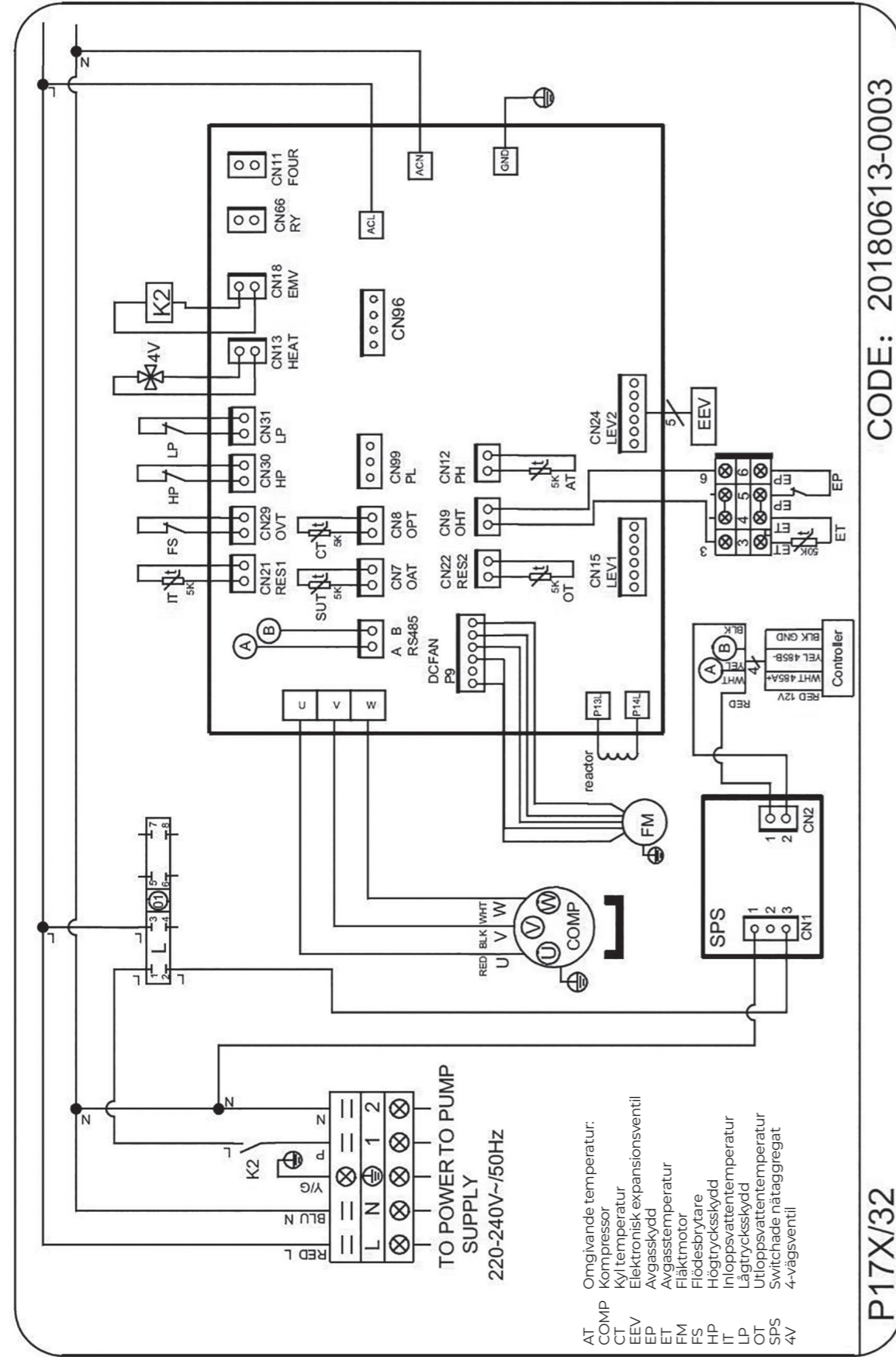
VÄRMEPUMP FÖR SIMBASSÄNG TYP PV

6. APPENDIX

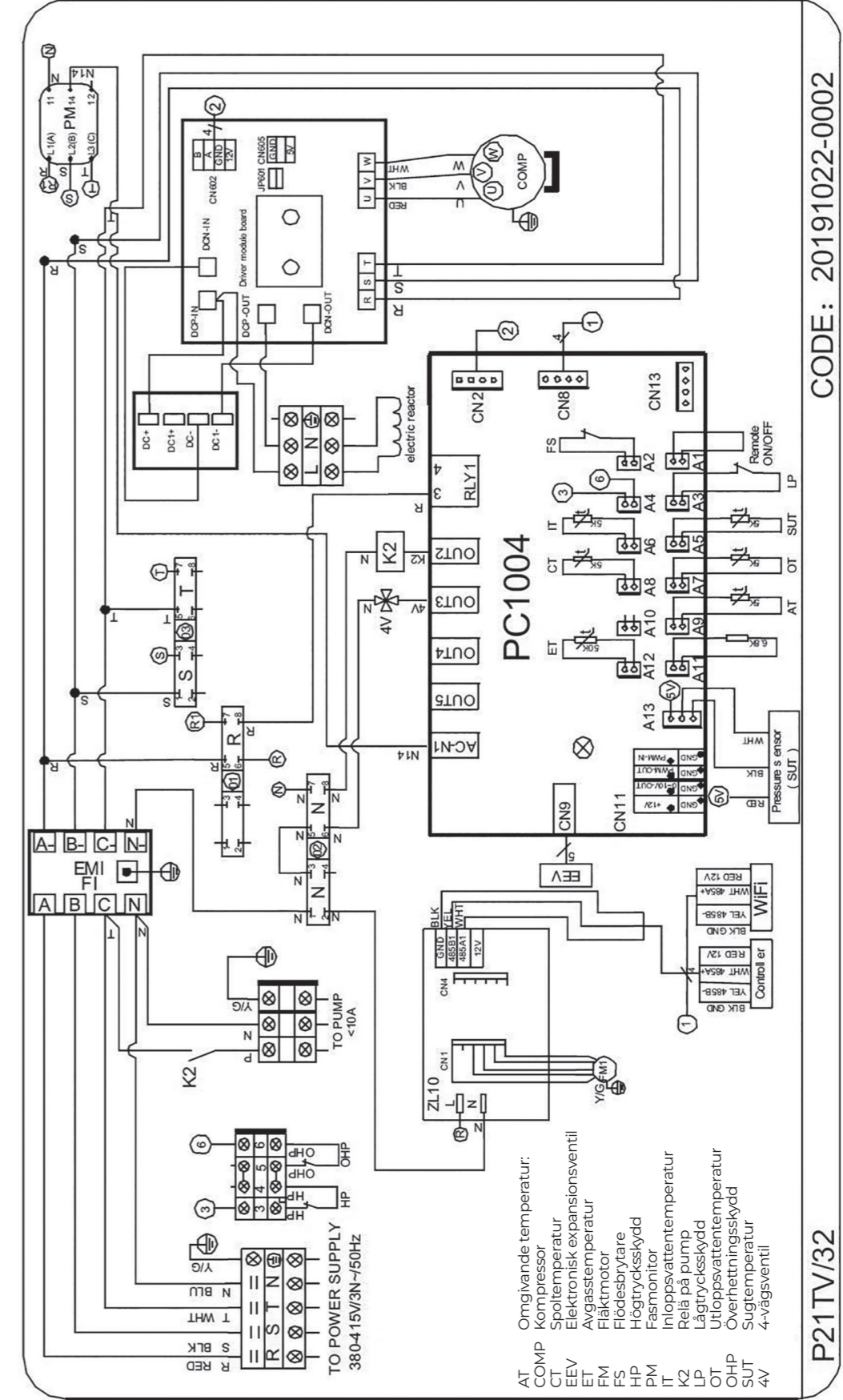
6.1 KRETS DIAGRAM



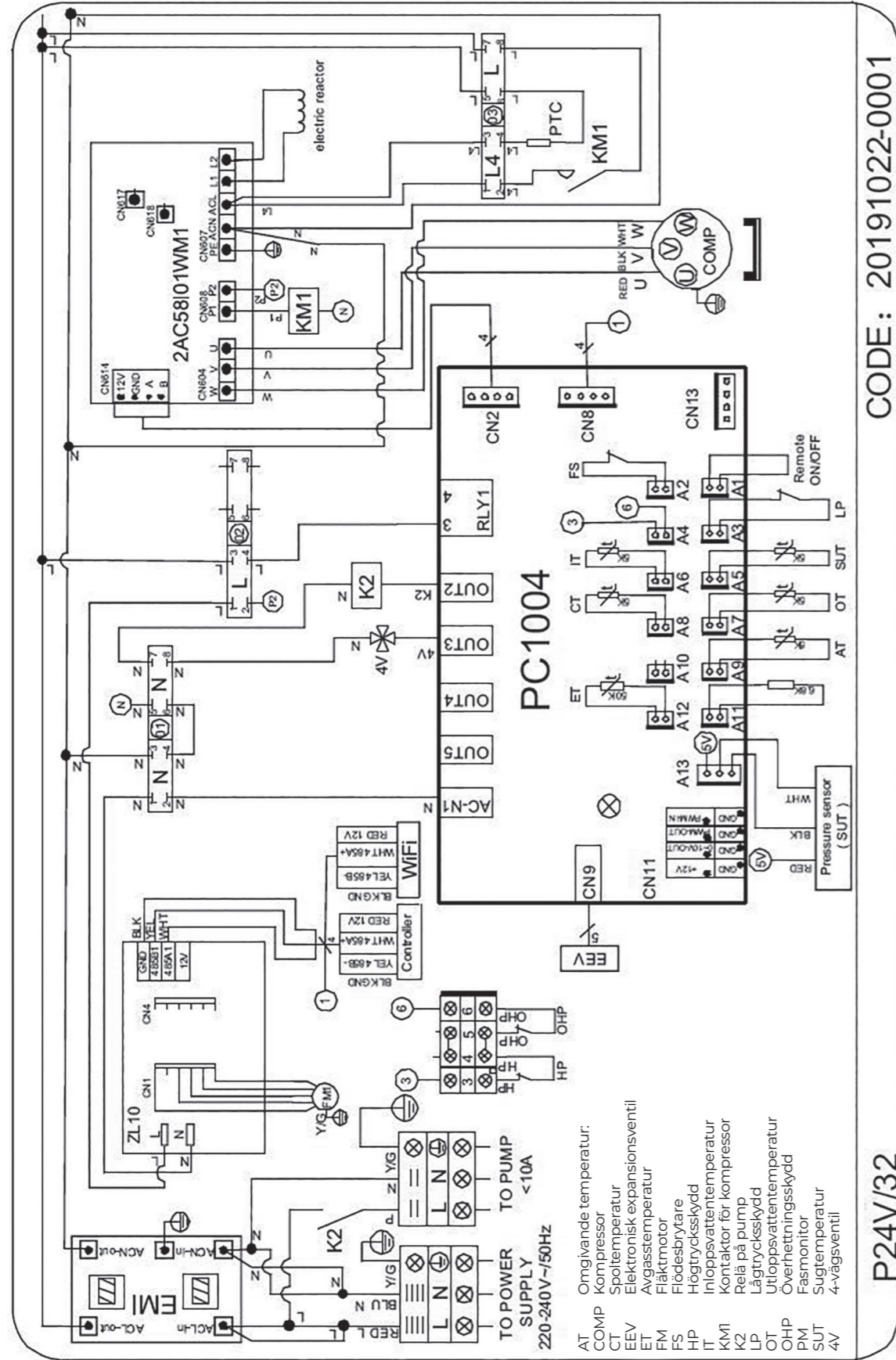
VÄRMEPUMP FÖR SIMBASSÄNG TYP PV



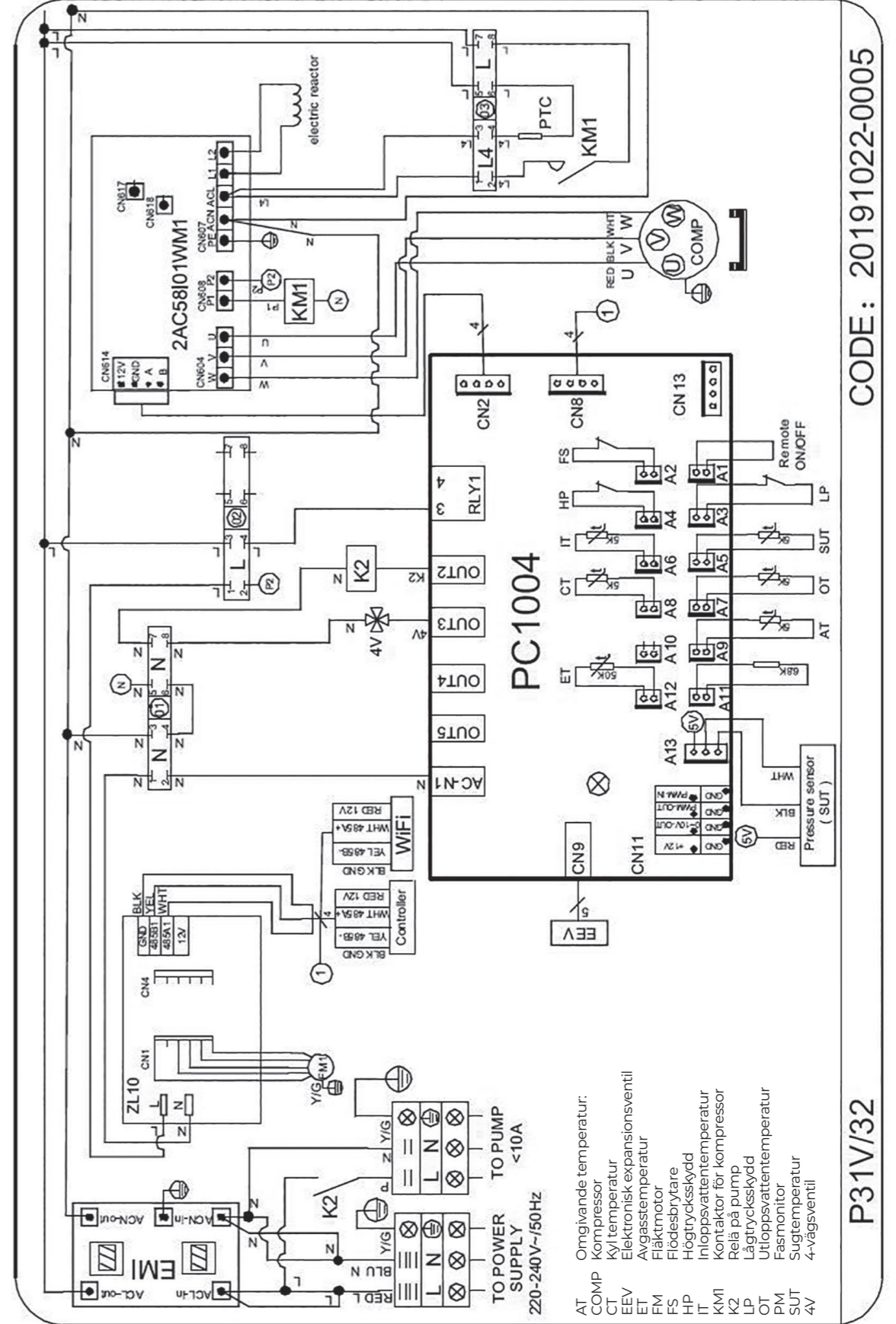
VÄRMEPUMP FÖR SIMBASSÄNG TYP PV



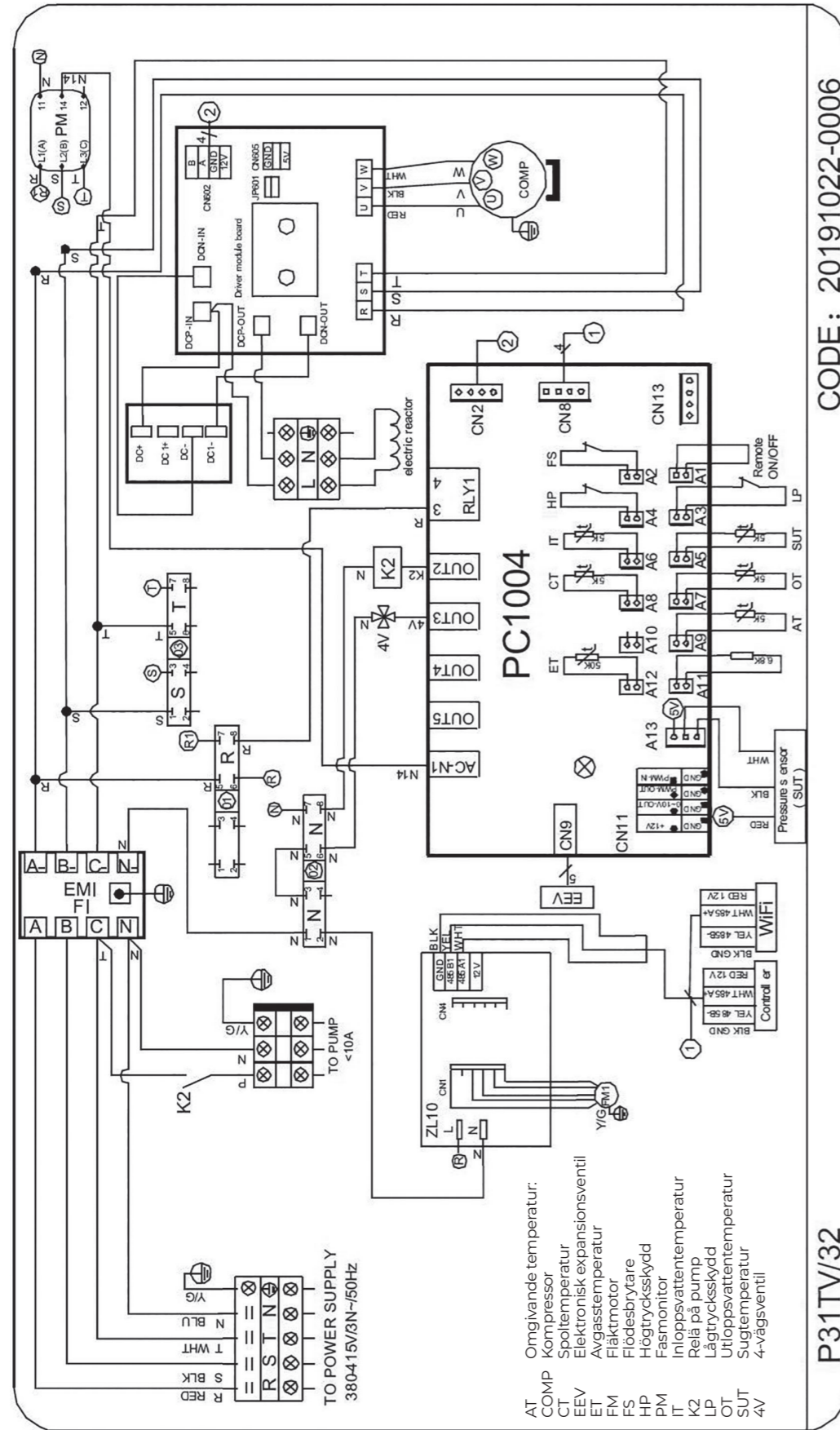
VÄRMEPUMP FÖR SIMBASSÄNG TYP PV



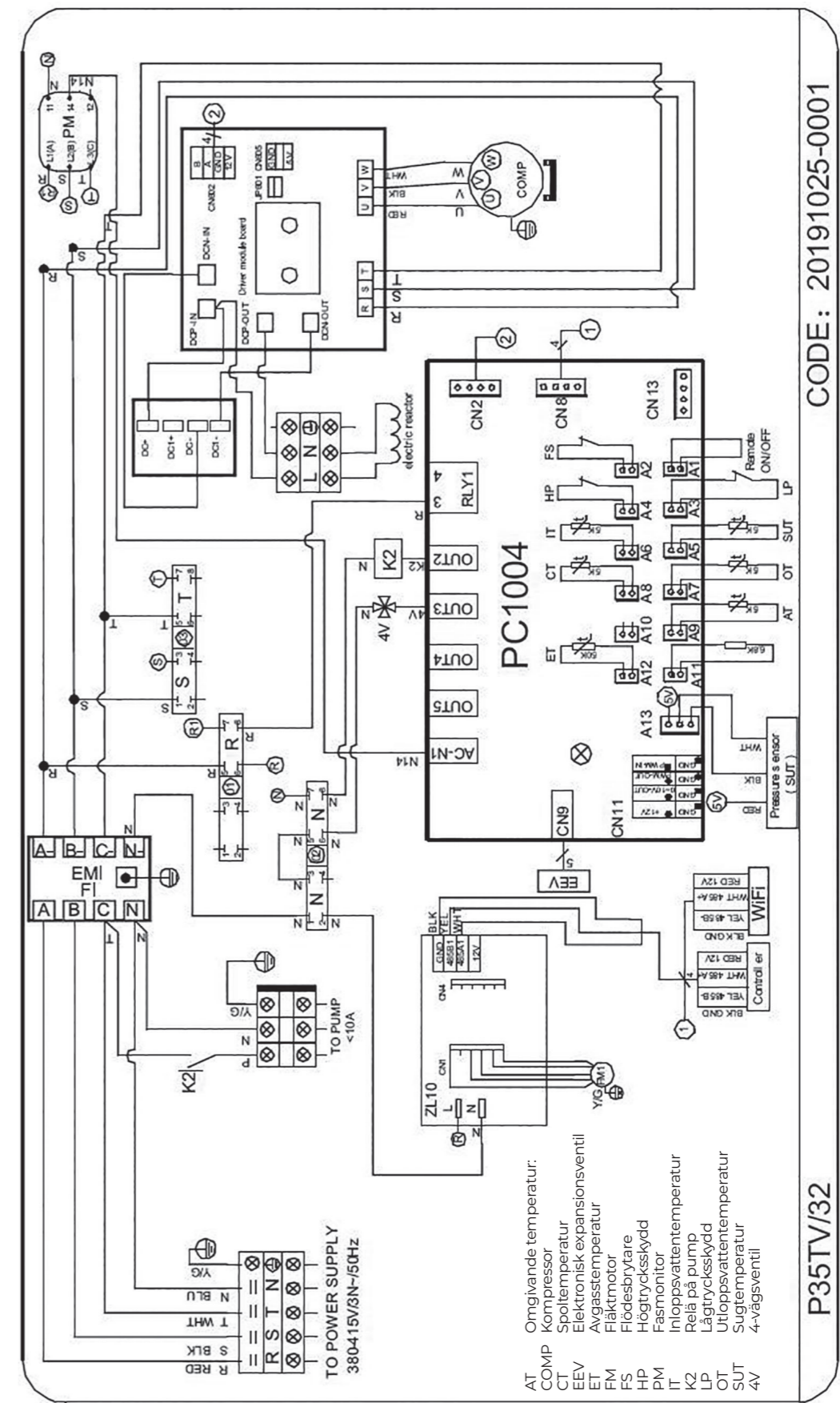
VÄRMEPUMP FÖR SIMBASSÄNG TYP PV



VÄRMEPUMP FÖR SIMBASSÄNG TYP PV



VÄRMEPUMP FÖR SIMBASSÄNG TYP PV



VÄRMEPUMP FÖR SIMBASSÄNG TYP PV

6.2 KABELSPECIFIKATION

(1) Enfas enhet

Märkskylt maximal ström	Faslinje	Jordlinje	MCB	Krypskydd	Signallinje
Inte mer än 10A	2x1.5mm ²	1.5mm ²	20A	30 mA mindre än 0,1 sek	n×0.5mm ²
10~16A	2x2.5mm ²	2.5mm ²	32A	30 mA mindre än 0,1 sek	
16~25A	2x4mm ²	4mm ²	40A	30 mA mindre än 0,1 sek	
25~32A	2x6mm ²	6mm ²	40A	30 mA mindre än 0,1 sek	
32~40A	2x10mm ²	10mm ²	63A	30 mA mindre än 0,1 sek	
40 ~63A	2x16mm ²	16mm ²	80A	30 mA mindre än 0,1 sek	
63~75A	2x25mm ²	25mm ²	100A	30 mA mindre än 0,1 sek	
75~101A	2x25mm ²	25mm ²	125A	30 mA mindre än 0,1 sek	
101~123A	2x35mm ²	35mm ²	160A	30 mA mindre än 0,1 sek	
123~148A	2x50mm ²	50mm ²	225A	30 mA mindre än 0,1 sek	
148~186A	2x70mm ²	70mm ²	250A	30 mA mindre än 0,1 sek	
186~224A	2x95mm ²	95mm ²	280A	30 mA mindre än 0,1 sek	

(2) Trefas enhet

Märkskylt maximal ström	Faslinje	Jordlinje	MCB	Krypskydd	Signallinje
Inte mer än 10A	3x1.5mm ²	1.5mm ²	20A	30 mA mindre än 0,1 sek	n×0.5mm ²
10~16A	3x2.5mm ²	2.5mm ²	32A	30 mA mindre än 0,1 sek	
16~25A	3x4mm ²	4mm ²	40A	30 mA mindre än 0,1 sek	
25~32A	3x6mm ²	6mm ²	40A	30 mA mindre än 0,1 sek	
32~40A	3x10mm ²	10mm ²	63A	30 mA mindre än 0,1 sek	
40 ~63A	3x16mm ²	16mm ²	80A	30 mA mindre än 0,1 sek	
63~75A	3x25mm ²	25mm ²	100A	30 mA mindre än 0,1 sek	
75~101A	3x25mm ²	25mm ²	125A	30 mA mindre än 0,1 sek	
101~123A	3x35mm ²	35mm ²	160A	30 mA mindre än 0,1 sek	
123~148A	3x50mm ²	50mm ²	225A	30 mA mindre än 0,1 sek	
148~186A	3x70mm ²	70mm ²	250A	30 mA mindre än 0,1 sek	
186~224A	3x95mm ²	95mm ²	280A	30 mA mindre än 0,1 sek	

Vid installation av enheten utom, använd en kabel som kan motstå UV-ljus.

6.3 JÄMFÖRELSETABELL FÖR KYLMEDEL TEMPERATUR

Tryck (MPa)	0	0.3	0.5	0.8	1	1.3	1.5	1.8	2	2.3
Temperatur (R410A)(°C)	-51.3	-20	-9	4	11	19	24	31	35	39
Temperatur (R32)(°C)	-52.5	-20	-9	3.5	10	18	23	29.5	33.3	38.7
Tryck (MPa)	2.5	2.8	3	3.3	3.5	3.8	4	4.5	5	5.5
Temperatur (R410A)(°C)	43	47	51	55	57	61	64	70	74	80
Temperatur (R32)(°C)	42	46.5	49.5	53.5	56	60	62	67.5	72.5	77.4



ANTECKNINGAR



Powered by

bosta bevo
bringing water to life


NORSUP
BRINGING WATER TO THE NEXT LEVEL